

**installation accessory, 324 mm
CVTFRONT10**



10 inch round blower plate allows for front discharge of Masterpiece® downdraft with inline or remote blowers

- EXTNCB25W 25-ft blower connector cable available, sold separately

Product group:Accessory
Brand:Thermador
Product name / series name:
SKU:CVTFRONT10
Internal article number:00000000011026322
EAN code:825225921202
Product Packaging Dimensions (HxWxD):2.20 x 13.49 x 13.40
Net Weight:1.000 lbs
Gross Weight:2.000 lbs
Quantity per packing unit:
Standard number of units per pallet:60
UPC code:825225921202



**installation accessory, 324 mm
CVTFRONT10**

10 inch round blower plate allows for front discharge of Masterpiece® downdraft with inline or remote blowers

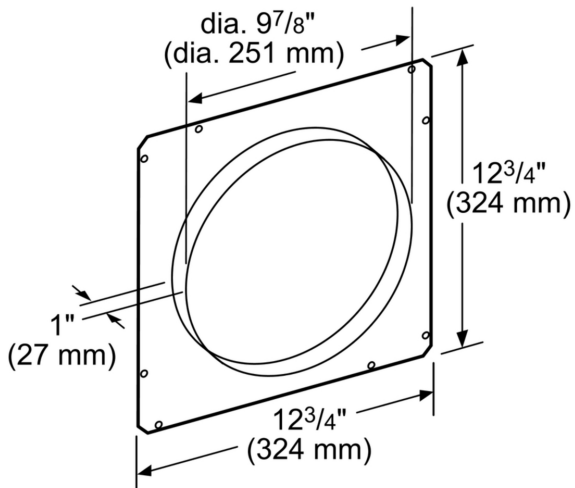
Performance

- For use with remote or inline blower applications

Design

- 10 inch round front rough-in plate
- Designed for use with UCVM30RS, UCVM36RS, UCVP36RS downdrafts

installation accessory, 324 mm
CVTFRONT10



measurements in inches (mm)