

MEDMCW31WS

30-INCH TRIPLE COMBINATION BUILT-IN OVEN WITH SPEED OVEN

MASTERPIECE® COLLECTION



FEATURES & BENEFITS

- ★ - First triple combination oven with speed oven in the market
- Designed for flexibility—standard or flush installation into kitchen cabinets
- Specially crafted gray glass on stainless steel for a luxurious look and finish
- Speed oven with microwave capability can broil and convection bake
- Large commercial style rotisserie with 12 pound capacity

ACCESSORIES (INCLUDED)

Upper Cavity: Metal Turntable, Rack, Ceramic Tray; Lower Cavity: 3 Telescopic Racks, Multi-point Meat Probe, Rotisserie

WARRANTY

Limited Warranty Parts and Labor	2 Year
----------------------------------	--------

GENERAL PROPERTIES

Heating Modes – Upper Cavity
 36 CookSmart® Auto Programs (including True Convection, Speed Convection, Broil, Convection Broil, Keep Warm) and Heating Programs and Microwave Programs

Heating Modes – Lower Cavity
 (16) Bake, Broil, Max Broil, Roast, Convection Bake, Convection Broil, Max Convection Broil, Convection Roast, Proof, Warm, Pizza, True Convection, Dehydrate, Speed Convection, Slow Roast, Rotisserie

Sabbath	Yes
Warming Drawer	Yes
Cleaning Type – Lower Cavity	Easy Clean and Self Clean
Telescopic Rack(s)	3
Illumination Type	Upper Cavity LED Lower Cavity Halogen
Interior Lights	Upper Cavity 1 Lower Cavity 2
Home Connect® (Wi-Fi Enabled)	Yes, Lower Oven Only

OVEN PERFORMANCE

Microwave Power	1,000 W
Bake / Broil Element	Upper Cavity 600 W / 1,750 W Lower Cavity 2,400 / 1,000 / 3,800 W
Convection Element	Upper Cavity 1,700 W Lower Cavity 2,000 W
Warming Drawer	450 W

TECHNICAL DETAILS

Watts	10,200 W
Circuit Breaker	50 A
Volts; Frequency	240 / 208 V; 60 Hz
Plug Type	Fixed Connection, No Plug
Conduit	60" 4-Wire
Energy Source	Electric

DIMENSIONS & WEIGHT

Overall Appliance Dimensions (HxWxD)	61 3/16" x 29 3/4" x 24 1/2"
Trim Overlaps (Top – Sides – Bottom)	1/2" – 9/16" – 0"
Required Cutout Size (HxWxD) – Standard	60 3/4" x 28 1/2" x 23 1/2"
Required Cutout Size (HxWxD) – Flush	61 5/16" x 30" x 24 1/2"
Speed Oven Capacity	1.6 cu. ft.
Oven Capacity	4.5 cu. ft.
Warming Drawer Capacity	2.5 cu. ft.
Overall Lower Oven Interior Dimensions (HxWxD)	17 3/4" x 24" x 17 7/8"
Usable Lower Oven Interior Dimensions (HxWxD)	13 1/2" x 21 5/8" x 16 1/4"
Net Weight	346 lbs

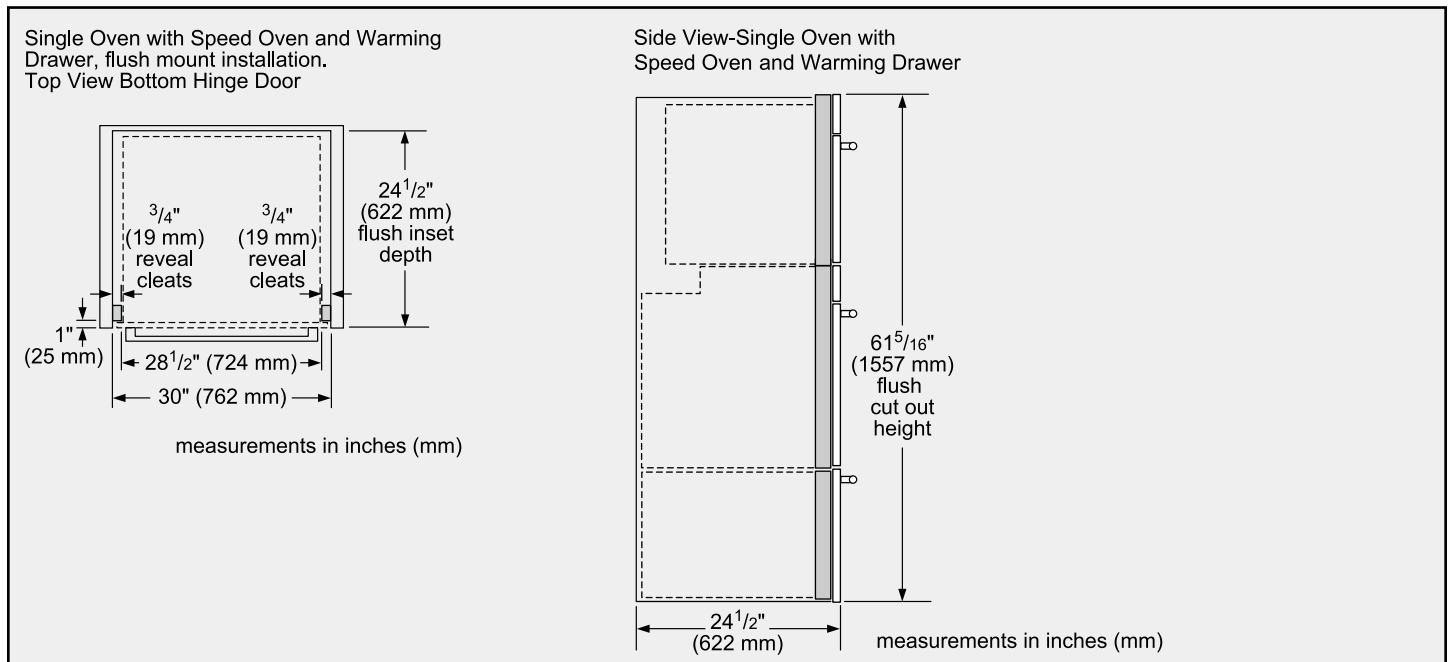
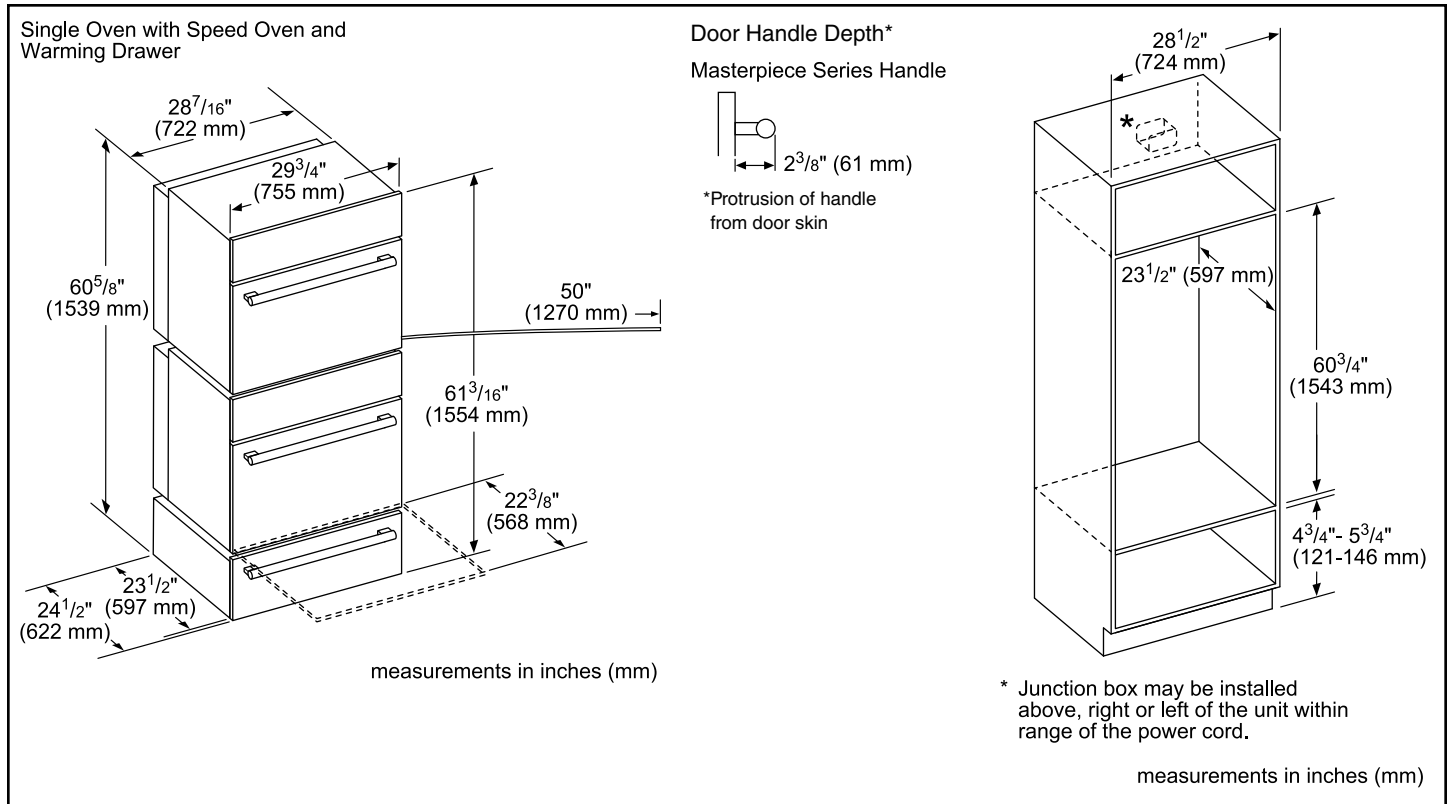
MEDMCW31WS

30-INCH TRIPLE COMBINATION BUILT-IN OVEN WITH SPEED OVEN

MASTERPIECE® COLLECTION



30-INCH TRIPLE COMBINATION OVEN WITH SPEED OVEN AND WARMING DRAWER



These warranties give you specific legal rights and you may have other rights that vary from state to state. Limited warranty from date of delivery. For complete warranty details, refer to your User & Care manual, or ask your dealer.

Specifications are for planning purposes only. Refer to installation instructions and consult your countertop supplier prior to making counter opening. Consult with a heating and ventilation engineer for your specific ventilation requirements. For the most detailed information, refer to installation instructions accompanying product or write to Thermador indicating the model number. Specifications are correct at time of printing. Thermador reserves the right to change product specifications or design without notice. Some models are certified for use in Canada. Thermador is not responsible for products that are transported from the U.S. for use in Canada.