

# USE AND CARE GUIDE



**THERMADOR PROFESSIONAL® Steam Convection Oven**

**Four à convection et à vapeur THERMADOR PROFESSIONAL<sup>mc</sup>**

**Horno de vapor y convección THERMADOR PROFESSIONAL®**

***Thermador*** <sup>®</sup>  
**REAL INNOVATIONS FOR REAL COOKS<sup>®</sup>**

# USE AND CARE GUIDE

THERMADOR PROFESSIONAL® Steam Convection Oven

Four à convection et à vapeur THERMADOR PROFESSIONAL<sup>mc</sup>

Horno de vapor y convección THERMADOR PROFESSIONAL®

Models/  
Modèles/  
Modelos:  
PSO301M

***Thermador***  <sup>®</sup>  
REAL INNOVATIONS FOR REAL COOKS <sup>®</sup>

Congratulations on your recent THERMADOR® purchase! Whether you are a dedicated chef or simply a connoisseur of the art of cooking, owning a THERMADOR kitchen is the ultimate expression of personal style, good taste and an appreciation for the complete culinary experience. Our award-winning products have been empowering culinary enthusiasts for more than eleven decades.

Before you begin using your new THERMADOR product, please take a moment to review the Use and Care Guide. You will find the answers to all of your questions as well as some very important safety information. Pay special attention to the **Important Safety Instructions** located at the beginning of the manual. Your THERMADOR product is ready and waiting to be used for your next gourmet creation!

Our products are handcrafted with the highest quality authentic materials to ensure years of reliable service. In the unlikely event that you have a service question, please have your model and serial numbers of your product available. You can find this information located on the bottom of the front frame, behind the oven door.

We realize that you have made a considerable investment in your kitchen. Please feel free to share your THERMADOR kitchen photos and remodeling stories with us. Follow us on Twitter or post your kitchen photos on Facebook. We would love to hear from you!

THERMADOR wishes you many years of creative cooking.

---

Félicitations pour votre récent achat THERMADOR<sup>mc</sup>! Que vous soyez un chef enthousiaste ou un simple connaisseur de l'art culinaire, le fait de posséder une cuisine THERMADOR représente l'expression ultime de votre style personnel, de votre bon goût et de votre intérêt à vivre une expérience culinaire complète. Nos produits primés permettent à des adeptes de la bonne bouffe d'atteindre de nouveaux sommets depuis plus de onze décennies.

Avant de commencer à utiliser votre nouveau produit THERMADOR, veuillez prendre un moment pour examiner ce guide d'utilisation et d'entretien. Vous trouverez des réponses à toutes vos questions ainsi que quelques renseignements essentiels en matière de sécurité. Portez une attention particulière aux **Instructions de sécurité importantes** se trouvant au début du guide. Votre produit THERMADOR est prêt et n'attend plus que vous l'utilisiez pour votre prochaine création gastronomique!

Nos produits sont fabriqués à la main avec des matériaux authentiques de haute qualité afin d'assurer des années de service fiable. Dans l'éventualité improbable où vous auriez une question relativement à l'entretien, veuillez avoir à la portée de la main le numéro de série et de modèle de votre produit. Vous pouvez trouver cette information au bas du cadre avant, derrière la porte du four.

Nous savons bien que vous avez investi une somme considérable dans votre cuisine. N'hésitez pas à partager avec nous les photos de votre cuisine THERMADOR et les anecdotes relatives au remodelage de votre cuisine. Suivez-nous sur Twitter ou affichez des photos de votre cuisine sur Facebook. Nous serions ravis d'avoir de vos nouvelles!

THERMADOR vous souhaite de nombreuses années de gastronomie créative.

---

¡Enhorabuena por la reciente compra de su THERMADOR®! Que Usted sea un gran jefe de cocina o un simple aficionado del arte culinario, el hecho de poseer una cocina THERMADOR es la última expresión de su estilo personal, de su buen gusto y de su apreciación de una experiencia culinaria completa. Nuestros premiados productos permiten al entusiasta de la cocina explorar este mundo desde hace más de once décadas.

Antes de comenzar a utilizar su nuevo producto THERMADOR, tómese un momento para echar un vistazo a este manual de uso y mantenimiento. Encontrará respuestas a todas sus preguntas además de informaciones esenciales en materia de seguridad. Ponga especial atención a las **Instrucciones de seguridad importantes**, situadas al principio del manual. ¡Su producto THERMADOR está listo y solo espera a que Usted lo use para su próxima creación gastronómica!

Nuestros productos se fabrican a mano con materiales auténticos de alta calidad a fin de garantizar años de servicio fiable. En el caso improbable en que Usted tenga una pregunta relativa al mantenimiento, tenga a mano el número de serie y el modelo de su producto. Puede encontrar esta información en la parte inferior de la estructura delantera, detrás de la puerta del horno.

Nos damos cuenta de que Usted invirtió una suma considerable en su cocina. No dude en compartir con nosotros las fotos de su cocina THERMADOR y anécdotas acerca de la reforma de su cocina. Síguenos en Twitter o publique fotos de su cocina en Facebook. ¡Estaremos encantados de tener noticias tuyas!

¡THERMADOR le desea varios años de gastronomía creativa!

**Thermador** <sup>®</sup>  
REAL INNOVATIONS FOR REAL COOKS<sup>®</sup>

---

# Table of Contents

<b>Safety</b> .....	<b>1</b>	<b>Cleaning and Maintenance</b> .....	<b>30</b>
Before You Begin.....	1	Cleaners.....	30
<b>Getting Started</b> .....	<b>4</b>	Steam Cleaning .....	31
Control Identification .....	4	Descaling .....	32
Oven Accessories and Interior.....	5	Rack Cleaning.....	33
Water Tank Use & Care.....	6	Bulb Replacement.....	33
Basic Settings .....	7	<b>Service</b> .....	<b>34</b>
Water Hardness.....	7	Troubleshooting .....	34
Cleaning with Steam Mode.....	8	Data Label & Wire Diagram Location.....	35
Automatic Calibration.....	8	Service Information .....	35
Default Settings .....	8	<b>Statement of Warranty</b> .....	<b>36</b>
<b>Operation</b> .....	<b>10</b>	<b>Customer Support, Accessories &amp; Parts</b> .....	<b>back page</b>
Cooking Modes.....	10		
Operating the Appliance .....	11		
Kitchen / Oven Timer .....	12		
Meat Probe .....	13		
EasyCook® .....	15		
<b>Cooking Tables &amp; Tips</b> .....	<b>20</b>		
Temperature Recommendations .....	20		

This THERMADOR® appliance is made by  
BSH Home Appliances Corporation  
1901 Main Street, Suite 600  
Irvine, CA. 92614

## Questions?

1-800-735-4328

[www.thermador.com](http://www.thermador.com)

**We look forward to hearing from you!**

# Safety



## IMPORTANT SAFETY INSTRUCTIONS READ AND SAVE THESE INSTRUCTIONS

FOR RESIDENTIAL USE ONLY

### Before You Begin

**INSTALLER:** Please leave these Installation Instructions with this unit for the owner.

**OWNER:** Please retain these instructions for future reference.

#### WARNING:



#### ELECTRICAL SHOCK HAZARD

Disconnect power before installing or servicing. Before turning power ON, be sure that all controls are in the OFF position. Failure to do so can result in death or electrical shock.

#### IMPORTANT:

Local codes vary. Installer is responsible for ensuring that the installation and grounding comply with all applicable codes. Failure to follow appropriate local codes and regulations may void the warranty.

When using kitchen appliances, basic safety precautions must be followed, including the following:

Read this *Use and Care Guide* carefully before using your new appliance to reduce the risk of fire, electrical shock, or injury to persons.

Ensure proper installation and servicing. Follow the *Installation Manual* provided with this product. Have the appliance installed and electrically grounded by a qualified technician.

Have the installer show you the location of the circuit breaker. Mark it for easy reference.

**DO NOT** repair or replace any part of the appliance unless specifically recommended in this manual. All other servicing should be referred to a qualified technician.

### Fire Safety

Do not use aluminum foil or protective liners to line any part of the appliance. Use of a foil liner could result in a shock or fire hazard, or the obstruction of the flow of combustion and ventilation air. Foil is an excellent heat insulator and heat will be trapped beneath it. This will affect the cooking performance and can damage the finish of the oven.

If materials inside an oven should ignite, keep door closed. Turn off the appliance and disconnect the circuit at the circuit breaker box.

Use this appliance only for its intended purpose as described in this manual. For example, never use the appliance for warming or heating the room. Never use the appliance for storage.

Keep oven vent ducts unobstructed.

Always have a working smoke detector near the kitchen.

Loose-fitting or hanging garments should never be worn while using the appliance.

In the event that personal clothing or hair catches fire, drop and roll immediately to extinguish flames.

Smother flames from food fires other than grease fires with baking soda. Never use water on cooking fires.

Have an appropriate fire extinguisher available highly visible and easily accessible near the oven.

### Burn Prevention

Moist or damp potholders on hot surfaces may result in burns from steam. Do not let potholder touch hot heating elements. Do not use a towel or other bulky cloth.

Interior surfaces of an oven become hot enough to cause burns. During and after use, do not touch, or let clothing, pot holders, or other flammable materials come in contact with heating elements or interior surfaces of the oven until they have had sufficient time to cool. Other surfaces of the appliance may become hot enough to cause burns. These surfaces include oven vent openings, surfaces near these openings and oven doors.



# IMPORTANT SAFETY INSTRUCTIONS

## READ AND SAVE THESE INSTRUCTIONS

Exercise caution when opening the appliance. Standing to the side, open the door slowly and only slightly to let hot air and/or steam escape. Keep your face clear of the opening and make sure there are no children or pets near the unit. After the hot air and/or steam is released, proceed with your cooking. Keep doors shut unless necessary for cooking or cleaning purposes. Do not leave open doors unattended.

Do not heat or warm sealed food containers. Build-up of pressure may cause the container to burst and cause injury.

Always place oven racks in desired location while oven is cool. If a rack must be moved while the oven is hot, do not let pot holders touch the heating elements. Do not use a towel or other bulky cloth.

Never prepare food with large quantities of high proof alcoholic beverages. Steam containing alcohol can ignite inside the appliance. Use only small quantities of high proof alcoholic beverages, and use caution when opening the appliance door.

### Child Safety

When children become old enough to operate the appliance, it is the responsibility of the parents or legal guardians to ensure that they are instructed in safe practices by qualified persons.

Children should not be left alone or unattended in an area where appliances are in use. They should never be allowed to sit or stand on any part of the appliance. If children are allowed to use the appliance, they must be closely supervised.

#### CAUTION:

Hot steam can escape when opening the oven door. Hot water may drip from the door. Keep children away.

#### WARNING:

**DO NOT** store items of interest to children above or at the back of the appliance. If children should climb onto the appliance to reach these items, they could be seriously injured.

### Baking and Steaming Safely

The oven bottom and the evaporator dish must always remain clear. Always place ovenware on the rack or in the perforated baking pan.

Ovenware must be heat and steam resistant. Silicone baking pans are not suitable for use with the steam oven.

When using Steam mode with a perforated baking pan, always slide a baking pan underneath it. The pan will catch any drippings.

Do not store moist foods for an extended period of time in the closed oven. The food could cause corrosion of the oven interior.

Do not overfill very juicy fruit tarts with fruit when using the baking pan. The fruit juice that drips off the baking pan leaves behind stains that cannot be removed.

When using aluminum foil in the oven, do not allow it to touch the glass on the door. This could cause permanent staining of the door glass.

Do not place anything on the open appliance door. This could damage the appliance.

The use of accessory attachments not recommended by the appliance manufacturer may cause injuries.

#### WARNING:

##### State of California Proposition 65 Warnings:

This product contains chemicals known to the State of California to cause cancer, birth defects or other reproductive harm.



# **IMPORTANT SAFETY INSTRUCTIONS**

## **READ AND SAVE THESE INSTRUCTIONS**

---

### **Cleaning Safety**

Do not clean the appliance while it is still hot. Some cleaners produce noxious fumes when applied to a hot surface. Wet cloths or sponges can cause burns from steam.

Do not clean the appliance immediately after turning it off. The water in the evaporator dish is still hot. Wait until the appliance has cooled down.

The door will not close properly if the door gasket is heavily soiled. The face of adjacent furnishings could become damaged. Always keep the door gasket clean and replace it if necessary. See the back cover for service, parts and accessories information.

The oven cavity is made of high quality stainless steel. Improper care may result in corrosion of the oven cavity. Follow the care and cleaning instructions provided in the manual. Remove food residue and spills from the cavity immediately after the appliance has cooled down.

### **Ovenware Safety**

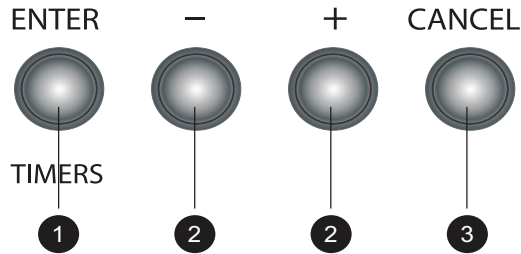
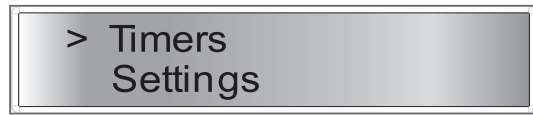
Do not place food directly on oven bottom.

Follow the manufacturer's directions when using cooking or roasting bags.

# Getting Started

## Control Identification

### LCD Display Screen and Buttons



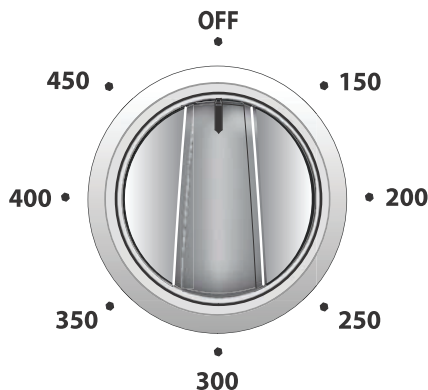
- 1 — **ENTER** verifies a selection
- 2 — **(-)** decreases and **(+)** increases time, scroll through oven display functions, and to increase or decrease the oven temperatures in 5° increments.
- 3 — **CANCEL** clears all oven operations.

1. Press any display button to show the options.
  - The available options are displayed on the screen with an “>” arrow next to function that can be selected.
2. Use the “+/-” buttons to scroll through options, and press the “ENTER” button to select the desired option.

## Control Knobs

### Temperature Control Knob

Use the Temperature Control Knob to set the steam oven temperature from 150° – 450°F (66° – 230°C). The knob will detent at every 25° (ie, 150°, 175°, 200°, 225°, etc.).



### Mode Selector Knob

Using the Mode Selector Knob, you can select from ten oven functions.

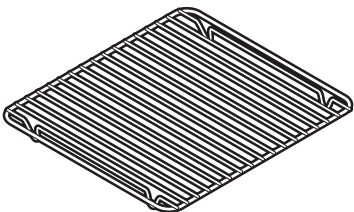
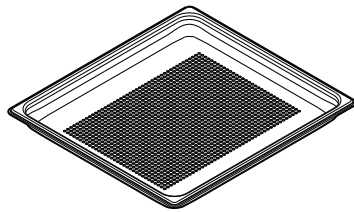
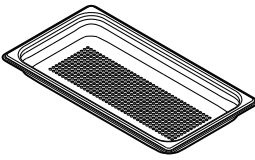
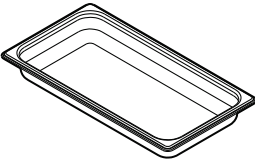
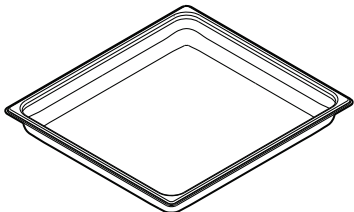


Setting	Function of Each Setting
OFF	Turns oven OFF.
STEAM	Steams vegetables, fish, and side dishes; extracts juices.
STEAM CONV	Combines steam and convection oven modes. Meat, soufflés and baked goods.
REHEAT	Gently reheats cooked foods in plated dishes and baked dishes.
DEFROST	Defrosts fruits, vegetables, meats and fish for cooking or serving.
KEEP WARM	Keeps hot, cooked foods at serving temperature.
DISH WARM	Heats and keeps warm oven-safe ovenware, plates and bowls.
SLOW COOK	Slowly roasts meats so they remain very tender.
PROOF	Proof (raises) yeast dough and sourdough.
TRUE CONV	Operates as a convection oven, with no steam. Use for moist cakes, sponge cakes and braised meat.
EASY COOK	Sets automatic programming.

# Oven Accessories and Interior

## Oven Accessories

The following steam oven accessories come with your steam oven:

<p><b>Wire rack</b> (CSRACKH) Use for support during baking. Place meats on the wire rack with the baking pan underneath and insert both together into one level.</p>	
<p><b>Perforated baking pan, full-size</b> (CS2XLPH) 1<math>\frac{5}{8}</math>" deep Ideal for steaming fish or large quantities of vegetables, extracting juice from berries, and much more.</p>	
<p><b>Perforated baking pan, half-size</b> (CS1XLPH) 1<math>\frac{5}{8}</math>" deep Ideal for steaming fish or vegetables, extracting juice from berries, and much more.</p>	
<p><b>Baking pan, half-size</b> (CS1XLH) 1<math>\frac{5}{8}</math>" deep Use for smaller quantities and for rice and cereals.</p>	
<p><b>Baking pan, full-size</b> (CS2LH) 1<math>\frac{1}{8}</math>" deep Ideal for baking cakes and catching dripping liquid when steaming.</p>	

**Clean the accessories thoroughly with soapy water and a cloth before initial use.**

**Note:**

The baking pans may become temporarily warped during baking as a result of major temperature changes that may occur, for example, if food is placed on only one part of the pan or if a deep frozen item (like a pizza) is placed on the pan.

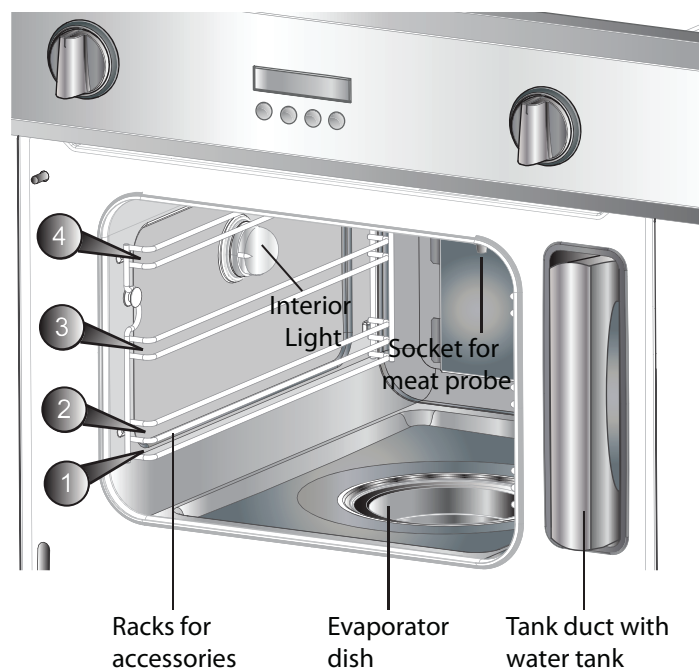
## Additional Accessories

The following additional accessories can be purchased in retail appliance stores where THERMADOR® products are sold:

Accessory	Order Number
Perforated baking pan, full-size, 1 $\frac{5}{8}$ " deep	CS2XLPH
Perforated baking pan, half-size, 1 $\frac{5}{8}$ " deep	CS1XLPH
Baking pan, full-size, 1 $\frac{5}{8}$ " deep	CS2XLH
Baking pan, half-size, 1 $\frac{5}{8}$ " deep	CS1XLH
Baking pan, full-size, 1 $\frac{1}{8}$ " deep	CS2LH
Wire rack	CSRACKH
Descaling tablets	573828
Cleaning tablets/detergent	573829
Water hardness test strips	056317

## Oven Cavity

The oven has four rack levels. The rack levels are numbered bottom to top as shown in the figure below.



Use only accessories that come with the appliance or were purchased through customer service for use in this steam oven. These accessories are designed specifically for your steam oven. You may use other ovenware appropriate for casseroles, soufflés, round cakes, and similar dishes, placing them on the wire rack (suggestions for appropriate cookware are in the “Cooking Tables and Tips” section, starting on page 20).

# Water Tank Use & Care

The water tank is on the right side of the steam oven. It holds 1.4 quarts (1.3 L) of water. The water tank **is not dishwasher safe**.

## Water level sensor warnings:

The water tank must have enough water to generate the steam needed for the cooking mode and time you are using. As the water is converted to steam, the tank level will drop during cooking. Three different water levels are monitored by the oven:

Level No.	Display Screen Warning When Oven is Turned ON	Water Level Status	What Will Happen?
1	"Water Level Is Low" – shows until the oven is turned off.	Tank less than full but not empty ( > 1/3 full)	<ul style="list-style-type: none"><li>• Heating mode can begin or continue if you select ENTER when the display shows that water is low.</li></ul>
2	"Refill Water Tank" – shows until the oven is turned off.	Empty tank ( < 1/3 full)	<ul style="list-style-type: none"><li>• Heating mode stops until the water tank is refilled or the oven is turned OFF.</li><li>• The heating element remains off until the tank is refilled and replaced in the slot.</li><li>• At this point, steam cooking resumes. The display shows preheating (if needed), after which the Oven Timer resumes counting down.</li></ul>
3	None	Full tank, any oven mode can be run	<ul style="list-style-type: none"><li>• Oven can be turned on or will continue running.</li></ul>

## Important notes about the water used to fill the tank:

- Moisten the seal in the tank lid with some water before using it for the first time.
- Use only fresh tap water or, if necessary, plain non-carbonated purchased water to fill water tank.



## CAUTION:

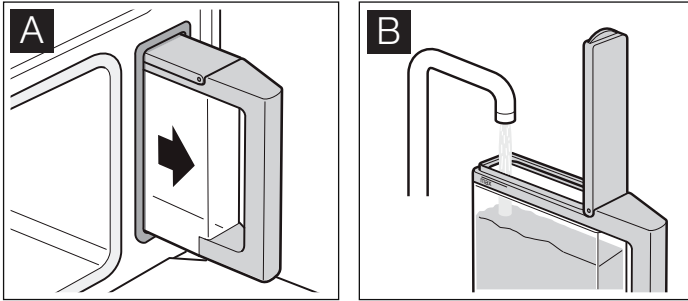
Use of inappropriate liquids can damage the appliance!  
Do not fill the water tank with distilled water or any other liquids.

- If your water is very hard (10 grains per gallon or higher), we recommend using softened water.
- If your tap water is highly chlorinated (>40 mg/L), use plain non-carbonated purchased water with a low amount of chlorine.

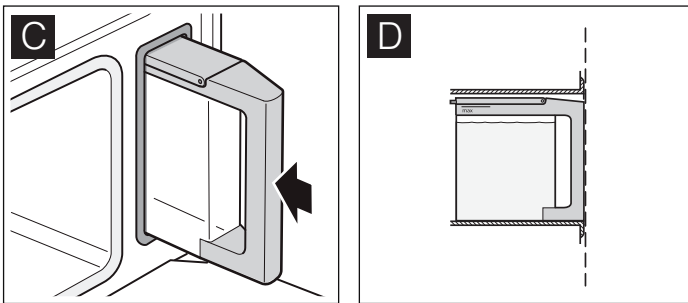
Check the water hardness using the test strip provided or ask your water utility company.

### Fill the water tank before each use:

1. Open door and remove water tank (picture A).
2. Moisten the seal in the tank lid with some water prior to initial use.
3. Fill the water tank to the “MAX” line with cold water (picture B).
  - The steam oven can operate at 100% steam for 150 minutes without the need to refill the water tank.



4. Close tank lid until it snaps.
5. Insert water tank completely (picture C).
6. The tank must be flush with the tank funnel (picture D).



### Empty the water tank after each use.

1. Keep the water tank level while slowly pulling it out of the appliance.
2. Pour out the water.
3. Thoroughly dry the seal of the tank lid and the slot where the tank resides in the appliance. Prolonged dampness could lead to a musty odor in the tank.
4. Using the sponge provided with your appliance (or a comparable soft sponge or cloth), wipe out the oven and oven door. Remove any remaining water from the evaporator dish in the bottom of the oven.

## Basic Settings

### Before Using the Oven for the First Time

- Appliance must be properly installed by a qualified technician before use.
- Remove all packing materials from inside and outside the oven.
- While cool, wipe with a clean, damp cloth and dry.
- There may be a slight odor during first uses; this is normal and will disappear.
- Optimum cooking results depend on proper cookware being used.
- Read and understand all safety precautions and Use and Care Guide information.
- Execute the following sections prior to operating:

### Setting the Water Hardness Level

Check the water hardness using the test strip provided or ask your water utility company.

1. With the oven **OFF**, push any button to bring up two choices on the display screen, **TIMERS** and **SETTINGS**.
2. Using the “+/-” buttons, select **SETTINGS** and press “**ENTER**”.
3. Scroll through **SETTINGS** until the arrow (>) points to **WATER HARDNESS**. Press “**ENTER**”.
4. Using the “+/-” buttons, scroll the number scale, and press “**ENTER**” when the arrow points to the hardness level for your water. The factory setting is 3.
  - 1 = SOFTENED (0 – 17 mg/L)
  - 2 = SOFT (18 – 60 mg/L)
  - 3 = MEDIUM (61 – 120 mg/L)
  - 4 = HARD (121 – 180 mg/L)
  - 5 = VERY HARD (over 180 mg/L)

Unless you use softened water, you will need to descale your steam oven at regular intervals (see “*Descale*” in the “*Care and Maintenance*” section on page 30).

If you move or if your water source changes, you will need to reset the water hardness value.

## Clean the Oven Using the STEAM Mode

Before using the steam oven for the first time, heat it once while it is empty:

1. Fill and slide in the water tank (see instructions under “Water Tank”, page 7).
2. Remove all accessories from the oven (cooking inserts, wire rack).
3. Close the oven door.
4. Turn the Mode Selector Knob to **STEAM**. Press **ENTER**.
5. Select **ENTER** again to access the settings menu.
6. Using the “+/-” buttons, select **TIMERS**.
7. Using the “+/-” buttons, select **OVEN TIMER**. Press **ENTER**.
8. Set the cooking time for 20 minutes (0:20, in HR/MIN format). Press **ENTER**.
  - The oven will heat for 20 minutes and then stop. Countdown will begin after the oven has finished preheating.

This initial cleaning will also calibrate the steam oven to the air pressure at your location. Calibration produces more steam than ordinary use.

## Automatic Calibration

The boiling point depends on the air pressure. The higher the altitude, the lower the air pressure, and also the boiling point. The steam oven automatically calibrates to adjust to the pressure conditions in your area the first time steam is used at 212°F (100°C).

### Calibrating the Steam Oven

1. Remove all accessories from the oven (cooking inserts, wire rack). The oven must be empty and cold.
2. Turn the Mode Selector Knob to **STEAM**. More steam than usual will be produced during calibration.

Calibration takes about 15 minutes to complete. Do not interrupt the calibration cycle. Do not open the oven door during calibration. Should the calibration process be interrupted by opening the door or switching off the appliance, the steaming function will not operate properly.

Recalibrate the appliance manually if you should move to ensure that the steam oven automatically adjusts to your new location. Refer to “Operation” to reset all parameters to the factory setting.

Recalibration is not necessary after a power failure.

## Steam Oven Default Settings

With the steam oven **OFF**, you can access various other oven features. Many of these features should be adjusted when the oven is first installed or after a move to a new location.

Using the “+/-” buttons, choose **SETTINGS** and press **ENTER** on the initial options on the display screen. The full list of settings will display:

LANGUAGE  
WATER HARDNESS  
CALIBRATE OVEN?  
TEMPERATURE UNITS  
WEIGHT UNITS  
DESCALE?  
STEAM CLEAN?  
FACTORY RESET  
ALARM DURATION

Use the “+/-” buttons to scroll through the settings list, pressing **ENTER** for the one you wish to adjust.

**LANGUAGE:** Instead of manually changing weight or temperature units, you can go to LANGUAGE and select either ENGLISH or FRENCH. Choosing ENGLISH defaults the weight and temperature units to lbs/°F. Choosing FRENCH defaults these settings to kg/°C. The display will change to CUSTOM if you change either of the units by going directly to them in the settings list.

**WATER HARDNESS:** The hardness of the tap or bottled water (**NEVER** distilled water) you put in the water tank should be determined and entered with this setting when the appliance is installed. As explained on page 6, you may either use water hardness strips or contact your local water utility to find out the hardness of your tap water.

Enter WATER HARDNESS and set it to this value using the “+/-” buttons for the number scale. If you move or if your water source changes, you will need to reset the water hardness value.

**CALIBRATE OVEN:** This setting resets the temperature calibration to 210°F (100°C) the next time the STEAM mode is used. (See also “Automatic Calibration” on page 8).

**TEMPERATURE UNITS:** If you choose this setting, you can override the LANGUAGE default and manually select either degrees Fahrenheit (°F) or Celsius (°C) for the temperature display. The calculation for conversion between temperatures in Fahrenheit and Celsius is shown below (T = temperature):

$$T^{\circ}(\text{Fahrenheit}) = T^{\circ}(\text{Celsius}) \times 9/5 + 32$$

**WEIGHT UNITS:** If you choose this setting, you can override the LANGUAGE default and manually select either pounds (lbs.) or kilograms (kg) for food weight entry. The calculation for conversion between weights in pounds and kilograms is shown below:

pounds / 2.2 = kilograms

kilograms x 2.2 = pounds

**DESCALE:** Your steam oven will need to be descaled (or decalcified) at regular intervals to remove the calcium and magnesium deposits from the water heated to make steam. Once the water hardness is set, the steam oven display will automatically alert you when descaling is required.

**Note:**

If you use softened water, you will not need to descale the steam oven.

Detailed instructions for descaling the steam oven are provided in the “*Cleaning and Maintenance*” section of this manual starting on *page 30*. The oven cannot be used for any other purpose while descaling is in progress.

**STEAM CLEAN:** You may use steam to dissolve food residues and spills so that they can be easily wiped up. Running the STEAM CLEAN cycle takes 30 – 35 minutes. The oven cannot be used for any other purpose while steam cleaning is underway. Detailed instructions for steam cleaning the oven are provided in the “*Cleaning and Maintenance*” section of this manual starting on *page 30*.

**ALARM DURATION:** You may set the duration period for the buzzer after an “END OF COOK TIMER” or “END OF KITCHEN TIMER” function to one of the following options:

Short (10 seconds)

Medium (2 minutes)

Long (5 minutes)

**FACTORY RESET:** This feature will restore all settings to these default values:

LANGUAGE: English

TEMPERATURE UNITS: Fahrenheit

WEIGHT UNITS: Pounds

CALIBRATION: On

WATER HARDNESS: 3 – Medium

**Automatic operation of the cooling blower**

The cooling blower activates immediately for any of the steam oven modes. If steam oven modes that use steam are switched off (*STEAM*, *STEAM CONV*, *REHEAT*, or certain settings of *EASY COOK*), the cooling blower stays on for 10 minutes independent from the oven temperature before shutting off. If heating modes without steam are turned off, the cooling blower goes off when the oven temperature falls below 230°F (110°C).

If the door is opened during a mode that uses the steam function, the cooling fan will cycle on and off five-six times in succession to purge the excess steam.

**Evaporator dish operation**

*STEAM*, *STEAM CONV*, *REHEAT*, and certain settings of *EASY COOK* will have a rolling boil at the evaporator dish of the steam oven whereas the remaining modes will not. This is due to the need for a higher temperature setting needed for these processes. *REHEAT*, and *PROOF* are gentler steaming processes and require a drier heat and less moisture content. *SLOW COOK* and *TRUE CONV* do not use any moisture.

# Operation

## Cooking Modes

### Temperature Setting for Each Cooking Mode

Different modes have different possible minimum and maximum temperatures. The following table describes the limits on setting the temperature ranges for each mode (except for Easy Cook®, described in a later section):

Cooking Mode	Minimum Temp.	Maximum Temp.	Notes on Using the Temperature Control Knob and Buttons
STEAM	95°F (35°C)	212°F (100°C)	When the mode knob is turned to STEAM the LCD display will show default temperature of 212°. The temperature can also be adjusted with +/- buttons or with the temperature selector knob. If temp selector knob is used, the display only registers 175°, 200° and 212°. If using +/- buttons the display only registers 175°, 180°, ... 200°, 205°, 212°.
STEAM/ CONV	250°F (121°C)	450°F (232°C)	If the temperature selection is below 250°F (121°C) or above 450°F (232°C), the display will show minimum and maximum range.
REHEAT	210°F (98°C)	360°F (182°C)	If the temperature selection is below 210°F (98°C) or above 360°F (182°C), the display will show minimum and maximum range.
DEFROST	110°F (43°C) only		Cannot use the knob or selector buttons.
KEEP WARM	140°F (60°C) only		Cannot use the knob or selector buttons.
DISH WARM	125°F (51°C) only		Cannot use the knob or selector buttons.
SLOW COOK	140°F (60°C)	250°F (121°C)	If the temperature selection is below 140°F (60°C) or above 250°F (121°C), the display will show minimum and maximum range.
PROOF	100°F (37°C) only		Cannot use the knob or selector buttons.
TRUE CONV	150°F (65°C)	450°F (232°C)	TRUE CONV can use the full range of oven temperatures. For best results, reduce the recipe temperature by 25°F. Place food in a low-sided, uncovered pan.



### CAUTION:

Exercise caution when opening the appliance. Standing to the side, open the door slowly and only slightly to let hot air and/or steam escape. Keep your face clear of the opening and make sure there are no children or pets near the unit. After the hot air and/or steam is released, proceed with your cooking. Keep doors shut unless necessary for cooking or cleaning purposes. Do not leave open doors unattended.

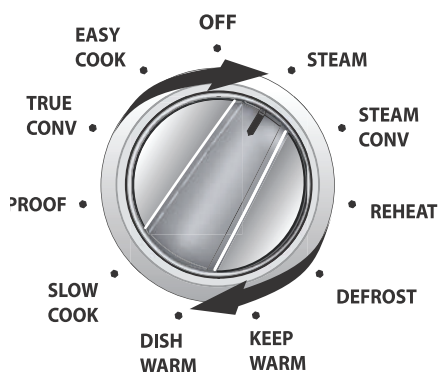
# Operating the Appliance

Using nine of the ten modes available in your steam oven requires similar steps. *Using Easy Cook® is somewhat different and is described separately starting on page 15.*

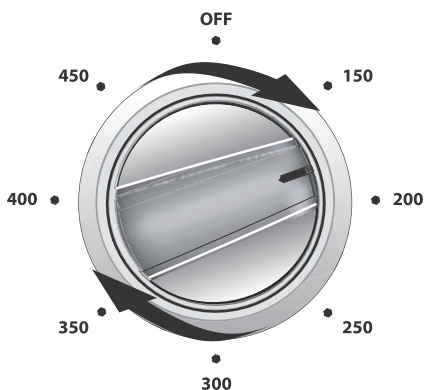
## Turning on the Appliance

(STEAM mode is used in example)

1. Place food in steam oven before preheat unless using SLOW COOK or TRUE CONV modes. In SLOW COOK or TRUE CONV modes place food in oven after steam oven has been preheated.
  - Food needs to be in the oven during preheat for steam modes because if the door is opened to put food inside after the preheat cycle then the steam will leave the cavity, lowering the temperature, which may cause the food to be undercooked.
2. Turn the Mode Selector Knob to the desired heating mode.

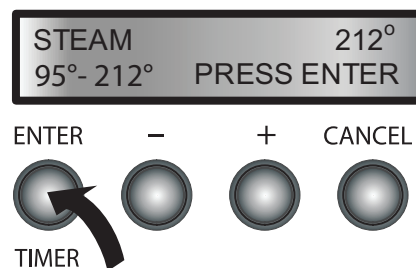


3. If temperature control is possible in the mode you select, turn the Temperature Control Knob to the desired temperature.

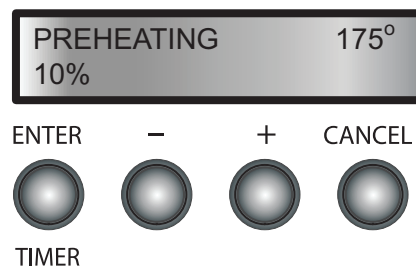


- Temperature control is not possible with DEFROST, PROOF, KEEP WARM, and DISH WARM, which have preselected temperatures. When one of these modes is selected, the temperature will appear on the display.

4. Press **ENTER**.



The oven will begin PREHEATING.



## Canceling the Mode

1. To cancel a cooking mode, press the **CANCEL** button.
  - A prompt will appear asking if you want to cancel the mode (e.g., CANCEL STEAM).
2. To stop the operation, press **ENTER**.
  - The display screen will show the mode and the set temperature. Turn the Mode Selector Knob to **OFF** to clear the display screen.
3. To continue cooking, press **CANCEL** again.
  - If the oven was in preheat, heating will resume and the preheating percentage will show on the display. If the oven was past preheat, then "MODE and TEMPERATURE" and the countdown time will continue to display.

## After Oven Operation

### IMPORTANT:

- Wipe down the oven cavity and the evaporator dish with the sponge provided and dry well with a soft cloth after each use.
- Remove food residue and spills from the oven immediately after the appliance has cooled down. Burned on residue is very difficult to remove at a later time.
- Salts are very abrasive and can cause rust spots. The steam oven cavity can rust if not properly cared for.

## Kitchen / Oven Timer

### Kitchen Timer

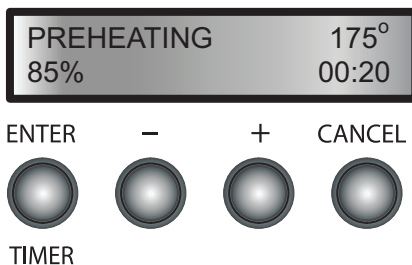
The kitchen timer can be set for up to *23 hours and 55 minutes*. The kitchen timer can be used whether the oven is in operation or not.

### Oven Timer

The Oven Timer is intended to mechanically shut the oven off when the desired cooking time is complete. The maximum time is *23 hours and 55 minutes*.

#### To set the kitchen or oven timer

1. Press the **ENTER** button to access the menu.
2. With the “+/-” buttons, move the arrow (>) to **TIMERS** and press **ENTER**.
3. With the “+/-” buttons, move the arrow (>) to **KITCHEN TIMER** or **OVEN TIMER** and press **ENTER**.
4. Using the “+/-” buttons, select the desired countdown time in 1 minute increments. Hold down “+/-” button to set by 5 minute increments.
5. Press **ENTER** to begin the timer countdown. Countdown will start after the oven has finished preheating.
  - When the timer reaches “0:00”, the display will emit a repeated single beep to signal the end of the countdown.



6. Press **any button** to disable the beep.

For times longer than one hour (1:00), the remaining time will show as HR/MIN (e.g., 2:40 min). From less than one hour to 10 minutes, it shows as MIN/SEC (e.g., 5:40 sec). The colon (:) in the time display will blink every second when the countdown time is 10 minutes or more. Below 10 minutes, the time will display in seconds (e.g., 9:53, 8:45, and so on) with no blinking.

While the timer is operating, pressing **CANCEL** will lead to a prompt: “Cancel Timer” on the first line, while the time still shows on the second line. Press **ENTER** to stop the countdown and the timer operation. Press **CANCEL** to resume the countdown.

#### Changing the Cooking Time during Operation

1. Press **ENTER**.
  - The display will show CANCEL OVEN TIMER.
2. Press **ENTER** to cancel the mode.
3. Press **ENTER** again to return to the main menu.
4. Using the “+/-” buttons, scroll to OVEN TIMER.
5. Press **ENTER** to get the blinking (0:00).
6. Using the “+/-” buttons, input the new cooking time.
7. Press **ENTER** to restart the oven timer.

#### At the End of Cooking

When the oven timer reaches 0:00, the display will emit a repeated beep to signal the end of the cooking time. The beep will continue for 10 seconds, 2 or 5 minutes or until you turn either the Mode Selector Knob or the Temperature Control Knob to **OFF**.

Pressing the **CANCEL**, **+** or **-**, or **ENTER** buttons will also disable the beep even if the oven has not been turned to **OFF**. Turn the knob to **OFF**.

After cooking with a steam-producing mode, remember to remove and empty the water tank, dry the seal of the tank lid and the slot. Using the sponge provided with your appliance (or a comparable soft sponge or cloth), wipe out the oven and oven door. Remove any remaining water in the evaporator dish in the bottom of the oven.

#### Changing the Temperature during Operation

**CHANGING DURING PREHEAT:** If the new temperature you choose is higher than the current one, the oven will resume preheating, recalculating the percentage of preheat to show progress to the new temperature.

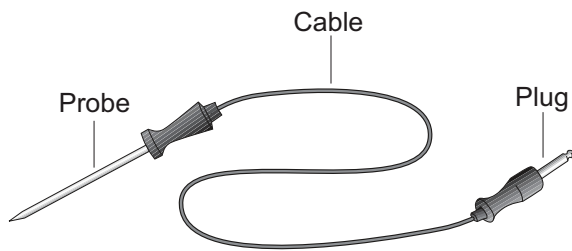
If the new temperature is lower than the current one (or within 95% of it), the oven will go directly to cooking. The “Oven Timer” and the remaining countdown time will be displayed.

**CHANGING AFTER PREHEAT:** If you change the temperature once the cooking temperature has been reached, the oven will ramp the interior temperature up or down to the new temperature. The oven timer will continue counting down without being affected.

## Using the Meat Probe

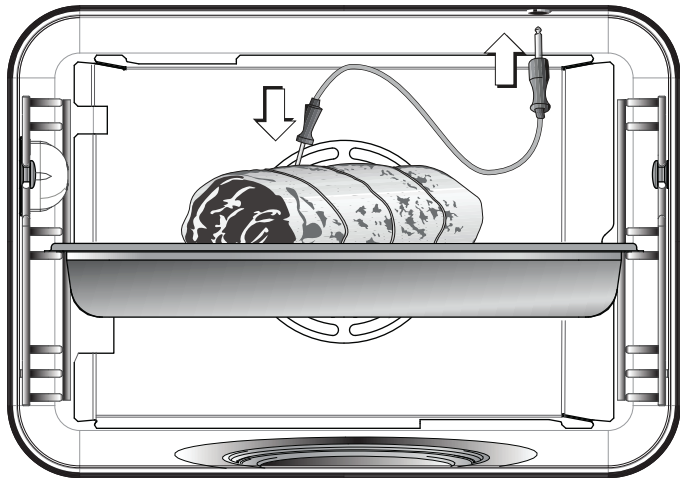
Using the meat probe allows you more control over how your foods are cooked by automatically disabling the specified cooking mode when a dish's desired temperature, defined by the cook, has been reached.

The meat probe can only be used in the STEAM, STEAM CONVEC, TRUE CONVEC, or SLOW COOK modes.



## Programming the Meat Probe

1. Insert the plug end into the outlet.
2. Insert probe into the meat.



- To avoid damaging the probe, ensure that the meat is fully defrosted before inserting the probe.
  - Insert the probe until its tip is rested in the center of the thickest, meatiest portion of the meat.
  - Ensure that the probe does not touch bone, fat, or gristle.
  - In the case of poultry, do not insert the tip of the meat probe in the middle (hollow) but between the belly and the thigh.
  - The probe should not touch any part of the cooking dish or parts of the oven, as this will affect the accuracy of the results.
3. Close the oven door.
  4. Select the desired *COOKING MODE* and *OVEN TEMPERATURE* using the knobs on the control panel. Press **ENTER**.
    - If the probe function is not available for the selected mode the display will prompt the user to unplug the probe and continue without the probe.
    - Probe is not available when the Oven Timer has been set.
    - The range for the probe temperature is between 120°F (50°C) and 200°F (95°C).
    - If the probe is removed or cancelled while a mode is running, the mode will continue without the probe function and will run indefinitely until canceled by the user.
  5. With the “+/-” buttons, set the desired *PROBE TEMPERATURE*. Press **ENTER**.

When the actual probe temperature reaches the desired set temperature, the cooking mode will be finished and the “end of oven timer” will beep to indicate that the cooking process has concluded. The oven turns itself off automatically when the meat probe temperature has been reached.

## Recommended Minimum Internal Cooking Temperatures

The minimum internal temperatures that foods must reach to be considered safe to eat, as determined by the *U. S Department of Agriculture Food Safety and Inspection Service*, are as follows:

<b>Fresh ground beef, veal, lamb, pork</b>	160°F (72°C)
<b>Beef, veal, lamb roasts, steaks, chops, venison, ground venison</b>	
Medium rare	145°F (63°C)
Medium	160°F (71°C)
Well done	170°F (77°C)
<b>Fresh pork roasts, steaks, chops</b>	
Medium	160°F (72°C)
Well done	170°F (77°C)
<b>Ham</b>	
Cook before eating	160°F (72°C)
Fully cooked, to reheat	140°F (60°C)
<b>Poultry</b>	
Ground chicken, turkey	165°F (74°C)
Whole chicken, turkey	180°F (82°C)
Breasts, roasts	170°F (77°C)
Thighs and wings	180°F (82°C)
Stuffing (cooked alone or in bird)	165°F (74°C)
Egg dishes, casseroles	160°F (72°C)
Leftovers	165°F (74°C)

## Probe Care and Use

- To avoid damaging your probe, **DO NOT** pull on the cable when trying to remove it from a dish.
- **DO NOT** use tongs or other instruments to pry on the probe when removing it or to “hammer” the probe into a food dish.
- **DO NOT** wash the probe in the dishwasher; use warm, soapy water instead to clean it.
- To prevent possible burns, wait until the oven has cooled before trying to remove the probe from the outlet.
- **DO NOT** store the probe inside the oven.

# Easy Cook® Automatic Programming

## Introduction to Easy Cook®

Automatic programming makes it easy to prepare food. Your steam oven's Easy Cook mode automatically sets the oven to cook 27 different foods.

The following pointers will help you get excellent results with Easy Cook:

- Use only **ONE** level of the oven with Easy Cook programs.
- Use the recommended ovenware. All meals have been tested using this ovenware, and results may vary if different ovenware is used.
- When cooking food in a perforated baking pan, insert the baking pan at rack level 1 to catch any drippings.
- Add liquid and food mixtures such as rice and water no more than 1½" (38 mm) up the side of the baking pan.
- Automatic programming requires that you know the weight of the food. For individual pieces, like pieces of chicken, always enter the weight of the largest piece. The total weight must be within the preset weight range.
- Cooking results may vary depending on the amount and quality of the food.

## Setting Easy Cook® Programs

### Choosing the Food

1. Turn the Mode Selector Knob to EASY COOK.
  - The display screen will show a list of food groupings with Easy Cook programs. These groupings are "VEGETABLES", "RICE", "POULTRY", "BEEF", "PORK ROAST", "LAMB", "FISH", "BAKED GOODS, DESSERTS", "REHEAT", "DEFROST", and "EGGS".
2. Starting with the selection arrow (>) at "VEGETABLES", use the "+/—" buttons to scroll through the list of choices.
3. Select the desired food grouping and press **ENTER**.
  - The screen will show the sub-groups of foods under the grouping you selected.
4. Use the "+/—" buttons to scroll forward and back through the sub-group choices under that food grouping.
5. Select the sub-group you want and press **ENTER**.

### Setting the Weight

The display will now show "Enter Weight" on the first line and a weight ("X.0" lbs. or kg) on the second line. X.0 lbs. is the default weight for the selected food. For instance, if you select "BEEF", then "POT ROAST", the default weight is 2.2 lbs. so X = 2.2.

6. Use the "+/—" buttons to adjust the weight setting.
  - Pressing the "+/—" buttons will change the displayed weight by 0.1 pounds (or kilograms, according to the chosen settings). Each type of food has a maximum and minimum weight setting for Easy Cook. Holding down the "+/—" button will allow you to scroll rapidly through the weight choices.

### Changing the Food Type and Weight Already Selected

At each level, pressing **CANCEL** will take you back to the previous menu until you reach the main Easy Cook menu.

### Starting Cooking

In Easy Cook programs, the rack location, baking pan type, and cooking times have been pre-selected for the food type and weight you have chosen.

7. Press **ENTER** again.
  - The display will show the rack level (levels 1 – 3) and specific ovenware/accessories that should be used.
8. Place food in steam oven as suggested on the display screen.
9. Press **ENTER** again.
  - The display will show "Oven Timer" on the first line and the automatic cooking time for the particular choice of food on the second line.
10. Press **ENTER** and the oven will begin preheating.
  - The preheat percentage will display on the first line and the current oven temperature on the second. Once the oven reaches 90 – 95% of the pre-selected temperature, the cook time countdown will be activated.

### **During Cooking**

After preheat, the display will indicate the Easy Cook® program in operation and the automatic cooking time.

The oven timer will now begin counting down from that automatic time to 0:00 in the same manner as all the other cooking cycles.

### **At the End of an Easy Cook® Program**

When the oven timer reaches 0:00, the Easy Cook program will end. The display will beep to signal the end of the cooking time.

Pressing the **CANCEL** button will also disable the buzzer even if the oven has not been turned to OFF.

Depending on the alarm duration setting, if 10 seconds, 2 or 5 minutes passes with no further action to stop the timer beep or turn the oven off, the beep will stop and the display will go blank.

### **Canceling the Program during Operation**

While an Easy Cook mode is running, if you press **CANCEL**, the display prompt will read "Cancel Easy Cook". If the oven is still preheating, the preheat temperature will display on the second line. If the oven has reached cooking temperature, the countdown time will display on the second line.

To stop the operation, press **ENTER**. The screen will go blank. Turn the Mode Selector Knob to OFF.

To continue cooking, press **CANCEL** again. If the oven was in preheat, heating will resume and the preheating percentage will show on the display. If the oven was past preheat, then "Oven Timer" and the countdown time will continue to display.

# Easy Cook<sup>®</sup> Program Charts

This section covers all of the programs available for automatic programming. Read the instructions before using a program to prepare the food.

Food	Default Weight	Min. Weight	Max. Weight	Accessories and Rack Levels
------	----------------	-------------	-------------	-----------------------------

## Vegetables

Wait until after cooking to season vegetables, including potatoes.

Cauliflower florets	1.1 lbs. (0.5 kg)	0.3 lbs. (0.2 kg)	4.1 lbs. (2 kg)	Perforated (level 3) + baking pan (level 1)
Broccoli florets	1.1 lbs. (0.5 kg)	0.3 lbs. (0.2 kg)	4.1 lbs. (2 kg)	Perforated (level 3) + baking pan (level 1)
Green beans	1.1 lbs. (0.5 kg)	0.3 lbs. (0.2 kg)	4.1 lbs. (2 kg)	Perforated (level 3) + baking pan (level 1)
Green asparagus (of equal size)	1.1 lbs. (0.5 kg)	0.3 lbs. (0.2 kg)	4.1 lbs. (2 kg)	Perforated (level 3) + baking pan (level 1)
Mixed veggie steam	1.1 lbs. (0.5 kg)	0.3 lbs. (0.2 kg)	4.1 lbs. (2 kg)	Perforated (level 3) + baking pan (level 1)
Peeled potatoes	1.1 lbs. (0.5 kg)	0.3 lbs. (0.2 kg)	4.1 lbs. (2 kg)	Perforated (level 3) + baking pan (level 1)
Unpeeled potatoes	1.1 lbs. (0.5 kg)	0.3 lbs. (0.2 kg)	4.1 lbs. (2 kg)	Perforated (level 3) + baking pan (level 1)

## Rice

Weigh out the food to be cooked and add the correct amount of water: Rice 1:1.5, Couscous 1:1

Stir the cereal or grain after cooking to help it quickly absorb the remaining water.

**To prepare risotto**, add water to the risotto at a ratio of 1:2. Enter the entire weight, including the water. One cup of risotto and 2 cups of water equal approximately 1.5 lbs. (0.68 kg). The message "stir" will appear after approximately 15 minutes. Stir the risotto, and continue cooking.

Long grain				Baking pan (level 2)
Basmati				Baking pan (level 2)
Brown rice				Baking pan (level 2)
Couscous				Baking pan (level 2)
Risotto, arborio rice	2.2 lbs. (1 kg)	1.0 lbs. (0.5 kg)	4.2 lbs. (2 kg)	Baking pan (level 2)

Food	Default Weight	Min. Weight	Max. Weight	Accessories and Rack Levels
<b>Poultry</b>				
Weigh individual pieces of chicken. Enter the weight of the heaviest piece. <b>DO NOT</b> place pieces of chicken on top of one another in the ovenware. You can marinate the pieces of chicken before cooking.				
Fresh whole chicken	2.2 lbs. (1 kg)	1.6 lbs. (0.7 kg)	4.6 lbs. (2.1 kg)	Wire rack + baking pan (level 2)
Fresh chicken portions	0.2 lbs. (0.1 kg)	0.1 lbs. (0.04 kg)	0.8 lbs. (0.36 kg)	Wire rack + baking pan (level 2)
<b>Pork Roast</b>				
Cut the rind from the center outward before cooking. The shoulder cut is the best cut for a pork roast with crust.				
Pork Roast	2.2 lbs. (1 kg)	1.8 lbs. (0.8 kg)	4.2 lbs. (2 kg)	Wire rack + baking pan (level 2)
<b>Beef</b>				
A tall roast is recommended for roast beef.				
Pot roast	2.2 lbs. (1 kg)	2.2 lbs. (1 kg)	3.3 lbs. (1.5 kg)	Baking pan (level 2)
Sirloin, medium, slow cook (sear before cooking)	2.2 lbs. (1 kg)	2.2 lbs. (1 kg)	4.2 lbs. (2 kg)	Baking pan (level 2)
<b>Lamb (Bone-in leg of lamb)</b>				
Leg, well done	2.2 lbs. (1 kg)	2.2 lbs. (1 kg)	4.2 lbs. (2 kg)	Wire rack + baking pan (level 2)
Leg, medium	2.2 lbs. (1 kg)	2.2 lbs. (1 kg)	4.2 lbs. (2 kg)	Baking pan (level 2)
<b>Fish</b>				
Grease the perforated baking pan to prepare for the fish. <b>DO NOT</b> place whole fish, fish fillets, or fish sticks on top of each other. Enter the weight of the heaviest piece of fish and select pieces that are approximately the same size.				
Whole fresh fish	1.3 lbs. (0.6 kg)	0.7 lbs. (0.3 kg)	4.1 lbs. (2 kg)	Perforated (level 3) + baking pan (level 1)
Fresh fish fillet	0.4 lbs. (0.2 kg)	0.2 lbs. (0.1 kg)	4.0 lbs. (2 kg)	Perforated (level 3) + baking pan (level 1)
Frozen fish fillet	0.5 lbs. (0.2 kg)	0.2 lbs. (0.1 kg)	4.0 lbs. (2 kg)	Perforated (level 3) + baking pan (level 1)
Oysters & clams	2.2 lbs. (1 kg)	1.2 lbs. (0.5 kg)	5.2 lbs. (2.5 kg)	Perforated (level 3) + baking pan (level 1)
<b>Baked Goods, Desserts</b>				
Fruit Compote	1.1 lbs. (0.5 kg)	0.3 lbs. (0.14 kg)	3.1 lbs. (1.4 kg)	Baking pan (level 2)
Rice Pudding	0.4 lbs. (0.2 kg)	0.1 lbs. (0.5 kg)	1.5 lbs. (0.7 kg)	Baking pan (level 2)

Food	Default Weight	Min. Weight	Max. Weight	Accessories and Rack Levels
<b>Breads</b>				
Use parchment paper on the baking pan when baking breads and rolls. Easy Cook® programs are for free-form loaves only. Baking bread in a loaf pan is not recommended. The dough should not be too soft. Before baking, use a sharp knife to make several slashes, about 0.4" (1 cm) deep into the bread dough. Let the dough rise before baking. The Easy Cook program is for baking only. Fresh rolls should all weigh the same. Enter the weight of the individual bread rolls.				
Braided loaf	2.2 lbs. (1 kg)	1.0 lbs. (0.5 kg)	4.2 lbs. (2 kg)	Baking pan (level 2)
Multigrain bread	2.2 lbs. (1 kg)	1.0 lbs. (0.5 kg)	4.2 lbs. (2 kg)	Baking pan (level 2)
Multigrain, proof & bake	2.2 lbs. (1 kg)	1.0 lbs. (0.5 kg)	4.2 lbs. (2 kg)	Baking pan (level 2)
Rye bread	2.2 lbs. (1 kg)	1.4 lbs. (0.6 kg)	4.2 lbs. (2 kg)	Baking pan (level 2)
Rye bread, proof & bake	2.2 lbs. (1 kg)	1.4 lbs. (0.6 kg)	4.2 lbs. (2 kg)	Baking pan (level 2)
White bread	2.2 lbs. (1 kg)	1.0 lbs. (0.5 kg)	4.2 lbs. (2 kg)	Baking pan (level 2)
White bread, proof & bake	2.2 lbs. (1 kg)	1.0 lbs. (0.5 kg)	4.2 lbs. (2 kg)	Baking pan (level 2)
Fresh rolls	0.1 lbs. (0.05 kg)	0.1 lbs. (0.05 kg)	0.6 lbs. (0.3 kg)	Baking pan (level 2)
Frozen rolls	0.1 lbs. (0.05 kg)	0.1 lbs. (0.05 kg)	0.6 lbs. (0.3 kg)	Baking pan (level 2)
<b>Reheat</b>				
Pizza, thin crust	0.6 lbs.	0.2 lbs. (0.1 kg)	1.5 lbs. (0.7 kg)	Wire rack + perforated pan (level 2)
Pizza, deep dish	0.6 lbs.	0.2 lbs. (0.1 kg)	1.5 lbs. (0.7 kg)	Wire rack + perforated pan (level 2)
<b>Defrost</b>				
Chicken, pieces, bone-in	2.2 lbs. (1 kg)	0.6 lbs. (0.3 kg)	3.2 lbs. (1.5 kg)	Perforated (level 3) + baking pan (level 1)
Meat	2.2 lbs. (1 kg)	1.0 lbs. (0.5 kg)	3.2 lbs. (1.5 kg)	Perforated (level 3) + baking pan (level 1)
Berries	1.1 lbs. (0.5 kg)	0.3 lbs. (0.13 kg)	2.1 lbs. (1.0 kg)	Perforated (level 3) + baking pan (level 1)
<b>Eggs</b>				
Soft cooked eggs	0.0 lbs. (0.0 kg)	0.0 lbs. (0.0 kg)	2.0 lbs. (0.9 kg)	Perforated (level 3) + baking pan (level 1)
Hard cooked eggs	0.0 lbs. (0.0 kg)	0.0 lbs. (0.0 kg)	4.0 lbs. (2 kg)	Perforated (level 3) + baking pan (level 1)

# Cooking Tables and Tips

## Temperature Setting Recommendations

These tables contain a selection of dishes that can be easily prepared in the steam convection oven. You can find out which oven mode, accessories and cooking time are best suited for your dish. If not specified otherwise, this information applies to dishes placed in a cold appliance.

### Vegetables

Place vegetables in the perforated baking pan and place pan at rack level 3. Place the baking pan underneath it at rack level 1. The baking pan will catch any drippings.

Food	Size	Accessories	Oven Mode	Temperature	Cooking Time
Artichokes	Whole	Perforated + baking pan	Steam	212°F (100°C)	30 – 35 min.
Asparagus	Whole	Perforated + baking pan	Steam	212°F (100°C)	10 – 15 min.
Beets	Whole	Perforated + baking pan	Steam	212°F (100°C)	40 – 50 min.
Broccoli	Florets	Perforated + baking pan	Steam	212°F (100°C)	8 – 10 min.
Brussels sprouts	Florets	Perforated + baking pan	Steam	212°F (100°C)	20 – 30 min.
Cabbage	Shredded	Perforated + baking pan	Steam	212°F (100°C)	25 – 35 min.
Cabbage, red	Shredded	Perforated + baking pan	Steam	212°F (100°C)	30 – 35 min.
Carrots	Slices	Perforated + baking pan	Steam	212°F (100°C)	10 – 20 min.
Cauliflower	Whole	Perforated + baking pan	Steam	212°F (100°C)	30 – 40 min.
Cauliflower	Florets	Perforated + baking pan	Steam	212°F (100°C)	10 – 15 min.
Fennel	Slices	Perforated + baking pan	Steam	212°F (100°C)	10 – 14 min.
Green asparagus	Whole	Perforated + baking pan	Steam	212°F (100°C)	7 – 12 min.
Green beans	–	Perforated + baking pan	Steam	212°F (100°C)	15 – 20 min.
Kohlrabi	Slices	Perforated + baking pan	Steam	212°F (100°C)	15 – 20 min.
Leeks	Slices	Perforated + baking pan	Steam	212°F (100°C)	4 – 6 min.
Peas	–	Perforated + baking pan	Steam	212°F (100°C)	5 – 10 min.
Pea pods	–	Perforated + baking pan	Steam	212°F (100°C)	8 – 12 min.
Spinach	–	Perforated + baking pan	Steam	212°F (100°C)	2 – 3 min.
Stuffed vegetables (zucchini, eggplant, peppers)	<b>DO NOT</b> precook vegetables	Baking pan at level 2	Steam Convection	320 – 360°F (160 – 180°C)	15 – 30 min.
Swiss chard	Shredded	Perforated + baking pan	Steam	212°F (100°C)	8 – 10 min.
Zucchini	Slices	Perforated + baking pan	Steam	212°F (100°C)	2 – 3 min.

\* Preheat the appliance. Place food in oven before preheat unless using the Slow Cook or True Convection modes.

## Side Dishes, Legumes, and Rice

Add the appropriate amount of water or liquid. Example: 1:1.5 = for every 1/2 cup.

Food	Ratio/ Information	Accessories	Oven Mode	Temperature	Cooking Time
Potatoes (unpeeled)	Medium size	Perforated (level 3) + baking pan (level 1)	Steam	212°F (100°C)	35 – 45 min.
Potatoes (peeled)	Quartered	Perforated (level 3) + baking pan (level 1)	Steam	212°F (100°C)	20 – 25 min.
Potato gratin	–	Baking pan (level 2)	Steam	212°F (100°C)	35 – 45 min.
Brown rice	1:2	Baking pan	Steam	212°F (100°C)	30 – 40 min.
Long grain rice	1:2	Baking pan	Steam	212°F (100°C)	20 – 30 min.
Basmati rice	1:1.5	Baking pan	Steam	212°F (100°C)	20 – 30 min.
Lentils	1:2	Baking pan	Steam	212°F (100°C)	30 – 45 min.
Canellini beans, pre-cooked	1:2	Baking pan	Steam	212°F (100°C)	65 – 75 min.
Couscous	1:1	Baking pan	Steam	212°F (100°C)	6 – 10 min.
Dumplings	–	Perforated (level 3) + baking pan (level 1)	Steam	205°F (95°C)	20 – 25 min.

## Meat, Poultry, Fish

Insert rack and baking pan together at the same rack level. Once the roast is done, let it rest in the closed convection steam oven for an additional 10 minutes after turning it off. This will help the meat retain its juices.

Using the Steam Convection mode makes the meat particularly tender and juicy on the inside while forming a crust on the outside.

Food	Amount/ Weight	Accessories	Oven Mode	Temperature	Cooking Time
<b>Poultry</b>					
Chicken, whole	2.65 lbs. (1.2 kg)	Wire rack + baking pan (level 2)	Steam Convection	360 – 375°F (180 – 190°C)	50 – 60 min.
Chicken, halved	per 1 lbs. (0.4 kg)	Wire rack + baking pan (level 2)	Steam Convection	360 – 375°F (180 – 190°C)	35 – 45 min.
Chicken breast	per 0.33 lbs. (0.15 kg)	Perforated (level 3) + baking pan (level 1)	Steam	212°F (100°C)	15 – 25 min.
Chicken pieces	per 2.65 lbs. (1.2 kg)	Wire rack + baking pan (level 2)	Steam Convection	360 – 375°F (180 – 190°C)	20 – 35 min.
Duck, whole	4.5 lbs. (2 kg)	Wire rack + baking pan (level 2)	Steam Conv/ True Convection	340°F (170°C)/ 410°F(210°C)	60 – 80 min./ 15 – 20 min.
Duck breast*	per 0.77 lbs. (0.35 kg)	Wire rack + baking pan (level 2)	Steam Convection	360 – 375°F (180 – 190°C)	10 – 15 min.
Turkey, whole, unstuffed	8 – 11 lbs.	Wire rack + baking pan (level 2)	Steam Convection	325°F (165°C)	50 – 75 min.
Turkey, whole, unstuffed**	12 – 14 lbs.	Wire rack + baking pan (level 2)	Steam Convection	325°F (165°C)	80 – 95 min.
Turkey breast	2 lbs. (1 kg)	Wire rack + baking pan (level 2)	Steam Convection	300 – 320°F (150 – 160°C)	60 – 80 min.

\* Sear first

\*\* Use baking pan 1 5/8" deep (see Additional Accessories)

Food	Amount/ Weight	Accessories	Oven Mode	Temperature	Cooking Time
<b>Beef</b>					
Pot-roasted beef*	3.5 lbs. (1.5 kg)	Wire rack + baking pan (level 2)	Reheat	285 – 300°F (140 – 150°C)	100 – 140 min.
Filet of beef, medium*	2 lbs. (1 kg)	Wire rack + baking pan (level 2)	Reheat	340 – 360°F (170 – 180°C)	20 – 28 min.
Thin slice of roast beef, medium*	2 lbs. (1 kg)	Wire rack + baking pan (level 2)	True Convection	340 – 360°F (170 – 180°C)	40 – 55 min.
Thick slice of sirloin, medium*	2 lbs. (1 kg)	Wire rack + baking pan (level 2)	True Convection	340 – 360°F (170 – 180°C)	45 – 60 min.
<b>Veal</b>					
Veal, bone-in	3.5 lbs. (1.5 kg)	Wire rack + baking pan (level 2)	Steam Convection	320 – 360°F (160 – 180°C)	50 – 70 min.
Veal loin	2 lbs. (1 kg)	Wire rack + baking pan (level 2)	Steam Convection	320 – 360°F (160 – 180°C)	15 – 25 min.
Breast of veal, stuffed	3.5 lbs. (1.5 kg)	Wire rack + baking pan (level 2)	Steam Convection	285 – 320°F (140 – 160°C)	75 – 120 min.
<b>Pork</b>					
Bone-in without rind	3.5 lbs. (1.5 kg)	Wire rack + baking pan (level 2)	Steam Convection	320 – 360°F (160 – 180°C)	50 – 70 min.
Bone-in with rind	3.5 lbs. (1.5 kg)	Wire rack + baking pan (level 2)	Steam/ Steam Convection  True Convection	212°F (100°C)/ 285 – 320°F (140 – 160°C) 410 – 430°F (140 – 160°C)	20 – 25 min. 40 – 50 min.  20 min.
Pork chop, boneless*	1.2 lbs. (0.5 kg)	Wire rack + baking pan (level 2)	Steam Convection	285 – 320°F (140 – 160°C)	75 – 120 min.
Ham on the bone	2 lbs. (1 kg)	Wire rack + baking pan (level 2)	Steam Convection	250 – 285°F (120 – 140°C)	60 – 70 min.
Pork ribs	Sliced	Baking pan (level 2)	Steam	212°F (100°C)	15 – 20 min.
<b>Other</b>					
Meat loaf	made from 1.2 lbs. (0.5 kg) ground meat	Baking pan (level 2)	Steam Convection	340 – 360°F (170 – 180°C)	45 – 60 min.
Boned leg of lamb	3.5 lbs. (1.5 kg)	Wire rack + baking pan (level 2)	Steam Convection	340 – 360°F (170 – 180°C)	60 – 80 min.
Loin of lamb on the bone*	3.5 lbs. (1.5 kg)	Wire rack + baking pan (level 2)	Steam Convection	320 – 360°F (160 – 180°C)	15 – 25 min.
Sausages	–	Perforated (level 3) + baking pan (level 1)	Steam	175 – 185°F (80 – 85°C)	12 – 18 min.
<b>Fish</b>					
Whole	per 0.66 lbs. (0.3 kg)	Perforated (level 3) + baking pan (level 1)	Steam	175 – 195°F (80 – 90°C)	15 – 25 min.
Fillet	per 3.5 lbs. (1.5 kg)	Perforated (level 3) + baking pan (level 1)	Steam	175 – 195°F (80 – 90°C)	10 – 20 min.
Trout, whole	per 0.5 lbs. (0.2 kg)	Perforated (level 3) + baking pan (level 1)	Steam	175 – 195°F (80 – 90°C)	12 – 15 min.

\* Sear first

\*\* Use baking pan 1 5/8" deep (see Additional Accessories)

Food	Amount/ Weight	Accessories	Oven Mode	Temperature	Cooking Time
Cod, filet	per 0.33 lbs. (0.15 kg)	Perforated (level 3) + baking pan (level 1)	Steam	175 – 195°F (80 – 90°C)	10 – 14 min.
Salmon, filet	per 0.33 lbs. (0.15 kg)	Perforated (level 3) + baking pan (level 1)	Steam	212°F (100°C)	8 – 10 min.
Clams or oysters	0.33 lbs. (0.15 kg)	Baking pan (level 2)	Steam	212°F (100°C)	10 – 15 min.
Haddock or perch filet	per 0.5 lbs. (0.2 kg)	Perforated (level 3) + baking pan (level 1)	Steam	175 – 195°F (80 – 90°C)	10 – 20 min.
Stuffed sole rolls	–	Perforated (level 3) + baking pan (level 1)	Steam	175 – 195°F (80 – 90°C)	10 – 20 min.
Shrimp, large	per 1 lb (0.4 kg)	Perforated (level 3) + baking pan (level 1)	Steam	212°F (100°C)	8 – 13 min.
Shrimp, medium	per 1 lb (0.4 kg)	Perforated (level 3) + baking pan (level 1)	Steam	212°F (100°C)	5 – 8 min.

\* Sear first

\*\* Use baking pan 1 5/8" deep (see Additional Accessories)

## Roasting Tips

When is the roast done?	Use the built-in meat probe to measure the meat temperature.
The roast is too dark and crust is burned in some areas.	Check the rack level and temperature.
The roast turned out well, but the sauce is burned.	Next time, use a smaller roasting pan or add more liquid.
The roast looks good, but the sauce is too light and runny.	Next time, use a larger roasting pan or add less liquid.

## Slow Cooking Meat

Slow cooking is ideal for cooking all tender cuts of meat that will be cooked medium rare. The meat stays very moist and is tender.

**Sear the meat well on all sides on the cooktop.** Place the meat in the preheated oven and continue to slow cook. After it is done, arrange it on preheated plates and add a warm sauce on top.

Food	Amount/Weight	Accessories	Temperature	Cooking Time
Boned leg of lamb	2 – 3.5 lbs. (1 – 1.5 kg)	Baking pan (level 2)	175°F (80°C)	140 – 160 min.
Roast beef	3.5 – 5.5 lbs. (1.5 – 2.5 kg)	Baking pan (level 2)	175°F (80°C)	150 – 180 min.
Pork fillets	–	Baking pan (level 2)	175 – 195°F (80 – 90°C)	50 – 70 min.
Pork medallions	–	Baking pan (level 2)	175°F (80°C)	50 – 60 min.
Beef steaks	approx. ½" thick	Baking pan (level 2)	175°F (80°C)	40 – 80 min.
Duck breast	–	Baking pan (level 2)	175°F (80°C)	35 – 55 min.

## Souffles, Casseroles, Additions to Soups, etc.

Food	Accessories	Oven Mode	Temperature	Cooking Time
Lasagna	Baking pan (level 2)	Steam Convection	320 – 340°F (160 – 170°C)	35 – 45 min.
Souffles	Souffle dish + wire rack (level 2)	Steam Convection	360 – 390°F (180 – 200°C)	15 – 25 min.
Semolina dumplings	Perforated (level 3) + baking pan (level 1)	Steam	195°F (205°C)	7 – 10 min.

## Desserts, Compotes

**Compote:** Weigh out the fruit, add approximately 1/3 of water and add sugar and spices to taste.

**Rice pudding:** Weigh out the rice and add 2.5 times as much milk. Add the rice and milk no higher than 1 inch up the side of the accessory. Stir after cooking. The remaining milk will be absorbed quickly.

**Yogurt:** Heat the milk on the cooktop to 195°F (90°C). Remove from heat and let cool to 105°F (40°C). Heating the milk is not required if using ultra high temperature (UHT) milk. Stir in one to two teaspoons of plain yogurt, or the appropriate amount of yogurt starter per 100 ml of milk. Pour the mixture into sterilized 8 oz. glass jars and cover with lids. Place jars in oven and steam as indicated below. After preparation, place the jars in the refrigerator to cool overnight.

Food	Accessories	Oven Mode	Temperature	Cooking Time
Yeast dumplings	Baking pan	Steam	212°F (100°C)	20 – 25 min.
Egg custard	Mold + wire rack	Steam	195 – 205°F (90 – 95°C)	15 – 20 min.
Sweet baked items (such as bread pudding)	Ovenproof dish + wire rack	Steam Convection	320 – 340°F (160 – 170°C)	50 – 60 min.
Rice pudding	Baking pan	Steam	212°F (100°C)	25 – 35 min.
Yogurt	Portion-sized jars + wire rack	Steam	105°F (40°C)	5 – 6 hours
Apple compote	Baking pan	Steam	212°F (100°C)	10 – 15 min.
Pear compote	Baking pan	Steam	212°F (100°C)	10 – 15 min.
Cherry compote	Baking pan	Steam	212°F (100°C)	10 – 15 min.
Rhubarb compote	Baking pan	Steam	212°F (100°C)	10 – 15 min.
Plum compote	Baking pan	Steam	212°F (100°C)	10 – 15 min.

## Cakes and Baked Goods

Dark metal baking pans are recommended. The temperature and cooking time depend on the quantity and consistency of the dough. Temperature ranges are therefore provided in the charts. Start with a lower temperature setting. This will provide for more even browning. Use a higher temperature setting the next time, if necessary. **DO NOT** overfill the baking pan.

Food	Accessories	Oven Mode	Temperature	Cooking Time
<b>Cake in Molds or Springform Pans</b>				
Sponge cake	10-inch tube pan (level 2)	True Convection	300 – 320°F (150 – 160°C)	60 – 70 min.
Delicate fruit flan, sponge	Springform cake pan (level 2)	True Convection	300 – 320°F (150 – 160°C)	45 – 55 min.
Sponge base (2 eggs)	Ring (level 2)	True Convection	360 – 375°F (180 – 175°C)	12 – 16 min.
Sponge flan (6 eggs)	Springform cake pan (level 2)	True Convection	300 – 320°F (150 – 160°C)	25 – 35 min.

Food	Accessories	Oven Mode	Temperature	Cooking Time
Pastry crust	Springform cake pan (level 2)	True Convection	300 – 320°F (150 – 160°C)	40 – 50 min.
Swiss flan	Springform cake pan (level 2)	True Convection	360 – 375°F (180 – 175°C)	35 – 60 min.
Bundt®	Bundt® cake pan (level 2)	True Convection	325 – 350°F (163 – 177°C)	35 – 45 min.
Savory cakes	Quiche dish (level 2)	True Convection	360 – 375°F (180 – 175°C)	35 – 60 min.
Apple tart	Flan base cake pan (level 2)	True Convection	340 – 375°F (170 – 190°C)	35 – 50 min.
<b>Sheet cakes</b>				
Yeast cake	Baking pan (level 2)	Steam Convection/  True Convection	300 – 320°F (150 – 160°C)/ 300 – 320°F (150 – 160°C)	35 – 45 min.  35 – 45 min.
Swiss roll	Baking pan (level 2)	True Convection	360 – 375°F (180 – 175°C)	10 – 15 min.
Braided loaf	Baking pan (level 2)	Steam Convection	300 – 320°F (150 – 160°C)	25 – 35 min.
Strudel, sweet	Baking pan (level 2)	Steam Convection	320 – 360°F (160 – 180°C)	40 – 60 min.
<b>Bread, Bread Rolls</b>				
White bread, 1.7 lbs. (0.75 kg) flour	Baking pan + parchment paper (level 2)	Steam Convection/  True Convection	390 – 410°F (200 – 210°C)/ 320 – 340°F (160 – 170°C)	15 – 20 min./  20 – 25 min.
Sourdough bread, 1.7 lbs. (0.75 kg) flour	Baking pan + parchment paper (level 2)	Steam Convection/  True Convection	390 – 410°F (200 – 210°C)/ 300 – 320°F (150 – 160°C)	15 – 20 min./  40 – 60 min.
Multigrain bread, 1.7 lbs. (0.75 kg) flour	Baking pan + parchment paper (level 2)	Steam Convection/  True Convection	390 – 430°F (200 – 220°C)/ 320 – 340°F (160 – 170°C)	15 – 20 min./  25 – 40 min.
Whole grain bread, 1.7 lbs. (0.75 kg) flour	Baking pan + parchment paper (level 2)	Steam Convection/  True Convection	390 – 430°F (200 – 220°C)/ 285 – 300°F (140 – 150°C)	20 – 30 min./  40 – 60 min.
Rye bread, 1.7 lbs. (0.75 kg) flour	Baking pan + parchment paper (level 2)	Steam Convection/  True Convection	390 – 430°F (200 – 220°C)/ 300 – 320°F (150 – 160°C)	20 – 30 min./  50 – 60 min.
Bread rolls, 0.15 lbs. (70 g) each, unbaked	Baking pan + parchment paper (level 2)	Steam Convection	375 – 390°F (190 – 200°C)	25 – 30 min.
Bread rolls made with sweet yeast dough, 0.15 lbs. (70 g) each, unbaked	Baking pan + parchment paper (level 2)	Steam Convection	340 – 360°F (170 – 180°C)	20 – 30 min.

Food	Accessories	Oven Mode	Temperature	Cooking Time
<b>Small Baked Products</b>				
Meringue	Baking pan (level 2)	True Convection	175 – 195°F (80 – 90°C)	120 – 180 min.
Macaroons	Baking pan (level 2)	True Convection	285 – 320°F (140 – 160°C)	15 – 25 min.
Puff pastry	Baking pan (level 2)	Steam Convection	340 – 375°F (170 – 190°C)	10 – 20 min.
Muffins	Muffin pan (level 2)	True Convection	340 – 375°F (170 – 190°C)	20 – 30 min.
Choux pastry, such as cream puffs	Baking pan (level 2)	True Convection	340 – 375°F (170 – 190°C)	27 – 35 min.
Biscuits	Baking pan (level 2)	True Convection	300 – 320°F (150 – 160°C)	12 – 17 min.
Leavened cake, such as apple cake	Baking pan (level 2)	True Convection	300 – 320°F (150 – 160°C)	15 – 20 min.

## Baking Tips

If using your own recipe.	Look at cakes or baked goods in the table that are similar to your recipe.
This will help to determine if the cake is cooked through.	About 10 minutes before the end of baking time according to your recipe, stick a toothpick into the highest part of the cake. The cake is done when the batter no longer sticks to the toothpick.
Cake collapses.	Next time, use less liquid or set oven temperature 20°F (10°C) lower. Use the mixing times specified in the recipe.
The center of the cake is higher than on the sides.	Do not grease the sides of the springform or cake pan. After baking, carefully remove the cake from the pan using a knife.
Springform or loaf cake is too dark in the back.	Do not place the baking pan up against the back wall of the oven. Place it on the center of the rack
Cake is too dry.	Use a toothpick to make small holes in the finished cake and pour drops of fruit juice or alcoholic beverage over the cake. Next time, set the temperature 20°F (10°C) higher and shorten the baking time or use the Steam Convection oven mode.
The bread or cake looks good, but is runny inside (overly moist, has streaks of liquid running through it.)	Next time, use less liquid. Bake a little longer and at a lower temperature. Prebake crusts for pies and cakes with juicy/runny fillings. Sprinkle crust with almonds or bread crumbs and then add the filling. Use the baking time specified in the recipe.
Cakes or baked goods brown unevenly.	Set the temperature a little lower next time.

## Reheating Foods

Food	Accessories	Oven Mode	Temperature	Time
Dinner plate	Wire rack (level 2)	Reheat	250°F (120°C)	12 – 18 min.
Vegetables	Baking pan (level 3)	Reheat	212°F (100°C)	12 – 15 min.
Noodles, potatoes, rice	Baking pan (level 3)	Reheat	212°F (100°C)	5 – 10 min.
Bread rolls	Wire rack (level 2)	Steam Convection	340 – 360°F (170 – 180°C)	6 – 8 min.
Baguettes	Wire rack (level 2)	Steam Convection	340 – 360°F (170 – 180°C)	5 – 10 min.
Bread	Wire rack (level 2)	Steam Convection	340 – 360°F (170 – 180°C)	8 – 12 min.
Pizza	Wire rack + baking pan (level 3)	Reheat	340 – 360°F (170 – 180°C)	12 – 15 min.

## Defrosting

Freeze the food as flat as possible and in appropriate portions at -0°F (-18°C). Do not freeze oversized portions. Defrosted food does not keep as long and spoils more quickly than fresh food. Defrost the food in the freezer bag on a plate or in the perforated baking pan. Always slide the baking pan under the perforated baking pan. This keeps the food from lying in the defrosted water and keeps the oven clean. Use the Defrost mode. If necessary, while the food is thawing, split it up or take pieces that have already thawed out of the appliance. Let the food sit for another 5 – 15 minutes after it has thawed to reach room temperature.



### WARNING:

When defrosting animal food products, make sure to remove the thawed liquid. The liquid must not come into contact with other food products. Bacteria could be transferred to the other food. After the food has thawed, remove the food and then heat up the steamer oven using True Convection for 15 minutes at 360°F (180°C).

**Defrosting meats:** Thaw cuts of meat that will be breaded just until seasonings and bread crumbs can stick to the meat.

**Defrosting poultry:** Remove from packaging before defrosting. Make sure to pour out any defrosted liquid.

Food	Amount/Weight	Accessories	Cooking Time
Chicken parts, bone-in	2 lbs. (1 kg)	Perforated (level 3) + baking pan (level 1)	60 – 70 min.
Chicken parts, boneless	1 lb. (0.4 kg)	Perforated (level 3) + baking pan (level 1)	30 – 35 min.
Block-frozen vegetables (such as spinach)	1 lb. (0.4 kg)	Perforated (level 3) + baking pan (level 1)	20 – 30 min.
Berries	0.66 lbs. (0.3 kg)	Perforated (level 3) + baking pan (level 1)	5 – 8 min.
Fish fillets	1 lb. (0.4 kg)	Perforated (level 3) + baking pan (level 1)	15 – 20 min.
Beef	–	Perforated (level 3) + baking pan (level 1)	70 – 80 min.

## Proofing Dough

The dough rises much faster using this mode than at room temperature.

Place the dough-rising bowl on the rack. **DO NOT** cover the dough.

Food	Amount/Weight	Accessories	Temperature	Proofing Time
Yeast dough	2 lbs. (1 kg)	Bowl + wire rack	100°F (38°C)	20 – 30 min.
Sourdough	2 lbs. (1 kg)	Bowl + wire rack	100°F (38°C)	20 – 30 min.

## Frozen Products

Follow the manufacturer's instructions on packaging. The specified cooking times apply to dishes placed in a cold oven.

Food	Accessories	Oven Mode	Temperature	Cooking Time
French fries	Baking pan + parchment paper (level 2)	True Convection	340 – 375°F (170 – 190°C)	25 – 35 min.
Croquettes	Baking pan + parchment paper (level 2)	True Convection	360 – 390°F (180 – 200°C)	18 – 22 min.
Thinly sliced fried potatoes	Baking pan + parchment paper (level 2)	True Convection	360 – 390°F (180 – 200°C)	25 – 30 min.
Pasta, fresh, refrigerated*	Baking pan + parchment paper (level 2)	Steam	212°F (100°C)	5 – 10 min.
Lasagna, frozen	Baking pan + wire rack (level 2)	Steam Convection	375 – 410°F (190 – 210°C)	35 – 55 min.
Pizza, thin crust	Baking pan + wire rack (level 2)	True Convection	360 – 390°F (180 – 200°C)	15 – 23 min.
Pizza, deep dish	Baking pan + wire rack (level 2)	True Convection	360 – 390°F (180 – 200°C)	18 – 25 min.
Pizza, french bread	Baking pan + wire rack (level 2)	True Convection	360 – 390°F (180 – 200°C)	18 – 22 min.
Chilled pizza	Baking pan + parchment paper (level 2)	True Convection	340 – 360°F (170 – 180°C)	12 – 17 min.
Herb butter baguettes, refrigerated	Baking pan (level 2)	True Convection	360 – 390°F (180 – 200°C)	15 – 20 min.
Pretzels, frozen	Baking pan + parchment paper (level 2)	True Convection	360 – 390°F (180 – 200°C)	18 – 22 min.
Partially cooked bread rolls or baguettes, pre-baked	Baking pan + parchment paper (level 2)	True Convection	300 – 340°F (150 – 170°C)	18 – 22 min.
Strudel, frozen	Baking pan + parchment paper (level 2)	Steam Convection	320 – 360°F (160 – 180°C)	45 – 60 min.
Fish sticks	Baking pan + parchment paper (level 2)	True Convection	380 – 400°F (195 – 205°C)	20 – 24 min.
Whole fish	Perforated (level 3) + baking pan (level 1)	Steam	175 – 212°F (80 – 100°C)	20 – 25 min.
Frozen fish fillets	Baking pan + wire rack (level 2)	Steam Convection	360 – 390°F (180 – 200°C)	35 – 50 min.
Salmon fillets	Perforated (level 3) + baking pan (level 1)	Steam	175 – 212°F (80 – 100°C)	20 – 25 min.
Broccoli	Perforated (level 3) + baking pan (level 1)	Steam	212°F (100°C)	4 – 6 min

\*Add a little liquid

Food	Accessories	Oven Mode	Temperature	Cooking Time
Cauliflower	Perforated (level 3) + baking pan (level 1)	Steam	212°F (100°C)	5 – 8 min.
Green beans	Perforated (level 3) + baking pan (level 1)	Steam	212°F (100°C)	4 – 6 min
Peas	Perforated (level 3) + baking pan (level 1)	Steam	212°F (100°C)	4 – 6 min
Carrots	Perforated (level 3) + baking pan (level 1)	Steam	212°F (100°C)	3 – 5 min.
Mixed vegetables	Perforated (level 3) + baking pan (level 1)	Steam	212°F (100°C)	4 – 8 min.
Brussels sprouts	Perforated (level 3) + baking pan (level 1)	Steam	212°F (100°C)	5 – 10 min.

\*Add a little liquid

## Special Foods

Food	Size	Accessories	Oven Mode	Temperature	Cooking Time
Soft cooked eggs	Large	Perforated + (level 3) Baking Pan (level 1)	Steam	212°F (100°C)	9 – 11 min.
Hard cooked eggs	Large	Perforated + Baking Pan	Steam	212°F (100°C)	14 – 17 min.

## Tips

### Ovenware

- Use the accessories that come with the appliance. If you use ovenware, always place it in the center of the rack. The ovenware must be heat and steam resistant. Thick-walled ovenware extends the cooking time.
- Use foil to cover food that would normally be prepared in a water bath (such as when melting chocolate).

### Steaming


- When steaming, the cooking times are based on the size of the piece, not on the entire quantity of food. The appliance can steam up to 14 lbs. (6.4 kg) of food.
- Note the sizes of pieces listed in the tables. The cooking time is shorter for smaller pieces and longer for larger pieces. The quality and age of the food also affect the cooking time. The values provided therefore serve only as a guideline.
- Always distribute the food evenly in the ovenware. If the food is placed unevenly in the ovenware, it will cook unevenly.
- Do not layer delicate foods too high in the baking pan. It is better to use two pans in this case.

# Cleaning and Maintenance

## Cleaning

### NOTICE:

- Remove food residue and spills from the cavity immediately after the appliance has cooled down. Burned on residue is very difficult to remove at a later time.
- Salts are very abrasive and can cause rust spots. Remove residue left by strong sauces (ketchup, mustard) or salted foods immediately after the oven has cooled down.

 <b>WARNING:</b>
RISK OF BURNS — Wait until the appliance has cooled down before cleaning.



### WARNING:

RISK OF SHORT CIRCUITING — Never use pressure washers or steam jet blowers to clean the appliance.

### Cleaning Sponge

Use the cleaning sponge to remove any water remaining in the evaporator dish. Wipe down the oven using the cleaning sponge and dry afterwards using a soft cloth.

The cleaning sponge provided is very absorbent. Use the cleaning sponge only to clean the oven cavity and to remove any remaining water from the evaporator dish.

Wash the cleaning sponge thoroughly before initial use. The cleaning sponge can be washed in a dishwasher.

## Cleaners

<b>Appliance exterior</b>	Soapy water, use a soft cloth to dry.
aluminum front panel/handle	Mild window cleaner. Wipe using a soft window cloth or a lint-free microfiber cloth at a horizontal angle without placing pressure on the surfaces.
stainless steel front trim, door handle	Soapy water, use a soft cloth to dry. Always remove lime deposits, grease, oil, starch and egg white stains immediately after the appliance has cooled down. Special stainless steel cleaners are available through customer service or at retail stores.
<b>Oven interior</b>	Warm soapy water or vinegar and water mixture. Use the cleaning sponge provided or a soft dishwashing brush. <b>NOTICE:</b> Never use steel wool or abrasive pads! The oven cavity can rust. If heavily soiled, use an all-purpose cleaner, such as Simple Green. Follow package directions for mixing. Spray on soils, allow to work for 15 - 30 minutes, then wipe the entire cavity with paper towels or cloth. Run Steam Clean cycle so the cavity is rinsed thoroughly. <b>NOTICE:</b> Do not allow the oven light, bulb or door gaskets to come in contact with the cleaner.
<b>Evaporator dish</b>	Warm soapy water or vinegar and water mixture.
<b>Outer gasket on oven</b>	Warm soapy water.
<b>Water tank</b>	Soapy water. Do not clean in dishwasher!
Tank slot	Wipe dry after each use.
Lid seal	Dry well after each use.
<b>Rack rails</b>	Use warm soapy water or wash in dishwasher (see <i>Cleaning Racks</i> ).
<b>Glass in doors</b>	Glass cleaner.
<b>Accessories</b>	Soak in warm soapy water. Clean with a brush or kitchen sponge or wash in dishwasher. Use a water and vinegar mixture for stains or discoloration caused by starchy foods (such as rice).

## Important:

Never use abrasives to clean the steam oven.

Remove all traces of cleaners used in the steam oven by carefully following all instructions for wiping out the oven and running rinse cycles. Cleaner residues can bond to the glass in the oven door. They can also adversely affect the flavor of foods cooked in the steam oven.

Never use steel wool or abrasive pads to clean the steam oven. The oven cavity can rust if not properly cared for.

## Steam Cleaning

Steam cleaning uses steam to help dissolve food residue and spills in the oven so that they can be easily wiped up. Steam cleaning includes an exposure phase at 212°F (100°C), a cleaning phase at cooler temperatures, and two rinse cycles. Steam cleaning requires a total time of 30 – 35 minutes.

You can start STEAM CLEAN only when the oven is set to OFF and is completely cooled down. **Operation of the appliance will be blocked if Steam Clean is canceled. The appliance cannot be operated again until after the first and second cleaning cycle to ensure that no cleaning agent remains inside.**

### NOTE:

Steam Cleaning requires 3 start/stop cycles to complete its operation. Steam Clean cannot be aborted once started. All three cycles must be completed before the appliance will become operational again.

### Cleaning Phase (cycle 1)

1. Let the oven cool down and remove any accessories.
2. Using the cleaning sponge provided with the oven (or a comparable soft sponge or cloth), clean the evaporator dish.
3. Fill the water tank to MAX.
4. Add a drop of dishwashing liquid to the evaporator dish.
5. On the display, under the SETTINGS menu, scroll with the “+/-” buttons to STEAM CLEAN and press “ENTER”.
6. The display will then show START STEAM CLEAN? YES. Press ENTER again.
  - Toggling with the “+/-” buttons gives the option START STEAM CLEAN? NO. If you press “ENTER” when the display shows START STEAM CLEAN? NO, the display returns to the previous menu, showing STEAM CLEAN under the SETTINGS menu.

7. Press “ENTER” to begin steam cleaning.
  - The display will show EXPOSURE PHASE on the first line and exposure time of 10 minutes on the second line. The display will start counting down from 10:00 to 0:00. The display will then show CLEANING PHASE and a total time of 20 minutes. Countdown from 20:00 to 0:00 will begin.

At the end of the cleaning phase (about 30 minutes), the countdown will be suspended and a buzzer will sound. The display will show CLEAN DISH on the first line and PRESS ENTER BUTTON on the second line. **DO NOT** press ENTER before following the instructions below.

### First Rinse (cycle 2)

8. Remove the rack rails from the oven and clean softened food residues from them (see “Rack Cleaning” on page 33).
9. Using a **soft** dishwashing brush and the cleaning sponge, wipe out the partly dissolved food residues from the oven and the evaporator dish. Thoroughly wash out the cleaning sponge.
10. Check the water tank, refill it, and slide it back in.
11. Press “ENTER” to start the first rinse cycle.
  - The display will show 1ST RINSE on the first line. The countdown will resume, and after a short time (about 20 seconds), a beep will signal the end of the first rinse.
  - The display will show CLEAN DISH on the first line and PRESS ENTER BUTTON on the second line.
12. Using the cleaning sponge, wipe out the evaporator dish. Thoroughly rinse out the cleaning sponge.

### Second Rinse (cycle 3)

13. Press “ENTER” to start the second rinse cycle.
  - The display will show 2ND RINSE on the first line. The countdown will resume, and after another 20 seconds a beep will signal the end of STEAM CLEAN. The display will show STEAM CLEAN FINISHED on the first line and CLEAN DISH on the second line.
14. Using the cleaning sponge, wipe any remaining water from the evaporator dish, and wipe down the oven. Thoroughly rinse out the cleaning sponge.
15. Using a soft cloth, dry the oven cavity.

## Descaling the Steam Oven

Unless you use softened water, you will need to descale the steam oven at regular intervals. Once you have set your water hardness level (see *page 7*), the steam oven display will automatically inform you when descaling is needed. Descaling includes an exposure, two descaling phases, and two rinse cycles, with a total time of 30-35 minutes.

Water Hardness	Operation Hour Counter
1 – softened	unlimited, no message
2 – soft	400 hours
3 – medium	200 hours
4 – hard	100 hours
5 – very hard	70 hours

If the number of hours of operation is exceeded, the DESCALE NEEDED message will be displayed each time when a new heating mode is selected. Select ENTER to continue. After the Descaling operation is finished, the operation hour counter will be reset and the message will no longer be displayed.

You can start DESCALE only when the oven is set to OFF and is completely cooled down. Once descaling begins, it should not be interrupted. It is very important that all rinse cycles are completed. **Operation of the appliance will be blocked if Descale is canceled. The appliance cannot be operated again until after the first and second cleaning cycle to ensure that no cleaning agent remains inside.**

### NOTE:

Descaling requires 3 start/stop cycles to complete its operation.

### Descaling Phase (cycle 1)

1. Using only the descaling powder recommended for this oven (BSH part number 573828; obtain from your retailer or order from <http://www.thermador-eshop.com>), mix 32 oz. (1 quart or 0.95 liter) of water with a packet of powder descaler to produce the descaling solution.
2. Empty the water tank and refill it with the descaling solution. Return water tank to tank duct.
3. On the display, under the **SETTINGS** menu, scroll with the “+/-” buttons to **DESCALE** and press “**ENTER**”. The display will then show **START DESCALE? YES**.
  - Toggling with the “+/-” buttons gives the option **START DESCALE? NO**. If you press “**ENTER**” when the display shows **START DESCALE? NO**, the display returns to the previous menu, showing **DESCALE** under the **SETTINGS** menu.

4. Press “**ENTER**” to begin descaling.
  - The display will show **EXPOSURE PHASE** on the first line and **10:00** on the second line, and the countdown to **0:00** begins. At this point **DESCALE PHASE** is displayed, and with a time of 20 minutes.

At the end of the descaling phase, the countdown is suspended and a beep will sound. The display will show **CLEAN DISH, FILL TANK** on the first line and **AND WIPE OUT OVEN** on the second line.

### First Rinse (cycle 2)

5. Remove the water tank and wash it out thoroughly, fill it with water and slide it back in.
6. Using the cleaning sponge provided with your oven (or a comparable soft cloth or sponge), wipe any water out of the evaporator dish and wipe out the oven. Thoroughly wash out the cleaning sponge.
7. The display will now show **PRESS ENTER BUTTON**. Press “**ENTER**” to start the first rinse cycle.
  - The display will show **1ST RINSE** on the first line. The countdown will resume.
8. After 20 seconds, a beep will signal the end of the first rinsing cycle. The display will show **CLEAN DISH** on the first line and **PRESS ENTER BUTTON** on the second line.
9. Using the cleaning sponge, wipe any water out of the evaporator dish.

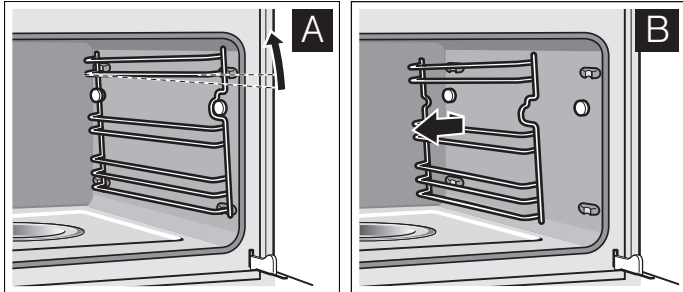
### Second Rinse (cycle 3)

10. Press “**ENTER**” to start the second rinse cycle.
  - The display will show **2ND RINSE** on the first line. The countdown will resume again.
11. After 20 seconds, a beep will signal the end of **DESCALE**. The display will show **DESCALE FINISHED** on the first line and **CLEAN DISH** on the second line.
12. Using the cleaning sponge, wipe any water out of the evaporator dish and wipe out the oven. Thoroughly rinse out the cleaning sponge.
13. Using a soft cloth, dry the oven cavity.

## Rack Cleaning

### Removing racks

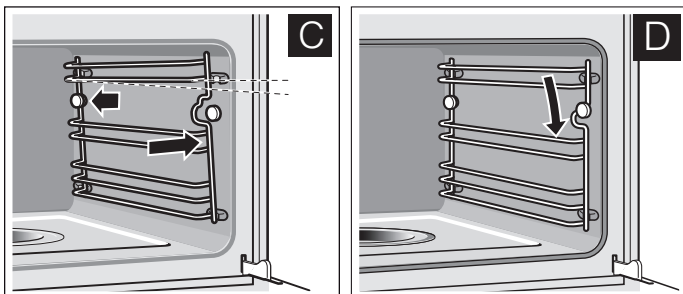
1. Carefully press the front of the rack up until it unhinges and release it sideways from the bracket (image A).
2. Unhinge the rack from the bracket and remove it (image B).



3. Clean racks with dish detergent and dish sponge/brush or clean racks in the dish washer.

### Reinserting racks

1. Insert the rack with the indentations facing up. The racks each only fit on one side.
2. Hook rack in back and push it back until it engages (image C).
3. Hook rack on the front bracket and press down until it engages and is horizontally secured in the appliance (image D).

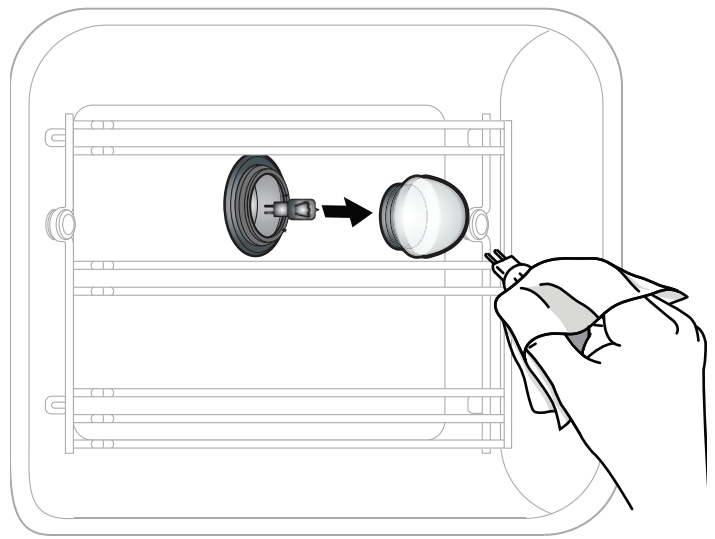


## Maintenance

### To Replace the Steam Oven Light Bulb

Heat-resistant 230V / 25W max. halogen bulbs with seals can be purchased through retail stores or customer service. When purchasing through customer service provide the appliance model and serial numbers.

1. Turn off power to the appliance at the main power supply (breaker box).
2. Rotate the cover counterclockwise.
3. Remove the bulb by grasping and pulling the bulb straight back.
4. Do not touch the glass of the new replacement bulb with your fingers. It may cause the bulb to fail when it first lights. Grasp the replacement bulb with a clean dry cloth. Locate the two prongs in the ceramic holder, gently poking until the two prongs locate in the ceramic socket.
5. Ensure the seals and tension ring are on the glass cover. Screw the glass cover on.
6. Reconnect the appliance to power.



Never operate the appliance without the glass cover or seals.

# Service

## Troubleshooting

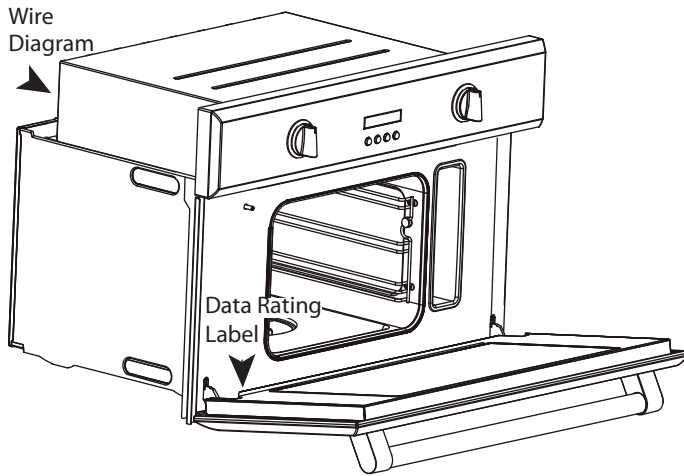
If you encounter a problem, it often will merely be something minor. Before you call customer service, consider the suggestions and instructions below.

Problem	Possible Cause	Tip/Solution
Appliance is not working	Cord is not plugged in	Connect appliance to power.
	Power outage	Check if other kitchen appliances are working.
	Defective fuse	Check the fuse or breaker box to see if the breaker or fuse to the appliance is working.
	Faulty operation	Turn off power to the appliance at the main power supply (fuse or breaker box) and turn it back on after approximately 10 seconds.
Appliance does not start	Appliance door is not closed all the way	Close the appliance door.
Water tank empties without any apparent reason. Evaporator dish is overflowing.	Water tank was not closed properly	Close the tank lid until it clearly snaps into place.
	Tank lid seal is dirty	Clean the seal.
	Tank lid seal is defective	Obtain a new water tank through customer service.
Evaporator dish has been boiled dry even though the water tank is full	Water tank was not inserted correctly	Slide in the water tank until it locks into place.
	Supply line is clogged	Descale appliance. Verify that the water hardness level is set correctly.
A "plop" noise can be heard when cooking	Temperature change affecting frozen food and caused by water vapor	This is normal.
An excessive amount of steam is produced when steaming	Appliance is being calibrated automatically	This is normal.
An excessive amount of steam is repeatedly produced when steaming	Appliance cannot be calibrated automatically when cooking for short periods of time	Reset the appliance to the factory setting (see <i>Basic Settings</i> ). Next, start the Steam mode for 20 minutes at 210°F (100°C).
Steam escapes from the vent openings when cooking		This is normal.
Appliance no longer produces steam correctly	The appliance needs to be descaled	Start Decalcify mode.

## Data Rating Label and Wiring Diagram Locations

Data rating labels contain the model and serial numbers. You can find this information located on the bottom of the front frame, behind the oven door.

The electric wire diagrams and schematics are attached at the back of the appliance, and should not be removed except by a service technician, then replaced after use.



## Service Information

Repairs should only be done by a trained servicer. Improper repair of your appliance may result in risk of severe physical injury or death.

To reach a service representative, see the contact information on the back page of the manual. Whether you write or call, please provide us with the Model Number, Serial Number and Date of Original Purchase.

For handy reference, copy the information below from the data rating plate. Keep your invoice for Warranty validation.

Model Number \_\_\_\_\_

Serial Number \_\_\_\_\_

Date of Purchase \_\_\_\_\_

Dealer's Name \_\_\_\_\_

Dealer's Phone Number \_\_\_\_\_

Service Center's Name \_\_\_\_\_

Service Center's Phone Number \_\_\_\_\_

Also, enter this information on the Product Registration Form included with this product, then mail it to the indicated address.

Register your BSH product to ensure timely service and access to your product related information. You may register your product through one of the following ways:

1. Mail in the completed THERMADOR® Product Registration card.
2. Register your product online at [www.thermador.com](http://www.thermador.com).
3. Call us at THERMADOR customer service at 1-800-735-4328.

# Statement of Limited Product Warranty

## What this Warranty Covers & Who it Applies to

The limited warranty provided by BSH Home Appliances Corporation (BSH) in this Statement of Limited Product Warranty applies only to the THERMADOR® appliance sold to you, the first using purchaser, provided that the Product was purchased:

- For your normal, household (non-commercial) use, and has in fact at all times only been used for normal household purposes.
- New at retail (not a display, “as is”, or previously returned model), and not for resale, or commercial use.
- Within the United States or Canada, and has at all times remained within the country of original purchase.

The warranties stated herein apply only to the first purchaser of the Product and are not transferable.

Please make sure to return your registration card; while not necessary to effectuate warranty coverage, it is the best way for BSH to notify you in the unlikely event of a safety notice or product recall.

## How Long the Warranty Lasts

**Product built preceding January 1, 2012 with a number of FD911299999 or lower:** BSH warrants that the Product is free from defects in materials and workmanship for a period of three hundred and sixty-five (365) days from the date of purchase. The foregoing timeline begins to run upon the date of purchase, and shall not be stalled, tolled, extended, or suspended, for any reason whatsoever.

**Product built subsequent to January 1, 2012 with a number of FD920100000 or higher:** BSH warrants that the Product is free from defects in materials and workmanship for a period of seven hundred and thirty (730) days from the date of purchase. The foregoing timeline begins to run upon the date of purchase, and shall not be stalled, tolled, extended, or suspended, for any reason whatsoever.

## Repair/Replace as Your Exclusive Remedy

During this warranty period, BSH or one of its authorized service providers will repair your Product without charge to you (subject to certain limitations stated herein) if your Product proves to have been manufactured with a defect in materials or workmanship. If reasonable attempts to repair the Product have been made without success, then BSH will replace your Product (upgraded models may be available to you, in the sole discretion of BSH, for an additional charge). All removed parts and components shall

become the property of BSH at its sole option. All replaced and/or repaired parts shall assume the identity of the original part for purposes of this warranty and this warranty shall not be extended with respect to such parts. BSH's sole liability and responsibility hereunder is to repair manufacturer-defective Product only, using a BSH-authorized service provider during normal business hours. For safety and property damage concerns, BSH highly recommends that you do not attempt to repair the Product yourself, or use an un-authorized servicer; BSH will have no responsibility or liability for repairs or work performed by a non-authorized servicer. If you choose to have someone other than an authorized service provider work on your Product, **THIS WARRANTY WILL AUTOMATICALLY BECOME NULL AND VOID.** Authorized service providers are those persons or companies that have been specially trained on BSH products, and who possess, in BSH's opinion, a superior reputation for customer service and technical ability (note that they are independent entities and are not agents, partners, affiliates or representatives of BSH). Notwithstanding the foregoing, BSH will not incur any liability, or have responsibility, for the Product if it is located in a remote area (more than 100 miles from an authorized service provider) or is reasonably inaccessible, hazardous, threatening, or treacherous locale, surroundings, or environment; in any such event, if you request, BSH would still pay for labor and parts and ship the parts to the nearest authorized service provider, but you would still be fully liable and responsible for any travel time or other special charges by the service company, assuming they agree to make the service call.

## Out of Warranty Product

BSH is under no obligation, at law or otherwise, to provide you with any concessions, including repairs, pro-rates, or Product replacement, once this warranty has expired.

## Warranty Exclusions

The warranty coverage described herein excludes all defects or damage that are not the direct fault of BSH, including without limitation, one or more of the following:

- Use of the Product in anything other than its normal, customary and intended manner (including without limitation, any form of commercial use, use or storage of an indoor product outdoors, use of the Product in conjunction with air or water-going vessels).
- Any party's willful misconduct, negligence, misuse, abuse, accidents, neglect, improper operation, failure to maintain, improper or negligent installation, tampering, failure to follow operating instructions, mishandling, unauthorized service (including self-performed “fixing” or exploration of the appliance's internal workings).

- Adjustment, alteration or modification of any kind.
- A failure to comply with any applicable state, local, city, or county electrical, plumbing and/or building codes, regulations, or laws, including failure to install the product in strict conformity with local fire and building codes and regulations.
- Ordinary wear and tear, spills of food, liquid, grease accumulations, or other substances that accumulate on, in, or around the Product.
- Any external, elemental and/or environmental forces and factors, including without limitation, rain, wind, sand, floods, fires, mud slides, freezing temperatures, excessive moisture or extended exposure to humidity, lightning, power surges, structural failures surrounding the appliance, and acts of God.

In no event shall BSH have any liability or responsibility whatsoever for damage to surrounding property, including cabinetry, floors, ceilings, and other structures or objects around the Product. Also excluded from this warranty are scratches, nicks, minor dents, and cosmetic damages on external surfaces and exposed parts; Products on which the serial numbers have been altered, defaced, or removed; service visits to teach you how to use the Product, or visits where there is nothing wrong with the Product; correction of installation problems (you are solely responsible for any structure and setting for the Product, including all electrical, plumbing or other connecting facilities, for proper foundation/flooring, and for any alterations including without limitation cabinetry, walls, floors, shelving, etc.); and resetting of breakers or fuses.

TO THE EXTENT ALLOWED BY LAW, THIS WARRANTY SETS OUT YOUR EXCLUSIVE REMEDIES WITH RESPECT TO PRODUCT, WHETHER THE CLAIM ARISES IN CONTRACT OR TORT (INCLUDING STRICT LIABILITY, OR NEGLIGENCE) OR OTHERWISE. THIS WARRANTY IS IN LIEU OF ALL OTHER WARRANTIES, WHETHER EXPRESS OR IMPLIED. ANY WARRANTY IMPLIED BY LAW, WHETHER FOR MERCHANTABILITY OR FITNESS FOR A PARTICULAR PURPOSE, OR OTHERWISE, SHALL BE EFFECTIVE ONLY FOR THE PERIOD THAT THIS EXPRESS LIMITED WARRANTY IS EFFECTIVE. IN NO EVENT WILL THE MANUFACTURER BE LIABLE FOR CONSEQUENTIAL, SPECIAL, INCIDENTAL, INDIRECT, "BUSINESS LOSS", AND/OR PUNITIVE DAMAGES, LOSSES, OR EXPENSES, INCLUDING WITHOUT LIMITATION TIME AWAY FROM WORK, HOTELS AND/OR RESTAURANT MEALS, REMODELLING EXPENSES IN EXCESS OF DIRECT DAMAGES WHICH ARE DEFINITELY CAUSED EXCLUSIVELY BY BSH, OR OTHERWISE. SOME STATES DO NOT ALLOW THE EXCLUSION OR LIMITATION OF INCIDENTAL OR CONSEQUENTIAL DAMAGES, AND SOME STATES DO NOT ALLOW LIMITATIONS ON HOW LONG AN IMPLIED WARRANTY LASTS, SO THE ABOVE LIMITATIONS MAY NOT APPLY TO YOU. THIS WARRANTY GIVES YOU SPECIFIC LEGAL RIGHTS, AND YOU MAY ALSO HAVE OTHER RIGHTS WHICH VARY FROM STATE TO STATE.

No attempt to alter, modify or amend this warranty shall be effective unless authorized in writing by an officer of BSH.

**We reserve the right to make changes in the product or this manual without notification.**

---

# Table des matières

<b>Sécurité</b> .....	<b>1</b>	<b>Nettoyage et entretien</b> .....	<b>34</b>
Avant de commencer .....	1	Produits de nettoyage .....	34
<b>Mise en route</b> .....	<b>4</b>	Nettoyage à la vapeur .....	35
Identification des commandes .....	4	Détartage .....	36
Accessoires et intérieur .....	5	Nettoyage des grilles .....	37
Utilisation et entretien du réservoir d'eau .....	6	Remplacement de l'ampoule .....	38
Réglages de base .....	7	<b>Service</b> .....	<b>39</b>
Dureté de l'eau .....	7	Dépannage .....	39
Nettoyage avec le mode Steam (Vapeur) .....	8	Emplacements de la plaque signalétique et du schéma de câblage .....	40
Étalonnage automatique .....	8	Information de service .....	40
Réglages par défaut .....	8	<b>Énoncé de la garantie</b> .....	<b>41</b>
<b>Fonctionnement</b> .....	<b>10</b>	<b>Service après-vente, accessoires et pièces</b> .....	<b>dernière page</b>
Modes de cuisson .....	10		
Utilisation de l'appareil .....	11		
Minuterie de cuisine / de four .....	12		
Sonde thermique .....	13		
EasyCook® (Cuisson facile) .....	15		
<b>Tableaux et conseils de cuisson</b> .....	<b>20</b>		
Températures de cuisson recommandées .....	20		

Cet appareil électroménager de THERMADOR<sup>mc</sup> est fait par  
BSH Home Appliances Ltd.  
6696 Financial Drive, Unit 3  
Mississauga, ON L5N 7J6

## Questions?

1-800-735-4328

[www.thermador.ca](http://www.thermador.ca)

**Nous attendons de vos nouvelles!**

# Sécurité



## CONSIGNES DE SÉCURITÉ IMPORTANTES LIRE ET CONSERVER CES CONSIGNES

**POUR USAGE RÉSIDENTIEL SEULEMENT**

### Avant de commencer

**INSTALLATEUR :** Prière de laisser ces instructions d'installation avec cet appareil à l'intention du propriétaire.

**PROPRIÉTAIRE :** Prière de conserver ces instructions pour pouvoir s'y référer ultérieurement.

#### AVERTISSEMENT :



**RISQUE DE CHOC ÉLECTRIQUE**  
Débrancher l'alimentation avant d'installer ou de faire l'entretien. Avant de rétablir l'alimentation, s'assurer que toutes les commandes sont à la position d'arrêt (OFF). Tout manquement à cet égard peut entraîner la mort ou une électrocution.

#### IMPORTANT :

**Les codes locaux peuvent varier.** C'est à l'installateur qu'il incombe de s'assurer que l'installation et la mise à la terre sont conformes avec tous les codes applicables. Le non-respect des codes et règlements locaux appropriés peut annuler la garantie.

Lorsque on utilise des appareils de cuisine, il convient de suivre les consignes de sécurité de base, y compris ce qui suit :

Lire attentivement le *Guide d'utilisation et d'entretien* avant d'utiliser son nouvel appareil pour réduire le risque de feu, d'électrocution ou de lésions corporelles.

**S'assurer que l'installation et l'entretien sont effectués correctement.** Suivre les instructions du *Manuel d'installation* accompagnant ce produit. Confier l'installation et la mise à la terre électrique de l'appareil à un technicien qualifié.

**Demander à l'installateur de vous montrer où se trouve le disjoncteur.** Identifier sa position pour pouvoir le retrouver facilement.

**NE PAS réparer ni remplacer toute pièce de l'appareil à moins que cela ne soit spécifiquement recommandé par ce manuel.** Toute réparation doit être effectuée par un technicien qualifié.

### Sécurité-incendie

N'utilisez pas de papier d'aluminium ou des doublures de protection pour recouvrir une partie quelconque de l'appareil. L'utilisation d'une doublure en aluminium pourrait entraîner un risque de choc électronique ou d'incendie ou obstruer le flux d'air de combustion ou de ventilation. Le papier d'aluminium est un excellent isolant thermique sous lequel la chaleur est emprisonnée. Cela aura une incidence sur la performance de la cuisson et peut endommager le fini du four.

Si jamais des matériaux à l'intérieur du four venaient à prendre feu, conserver la porte fermée. Éteindre l'appareil et déconnecter le circuit depuis le boîtier de disjoncteurs.

Utiliser cet appareil uniquement dans le cadre de l'utilisation prévue tel que décrit dans ce manuel. Par exemple, ne jamais s'en servir pour chauffer ou réchauffer une pièce. **L'appareil ne doit jamais servir à entreposer quoi que ce soit.**

Maintenez les conduites d'aération du four dégagées.

Toujours avoir un détecteur de fumée en état de marche près de la cuisine.

Des vêtements lâches ne doivent jamais être portés lorsqu'on utilise l'appareil.

Si des vêtements ou des cheveux s'enflamment, rouler par terre immédiatement pour éteindre les flammes.

Étouffer les flammes d'un feu d'aliments, autre qu'un feu de graisse, à l'aide de bicarbonate de soude. Ne jamais utiliser d'eau sur les feux de cuisson.

Prière d'avoir à portée de main un extincteur d'incendie en bon état de marche, placé visiblement près de l'appareil et facile d'accès.



# CONSIGNES DE SÉCURITÉ IMPORTANTES

## LIRE ET CONSERVER CES CONSIGNES

### Prévention des brûlures

Des poignées mouillées ou humides entrant en contact avec les surfaces chaudes peuvent provoquer des blessures par dégagement de vapeur. Ne pas laisser les poignées toucher les éléments chauffants chauds. Ne pas utiliser de serviette ni de chiffon volumineux.

Les parois intérieures d'un four peuvent devenir suffisamment chaudes pour provoquer des brûlures. Avant et après l'utilisation, ne pas toucher les éléments chauffants ou les surfaces intérieures du four et ne pas mettre des vêtements, des poignées ou d'autres matériaux inflammables en contact avec les éléments ou ses surfaces tant qu'ils n'ont pas suffisamment refroidis. Les autres surfaces de l'appareil peuvent devenir suffisamment chaudes pour provoquer des brûlures. Parmi ces surfaces, on notera les ouvertures d'évent, les surfaces situées près de ces ouvertures et les portes de four.

Faire attention en ouvrant l'appareil. En se plaçant sur le côté, ouvrir la porte lentement et légèrement pour laisser l'air chaud et/ou la vapeur s'échapper du four. Éloigner le visage de l'ouverture et s'assurer qu'aucun enfant ou animal ne se trouve près de l'appareil. Une fois l'air chaud et/ou la vapeur sortis, continuer la cuisson. Ne pas laisser les portes ouvertes à moins que l'on soit en train de cuisiner ou de nettoyer. Ne pas laisser les portes ouvertes sans surveillance.

Ne pas chauffer ou réchauffer des contenants d'aliments non ouverts. L'accumulation de pression peut faire exploser le contenant et provoquer des blessures.

Placer toujours les grilles du four à la position souhaitée alors que le four est froid. Si une grille doit être déplacée alors que le four est chaud, ne pas laisser les poignées isolantes entrer en contact avec les éléments chauffants. Ne pas utiliser de serviette ni de chiffon volumineux.

Ne jamais préparer des aliments contenant de grandes quantités de boissons à contenu d'alcool élevé. Les vapeurs d'alcool peuvent s'enflammer à l'intérieur du four. Utiliser uniquement de petites quantités d'alcool dans les aliments et ouvrir la porte du four avec précaution.

### Sécurité des enfants

Lorsque les enfants sont assez âgés pour utiliser l'appareil, c'est aux parents ou tuteurs légaux qu'il incombe de veiller à ce qu'ils soient formés aux pratiques sécuritaires par des personnes qualifiées.

Ne pas laisser les enfants seuls ou sans surveillance lorsque l'appareil est en cours d'utilisation. Les enfants ne doivent jamais s'asseoir ou rester debout sur une partie quelconque de l'appareil. Ne pas permettre aux enfants d'utiliser cet appareil sauf sous la supervision attentive d'un adulte.

### ATTENTION :

De la vapeur chaude peut s'échapper lors de l'ouverture de la porte du four. De l'eau chaude peut s'écouler de la porte. Tenir les enfants éloignés.

### AVERTISSEMENT :

NE jamais ranger des articles d'intérêt pour les enfants dans un appareil électroménager ou dans les armoires au-dessus de l'appareil. Les enfants peuvent grimper sur l'appareil pour atteindre ces objets et se blesser sérieusement.

### Sécurité de cuisson et de cuisson à la vapeur

Le fond du four et le plat évaporateur doivent toujours être dégagés et libres. Toujours placer les aliments dans un plat de cuisson perforé ou sur une grille.

Les plats allant au four doivent résister à la chaleur et à la vapeur. Les plats de cuisson en silicone ne conviennent pas au four à la vapeur.

Lorsque vous utilisez le mode Steam (Vapeur) avec un plat de cuisson perforé, toujours glisser un plat de cuisson en dessous. La tôle recueillera tous les jus de cuisson.

Ne pas garder les aliments humides pendant longtemps dans le four fermé. Les aliments peuvent entraîner la corrosion de la partie intérieure du four.

Ne pas trop remplir les tartes à fruits très juteuses de fruits lorsqu'on utilise le plat de cuisson. Les jus de fruits peuvent laisser des taches à l'intérieur qui ne peuvent être éliminées.

Lorsqu'on utilise du papier aluminium dans le four, l'éloigner du verre de la porte. Cela pourrait tacher de manière permanente le verre.

Ne rien placer sur la porte de l'appareil. Ceci pourrait endommager l'appareil.



# CONSIGNES DE SÉCURITÉ IMPORTANTES

## LIRE ET CONSERVER CES CONSIGNES

L'utilisation d'accessoires non recommandés par le fabricant de l'appareil pourrait entraîner des blessures.

### AVERTISSEMENT :

#### **Avertissements relativement à la Proposition 65 de l'État de la Californie :**

Ce produit contient des produits chimiques reconnus par l'État de la Californie comme causant le cancer, des malformations congénitales ou autre effet nocif sur la reproduction.

### Consignes en matière de nettoyage

Ne pas nettoyer l'appareil pendant qu'il est toujours chaud. Certains nettoyants produisent des émanations toxiques lorsqu'ils sont appliqués sur une surface chaude. Des serviettes ou des éponges humides peuvent provoquer des brûlures provoquées par la vapeur.

Ne pas nettoyer l'appareil immédiatement après l'avoir éteint. L'eau dans le plat évaporateur est toujours chaude. Attendre que l'appareil se soit refroidi.

La porte ne se fermera pas correctement si le bourrelet d'étanchéité de la porte est très sale. La face des garnitures adjacentes pourrait être endommagée. Toujours conserver le bourrelet d'étanchéité de porte propre et le remplacer au besoin. Voir la couverture arrière pour des renseignements sur l'entretien, les pièces et les accessoires.

La cavité du four est fabriquée d'acier inoxydable de haute qualité. Un entretien inadéquat pourrait corroder la cavité du four. Suivez les instructions d'entretien et de nettoyage fournies dans ce manuel. Nettoyez les résidus et dégâts d'aliments de la cavité immédiatement après que l'appareil soit refroidi.

### Sécurité pour la batterie de cuisine

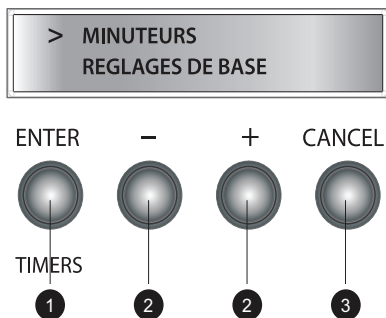
Ne pas placer les aliments directement sur le fond du four.

Observer les instructions du fabricant lors de l'utilisation de sacs de cuisson ou de rôtissage.

# Mise en route

## Identification des commandes

### Écran à ACL et touches

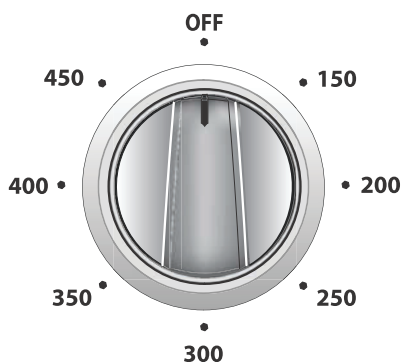


- 1 — **ENTER** vérifie une sélection
- 2 — (-) diminue et (+) augmente le temps, permet de faire défiler les fonctions d'affichage et d'augmenter ou de diminuer les températures du four par incréments de 5 °.
- 3 — **CANCEL (ANNULER)** efface toutes les opérations du four.

1. Appuyez sur n'importe quelle touche pour afficher les options.
  - Les options disponibles sont affichées à l'écran avec une flèche ">" à côté de la fonction qui a besoin d'être sélectionnée.
2. Utilisez les touches "+/-" pour faire défiler les options et appuyez sur la touche "ENTER" pour sélectionner l'option souhaitée.
3. Boutons de commande

### Bouton de commande de température

Utilisez le bouton de commande de température pour régler la température du four à vapeur de 150 ° à 450 °F (66 ° à 230 °C). Le bouton s'arrêtera à chaque tranche de 25 ° (p. ex. 150 °, 175 °, 200 °, 225 °, etc.).



### Bouton de sélection de mode

À l'aide du bouton de sélection de mode, vous pouvez sélectionner parmi dix fonctions de four.

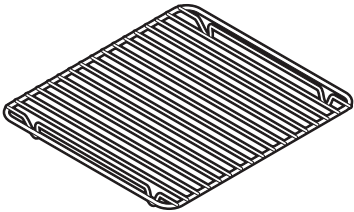
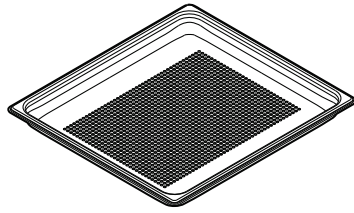
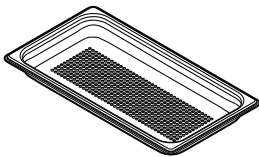
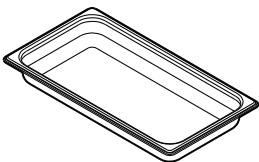
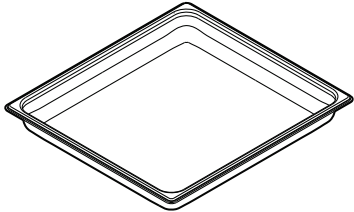


Réglage	Fonction de chaque réglage
OFF (Arrêt)	Met à l'arrêt le four.
STEAM (Vapeur)	Cuisson à la vapeur de légumes, poisson, mets d'accompagnement; extractions des jus de fruits.
STEAM CONV (Convection et vapeur)	Combine les modes vapeur et convection. Viandes, soufflés et boulangerie.
REHEAT (Réchauffer)	Réchauffement doux des aliments déjà cuits dans des assiettes et plats allant au four.
DEFROST (Décongeler)	Décongèle fruits, légumes, viandes et poissons pour cuisson ou service.
KEEP WARM (Garder au chaud)	Garde les aliments cuits réchauffés à la température de service.
DISH WARM (Réchauffage des plats)	Réchauffe et tient au chaud les plats allant au four, les assiettes et les bols.
SLOW COOK (Cuisson lente)	Rôtissage lent des viandes pour qu'elles demeurent très tendres.
PROOF (Fermentation)	Fait lever pâte levée et levain.
TRUE CONV (Convection réelle)	Fonctionne comme four à convection, sans vapeur. À utiliser pour les gâteaux spongieux, les gâteaux éponge et les viandes braisées.
EASY COOK (Cuisson facile)	Règle la programmation automatique.

# Accessoires et intérieur

## Accessoires

Les accessoires suivants sont fournis avec l'appareil :

<p><b>Grille</b> (CSRACKH) À utiliser comme support pendant la cuisson. Placez les viandes sur la grille avec la plat de cuisson en dessous et insérez les deux dans un niveau.</p>	
<p><b>Plat à cuisson perforé - pleine taille</b> (CS2XLPH) Profondeur de 1<math>\frac{5}{8}</math> po Idéal pour cuire à l'étuvée du poisson ou une grande quantité de légumes, pour extraire le jus des baies et plus encore.</p>	
<p><b>Plat à cuisson perforé - pleine taille</b>(CS2XLPH) Profondeur de 1<math>\frac{5}{8}</math> po Idéal pour cuire à l'étuvée du poisson ou une grande quantité de légumes, pour extraire le jus des baies et plus encore.</p>	
<p><b>Plat à cuisson perforé - pleine taille</b> (CS1XLH) Profondeur de 1 <math>\frac{5}{8}</math> po À utiliser pour des quantités plus petites et pour le riz et les céréales.</p>	
<p><b>Plat de cuisson, pleine taille</b> (CS2LH) Profondeur de 1<math>\frac{1}{8}</math> po Idéale pour la cuisson de gâteaux et pour recueillir les jus de cuisson lors de la cuisson à l'étuvée.</p>	

**Lavez les accessoires à fond avec de l'eau savonneuse et un chiffon avant leur première utilisation.**

### Remarque :

Les plats à cuisson peuvent se déformer lors de la cuisson, à cause de fluctuations majeures de température qui modifient l'accessoire, par exemple, si l'aliment est placé seulement sur une partie de l'accessoire ou si un élément surgelé (tel que de la pizza) est placé sur l'accessoire.

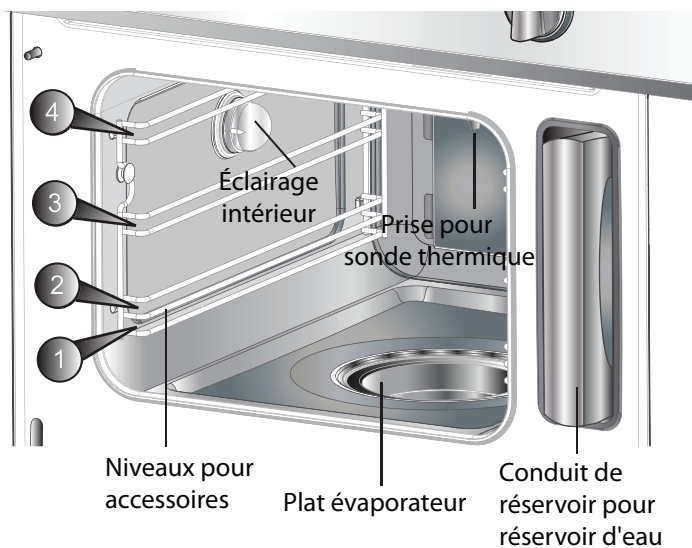
## Accessoires supplémentaires

Les accessoires supplémentaires peuvent être achetés auprès des détaillants où les produits THERMADOR<sup>MC</sup> sont vendus.

Accessoire	Numéro de commande
Plat de cuisson perforé, pleine taille, profondeur de 1 $\frac{5}{8}$ po	CS2XLPH
Plat de cuisson perforé, demi-taille, profondeur de 1 $\frac{5}{8}$ po	CS1XLPH
Plat de cuisson, pleine taille, profondeur de 1 $\frac{5}{8}$ po	CS2XLH
Plat de cuisson, demi-taille, profondeur de 1 $\frac{5}{8}$ po	CS1XLH
Plat de cuisson, pleine taille, profondeur de 1 $\frac{1}{8}$ po	CS2LH
Grille	CSRACKH
Tablettes de détartage	573828
Tablettes/détergent de nettoyage	573829
Bandes d'essai de dureté de l'eau	056317

## Cavité du four

Le four a quatre niveaux. Les niveaux sont comptés à partir du bas vers le haut dans la figure ci-dessous.



Utilisez uniquement les accessoires fournis avec l'appareil ou qui ont été achetés par l'entremise du service à la clientèle pour utilisation avec ce four à vapeur. Ces accessoires sont conçus spécifiquement pour votre four à vapeur. Vous pouvez utiliser d'autres plats allant au four qui conviennent pour les casseroles, soufflés, gâteaux ronds ou plats similaires, en les plaçant sur la grille (les suggestions pour les plats de cuisson appropriés se trouvent dans la section "Tableaux et conseils de cuisson", commençant à la page 20).

# Utilisation et entretien du réservoir d'eau

Le réservoir d'eau se trouve sur le côté droit du four à vapeur. Il peut contenir 1,4 quart (1,3 L) d'eau. **Le réservoir d'eau ne peut pas être lavé dans un lave-vaisselle.**

## Avertissements du capteur de niveau d'eau :

Le réservoir d'eau doit avoir suffisamment d'eau pour générer la vapeur requise pour le mode de cuisson et le temps que vous utilisez. Du fait que l'eau est convertie en vapeur, le niveau du réservoir baissera pendant la cuisson. Trois différents niveaux d'eau sont surveillés par le four :

Nu-méro de ni-veau	Avertissement affiché à l'écran quand lorsque le four est allumé	État de niveau d'eau	Résultat?
1	"Water Level Is Low" (Le niveau d'eau est bas) – s'affiche jusqu'à ce que le four soit éteint.	Réservoir n'est ni rempli ni vide (rempli > 1/3)	<ul style="list-style-type: none"><li>Le mode de cuisson peut commencer ou continuer si vous avez sélectionné ENTER lorsque l'écran montre que le niveau d'eau est bas.</li></ul>
2	"Refill Water Tank" (Remplir le réservoir d'eau) – s'affiche jusqu'à ce que le four soit éteint.	Réservoir vide (rempli < 1/3)	<ul style="list-style-type: none"><li>Le mode de cuisson s'arrête jusqu'à ce que le réservoir d'eau ait été rempli ou que le four ait été éteint.</li><li>L'élément chauffant demeure désactivé jusqu'à ce que le réservoir soit rempli ou remplacé dans la fente.</li><li>À ce stade-ci, la cuisson à la vapeur reprend. L'écran montre le préchauffage (si nécessaire), après lequel la minuterie de four reprend le compte-à-rebours.</li></ul>
3	Aucun	Réservoir rempli, vous pouvez utiliser n'importe quel mode	<ul style="list-style-type: none"><li>Le four peut être allumé ou continuera de fonctionner.</li></ul>

## Avis important concernant l'eau utilisée pour remplir le réservoir :

- Humectez le joint du couvercle de réservoir avec un peu d'eau avant de l'utiliser pour la première fois.
- Utilisez seulement de l'eau de robinet fraîche ou, si nécessaire, de l'eau ordinaire achetée non gazeuse pour remplir le réservoir d'eau.



### ATTENTION :

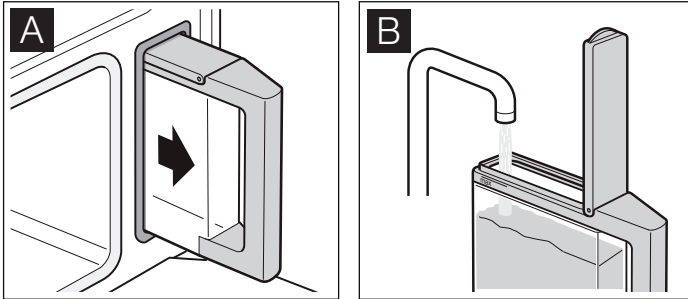
L'utilisation de liquides inappropriés peut endommager l'appareil! Ne pas remplir le réservoir d'eau avec de l'eau distillée ou avec tout autre liquide.

- Si votre eau est très dure (10 grains par gallon ou plus), nous recommandons l'utilisation d'eau adoucie.
- Si votre eau de robinet a une forte teneur en chlore (> 40 mg/L), utilisez de l'eau achetée non gazeuse à faible teneur en chlore.

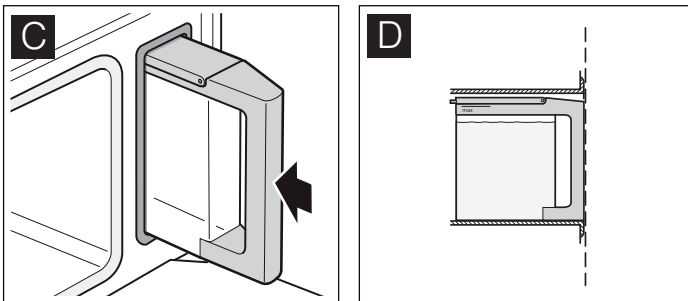
Vérifiez la dureté de l'eau au moyen des bandelettes de test fournies ou demandez à votre entreprise de service d'eau.

## Remplissez le réservoir d'eau avant chaque utilisation :

1. Ouvrez la porte et retirez le réservoir d'eau (image A).
2. Humectez le joint du couvercle du réservoir avec un peu d'eau avant la première utilisation.
3. Remplissez le réservoir d'eau jusqu'au niveau "MAX" avec de l'eau froide (image B).
  - Le four à vapeur peut fonctionner à 100% à la vapeur pendant 150 minutes sans que vous ayez besoin de remplir le réservoir d'eau.



4. Fermez le couvercle de réservoir jusqu'à ce qu'il s'enclenche.
5. Insérez le réservoir d'eau complètement (image C).
6. Le réservoir d'eau doit être au même niveau que l'entonnoir du réservoir (image D).



## Videz le réservoir d'eau après chaque utilisation.

1. Maintenez le réservoir de niveau en le retirant lentement de l'appareil.
2. Videz l'eau.
3. Séchez complètement le joint du couvercle de réservoir et la fente où le réservoir s'insère dans l'appareil. Une humidité prolongée pourrait entraîner une odeur dans le réservoir.
4. À l'aide de l'éponge fournie avec votre appareil (ou d'une éponge ou chiffon doux comparable), essuyez le four et la porte du four. Enlevez toute eau résiduelle du plat évaporateur au bas du four.

## Réglages de base

### Avant la première utilisation

- Avant l'utilisation, le four doit être correctement installé par un technicien qualifié.
- Retirez tout matériau d'emballage à l'intérieur et à l'extérieur du four.
- Essuyez le four pendant qu'il est froid à l'aide d'un chiffon propre et humide et séchez.
- Il peut y avoir une légère odeur aux premières utilisations; ceci est normal et disparaîtra.
- Pour obtenir des résultats de cuisson optimaux, utilisez une batterie de cuisine appropriée.
- Lisez et comprenez toutes les consignes de sécurité et le manuel d'utilisation et d'entretien avant toute utilisation.
- Exécutez les sections suivantes avant l'utilisation :

### Réglage du niveau de dureté de l'eau

Verifiez la dureté de l'eau au moyen des bandelettes de test fournies ou demandez à votre entreprise de service d'eau.

1. Avec le four à **OFF** (Arrêt), appuyez sur n'importe quelle touche pour faire afficher jusqu'à deux choix à l'écran, **TIMERS** (Minuteries) et **SETTINGS** (Réglages).
2. À l'aide des touches "+/-", sélectionnez **SETTINGS** (Réglages) et appuyez sur "**ENTER**".
3. Faites défiler **SETTINGS** (Réglages) jusqu'à ce que la flèche (>) pointe à **WATER HARDNESS** (Dureté de l'eau). Appuyez sur "**ENTER**".
4. À l'aide des touches "+/-", faites défiler l'échelle et appuyez sur "**ENTER**" quand la flèche pointe au niveau d'eau pour votre eau. Le réglage usine est 3.
  - 1 = ADOUCIE (0 à 17 mg/L)
  - 2 = DOUCE (18 à 60 mg/L)
  - 3 = MOYENNE (61 à 120 mg/L)
  - 4 = DURE (121 à 180 mg/L)
  - 5 = TRÈS DURE (plus de 180 mg/L)

À moins d'utiliser de l'eau adoucie, il vous faudra détartre le four à vapeur à intervalles réguliers. (voyez "*Détartage*" dans la section "*Soin et entretien*" à la page 34).

Si vous déménagez ou si la source d'eau change, il vous faudra modifier la valeur de la dureté de l'eau.

## Nettoyage du four au moyen du mode STEAM (Vapeur)

Avant d'utiliser le four à vapeur pour la première fois, réchauffez-le une fois à vide :

1. Remplissez et entrez le réservoir d'eau (voyez les instructions dans la rubrique "Réservoir d'eau", page 7).
2. Retirez tous les accessoires du four (accessoires de cuisson, grille).
3. Fermez la porte de four.
4. Tournez le bouton de sélecteur de mode à **STEAM** (Vapeur). Appuyez sur **ENTER**.
5. Sélectionnez **ENTER** de nouveau pour accéder au menu des réglages.
6. À l'aide des touches "+/-", sélectionnez **TIMERS** (Minuteries).
7. À l'aide des touches "+/-", sélectionnez **OVEN TIMER** (Minuterie de four). Appuyez sur **ENTER**.
8. Réglez le temps de cuisson à 20 minutes (0:20, en format H/MIN). Appuyez sur **ENTER**.
  - Le four sera chauffé pendant 20 minutes puis s'arrêtera. Le compte à rebours commencera après que le four a terminé le réchauffage.

Le nettoyage initial étalonnera également le four à vapeur selon la pression d'air de votre emplacement. La procédure d'étalonnage produit plus de vapeur que l'utilisation ordinaire.

## Étalonnage automatique

La température à laquelle l'eau va bouillir dépend de la pression de l'air. Plus l'altitude est élevée, plus la pression d'air et le point d'ébullition, seront basses. Le four à vapeur s'étalonne automatiquement selon les conditions de pression de votre zone la première fois que le four à vapeur est utilisé à 212 °F (100 °C).

### Étalonnage du four à vapeur

1. Retirez tous les accessoires du four (accessoires de cuisson, grille). Le four doit être vide et froid.
2. Tournez le bouton de sélecteur de mode à **STEAM** (Vapeur). La procédure d'étalonnage utilise plus de vapeur qu'à l'ordinaire.

L'étalonnage prend environ 15 minutes. N'interrompez pas le cycle d'étalonnage. N'ouvrez pas la porte du four pendant l'étalonnage. Si jamais le processus d'étalonnage est interrompu par l'ouverture de la porte ou par la mise à l'arrêt de l'appareil, la fonction vapeur ne fonctionnera pas correctement.

Réétalonnez l'appareil manuellement si jamais vous déménagez pour vous assurer que le four à vapeur s'ajuste automatiquement à votre nouveau site. Consultez la rubrique "Fonctionnement" pour rétablir tous les paramètres à leurs valeurs par défaut usine.

Le réétalonnage n'est pas nécessaire après une panne de courant.

## Réglages par défaut du four à vapeur

Avec le four à vapeur à **OFF** (Arrêt), vous pouvez accéder à d'autres fonctions du four. Bon nombre de ces fonctions doivent être réglées lorsque le four est installé et après un déménagement à un nouvel emplacement.

À l'aide des touches "+/-", sélectionnez **SETTINGS** (Réglages) et appuyez sur **ENTER** aux options initiales à l'écran d'affichage. La liste complète des réglages s'affichera :

LANGUAGE (Langue)  
WATER HARDNESS (Dureté de l'eau)  
CALIBRATE OVEN? (Étalonner four?)  
TEMPERATURE UNITS (Unités de température)  
WEIGHT UNITS (Unités de poids)  
DESCALE? (Détartre?)  
STEAM CLEAN? (Nettoyer à la vapeur?)  
FACTORY RESET (Réinitialisation usine)  
ALARM DURATION (Durée d'alarme)

Utilisez les touches "+/-" pour faire défiler la liste des réglages, et appuyez sur **ENTER** sur l'option que vous souhaitez régler.

**LANGUAGE** (Langue) : Au lieu de modifier manuellement les unités de poids et de température, vous pouvez aller à LANGUAGE (Langue) et sélectionnez ENGLISH (Anglais) ou FRENCH (Français). La sélection de ENGLISH (Anglais) bascule les unités de poids et de température à lb/° F. La sélection de FRENCH (Français) bascule ces réglages à kg/° C. L'écran passera à CUSTOM (Personnalisation) si vous modifiez l'une ou l'autre de ces unités en allant directement à ces options dans la liste de réglages.

**WATER HARDNESS** (Dureté de l'eau) : La dureté de l'eau du robinet ou de l'eau embouteillée (**JAMAIS** l'eau distillée) que vous utilisez dans le réservoir d'eau devrait être déterminée et saisie avec ce réglage lorsque l'appareil est installé. Tel qu'expliqué à page 6, vous pouvez utiliser les bandes de dureté de l'eau ou contacter votre compagnie d'alimentation en eau locale pour vous renseigner sur la dureté de votre robinet d'eau.

Appuyez sur WATER HARDNESS (Dureté de l'eau) et réglez la valeur avec les touches "+/-" pour sélectionner l'échelle. Si vous déménagez ou si la source d'eau change, il vous faudra modifier la valeur de la dureté de l'eau.

**CALIBRATE OVEN** (Calibrer le four) : Ce réglage règle la température calibrée à 210 °F (100 °C) la prochaine fois que le mode STEAM (Vapeur) est utilisé. (Voyez aussi "Étalonnage automatique" à la page 8).

**TEMPERATURE UNITS** (Unités de température) : Si vous sélectionnez ce réglage, vous pouvez annuler la valeur par défaut LANGUAGE (Langue) et sélectionner manuellement les degrés Fahrenheit (° F) ou Celsius (° C) pour l’affichage de la température. Le calcul de conversion entre les températures en Fahrenheit et Celsius est montré ci-dessous (T = température) :

$$T^{\circ}(\text{Fahrenheit}) = T^{\circ}(\text{Celsius}) \times 9/5 + 32$$

**WEIGHT UNITS** (Unités de poids) : Si vous choisissez ce réglage, vous pouvez annuler le réglage par défaut LANGUAGE (Langue) et sélectionner manuellement livres (lb) ou kilogrammes (kg) pour la saisie du poids des aliments. Le calcul de conversion entre les poids en livres et en kilogrammes est montré ci-dessous :

$$\text{livres} / 2,2 = \text{kilogrammes}$$

$$\text{kilogrammes} \times 2,2 = \text{livres}$$

**DESCALE** (Détartrer) : Votre four à vapeur doit être détartré (ou décalcifié) à intervalles réguliers pour éliminer les dépôts de calcium et de magnésium de l’eau chauffée pour produire de la vapeur. Une fois que la dureté de l’eau est réglée, l’écran du four à vapeur vous avertira automatiquement lorsqu’un détartrage est requis.

**Remarque :**

Si vous utilisez de l’eau adoucie, vous n’avez pas besoin de détartrer le four à vapeur.

Les instructions détaillées pour le détartrage du four à vapeur sont fournies dans la section “*Nettoyage et entretien*” de ce manuel à partir de *page 34*. Le four ne peut être utilisé à d’autres fins pendant que le détartrage est en cours.

**STEAM CLEAN** (Nettoyer à la vapeur) : Vous pouvez utiliser la vapeur pour dissoudre les résidus et déversements d’aliments afin de pouvoir les essuyer facilement. L’exécution du cycle STEAM CLEAN (Nettoyer à la vapeur) prend de 30 à 35 minutes. Le four ne peut être utilisé à d’autres fins pendant que le nettoyage à la vapeur est en cours. Des instructions détaillées pour le nettoyage à la vapeur du four sont fournies dans la section “*Nettoyage et entretien*” de ce manuel à partir de *page 34*.

**ALARM DURATION** (Durée d’alarme) : Vous pouvez régler la durée de l’avertisseur sonore après une fonction “END OF COOK TIMER” (Fin de minuterie de cuisson) ou “END OF KITCHEN TIMER” (Fin de minuterie de cuisine) à l’une des options suivantes :

Courte (10 secondes)

Moyenne (2 minutes)

Longue (5 minutes)

**FACTORY RESET** (Réinitialisation usine) : Cette fonction rétablira tous les réglages à leurs valeurs par défaut :

LANGUAGE (Langue) : English (Anglais)

TEMPERATURE UNITS (Unités de température) : Fahrenheit

WEIGHT UNITS (Unités de poids) : Pounds (Livres)

CALIBRATION (Étalonnage) : On (Marche)

WATER HARDNESS (Dureté de l’eau) : 3 – Medium (Moyenne)

**Fonctionnement automatique du ventilateur de refroidissement**

La ventilation de refroidissement se met en marche immédiatement à chacun des modes à vapeur du four. Si les modes à vapeur qui utilisent la vapeur sont mis à l’arrêt (STEAM (Vapeur), STEAM CONV (Convection et vapeur), REHEAT (Réchauffage), ou certains réglages de EASY COOK (Cuisson facile), le ventilateur de refroidissement reste allumé pendant 10 minutes peu importe quelle était la température du four avant la mise à l’arrêt. Si les modes de chauffage sans vapeur sont éteints, le ventilateur de refroidissement se désactive dès que la température du four baisse à moins de 230 °F (110 °C).

Si la porte est ouverte pendant un mode qui utilise une fonction à vapeur, le ventilateur de refroidissement se mettra en marche et à l’arrêt cinq à six fois de suite pour purger l’excédent de vapeur.

**Fonctionnement du plat évaporateur**

STEAM (Vapeur), STEAM CONV (Convection et vapeur), REHEAT (Réchauffage) et certains réglages de EASY COOK (Cuisson facile) présentent une forte ébullition au plat évaporateur du four de vapeur tandis que les autres modes n’en présentent pas. Cela est dû au besoin d’un réglage de température supérieur requis pour ces processus. REHEAT (Réchauffage) et PROOF (Fermentation) sont des processus de cuisson à la vapeur plus doux et nécessitent une chaleur plus sèche et une humidité réduite. SLOW COOK (Cuisson lente) et TRUE CONV (Convection réelle) ne nécessitent aucune humidité.

# Fonctionnement

## Modes de cuisson

### Réglage de température pour chaque mode de cuisson

Les températures minimum et maximum varient selon les modes de cuisson. Le tableau suivant décrit les limites des plages de température pour chaque mode (à l'exception de Easy Cook<sup>MC</sup> (Cuisson facile), lequel est décrit dans une section séparée) :

Mode de cuisson	Temp. minimum	Temp. maximum	Notes sur l'utilisation du bouton de commande de température et des touches
STEAM (Vapeur)	95 °F (35 °C)	212 °F (100 °C)	Lorsque le bouton de mode est réglé sur STEAM (Vapeur), l'écran à ACL indiquera la température par défaut de 212 °. La température peut également être réglée avec les touches +/- ou au moyen du bouton de sélection de température. Si le bouton de sélection de température est utilisé, l'affichage n'indique que 175 °, 200 ° et 212 °. Si vous utilisez les touches +/-, l'affichage n'indique que 175 °, 180 °, ... 200 °, 205 °, 212 °.
STEAM/ CONV (VAPEUR/ CONV)	250 °F (121 °C)	450 °F (232 °C)	Si la sélection de température est inférieure à 250 °F (121 °C) ou supérieure à 450 °F (232 °C), l'affichage indiquera une plage minimum et maximum.
REHEAT (Réchauffer)	210 °F (98 °C)	360 °F (182 °C)	Si la sélection de température est inférieure à 210 °F (98 °C) ou supérieure à 360 °F (182 °C), l'affichage indiquera une plage minimum et maximum.
DEFROST (Décongeler)	110 °F (43 °C) seulement		Vous ne pouvez pas utiliser le bouton ou les touches.
KEEP WARM (Garder au chaud)	140 °F (60 °C) seulement		Vous ne pouvez pas utiliser le bouton ou les touches.
DISH WARM (Réchauffage des plats)	125 °F (51 °C) seulement		Vous ne pouvez pas utiliser le bouton ou les touches.
SLOWCOOK (Cuisson lente)	140 °F (60 °C)	250 °F (121 °C)	Si la sélection de température est inférieure à 140 °F (60 °C) ou supérieure à 250 °F (121 °C), l'affichage indiquera une plage minimum et maximum.
PROOF (Fermentation)	100 °F (37 °C) seulement		Vous ne pouvez pas utiliser le bouton ou les touches.
TRUE CONV (Convection réelle)	150 °F (65 °C)	450 °F (232 °C)	TRUE CONV (Convection réelle) peut utiliser la plage complète de températures de four. Pour de meilleurs résultats, réduisez la température de la recette de 25 °F. Placez l'aliment dans un plat creux non couvert.



### ATTENTION :

Faire attention en ouvrant l'appareil. En se plaçant sur le côté, ouvrir la porte lentement et légèrement pour laisser l'air chaud et/ou la vapeur s'échapper du four. Éloigner le visage de l'ouverture et s'assurer qu'aucun enfant ou animal ne se trouve près de l'appareil. Une fois l'air chaud et/ou la vapeur sortis, continuer la cuisson. Ne pas laisser les portes ouvertes à moins que l'on soit en train de cuisiner ou de nettoyer. Ne pas laisser les portes ouvertes sans surveillance.

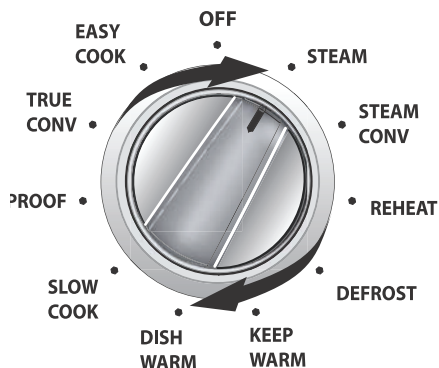
# Utilisation de l'appareil

Neuf des dix modes disponibles pour votre four à vapeur exigent des étapes similaires. L'utilisation du mode Easy Cook<sup>MC</sup> (Cuisson facile) diffère quelque peu et fait l'objet d'une description séparée à partir de la page 15.

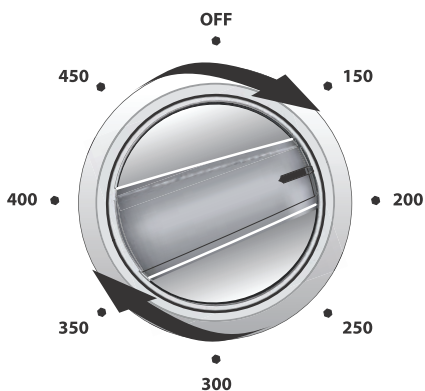
## Mise en marche de l'appareil

(Le mode STEAM (Vapeur) est utilisé comme exemple)

1. Placez l'aliment dans le four avant le préchauffage à moins que vous n'utilisiez les modes Slow Cook (Cuisson lente) ou True Conv (Convection réelle). En mode SLOW COOK (Cuisson lente) ou TRUE CONV (Convection réelle), placez l'aliment dans le four après que le four à vapeur se soit réchauffé.
  - L'aliment doit être dans le four pendant le cycle de réchauffage des modes à vapeur parce que si la porte est ouverte pour placer l'aliment après que le cycle de préchauffage a démarré, la vapeur s'échappera de la cavité, réduisant la température, ce qui pourrait entraîner une cuisson insuffisante de l'aliment.
2. Tournez le bouton de sélection de mode au mode de cuisson souhaité.

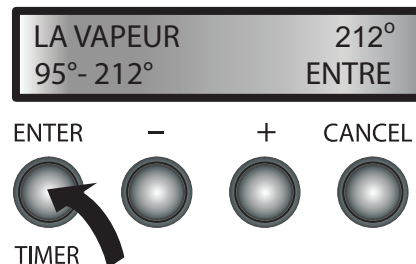


3. Si la commande de température est possible dans le mode sélectionné, tournez le bouton de commande de température à la température souhaitée.

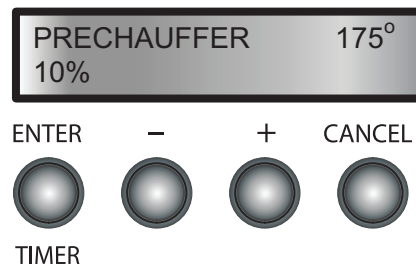


- Le contrôle de température n'est pas possible avec les modes DEFROST (Dégivrage), PROOF (Fermentation), KEEP WARM (Garder au chaud) et DISH WARM (Réchauffage des plats), lesquels ont tous des températures présélectionnées. Lorsque l'un de ces modes est sélectionné, la température apparaîtra à l'écran.

4. Appuyez sur **ENTER**.



Le four se mettra en mode PREHEATING (Préchauffage).



## Annulation du mode

1. Pour annuler un mode de cuisson, appuyez sur la touche **CANCEL** (Annuler).
  - Un message apparaîtra vous demandant si vous souhaitez annuler le mode (p. ex. **CANCEL STEAM** (Annuler vapeur)).
2. Pour arrêter le fonctionnement, appuyez sur **ENTER**.
  - L'écran d'affichage indiquera le mode et la température réglés. Tournez le bouton de sélection de mode à **OFF** (Arrêt) pour effacer l'écran d'affichage.
3. Pour poursuivre la cuisson, appuyez de nouveau sur **CANCEL** (Annuler).
  - Si le four était en mode de préchauffage, le chauffage se poursuivra et le pourcentage de préchauffage sera affiché à l'écran. Si le four a terminé le mode de préchauffage, alors "MODE and TEMPERATURE" (Mode et température) et le compte à rebours continueront de s'afficher.

## Après l'utilisation du four

### IMPORTANT :

- Essuyez la cavité et le plat évaporateur avec l'éponge fournie et séchez bien avec un chiffon doux après chaque utilisation.
- Éliminez les résidus et déversements d'aliments du four immédiatement après que l'appareil se soit refroidi. Les résidus brûlés sont très difficiles à enlever plus tard.
- Les sels sont très abrasifs et peuvent entraîner des taches de rouille. La cavité du four à vapeur peut se rouiller si elle n'est pas correctement entretenue.

## Minuterie de cuisine/de four

### Minuterie de cuisine

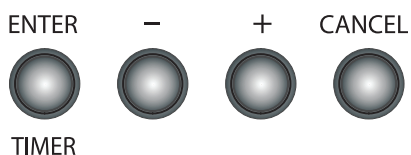
La minuterie de cuisine peut être réglée pour jusqu'à *23 heures et 55 minutes*. La minuterie de cuisine peut être utilisée que le four soit en marche ou non.

### Minuterie de four

La minuterie de four sert à mettre à l'arrêt le four une fois le temps de cuisson souhaité écoulé. Le temps maximum est de *23 heures et 55 minutes*.

#### Pour régler la minuterie de cuisine ou de four

1. Appuyez sur **ENTER** pour accéder au menu.
2. Avec les touches "+/-", déplacez la flèche (>) à **TIMERS** (Minuterie) et appuyez sur **ENTER**.
3. Avec les touches "+/-", déplacez la flèche (>) à **KITCHEN TIMER** (Minuterie de cuisine) ou **OVEN TIMER** (Minuterie de four) et appuyez sur **ENTER**.
4. Avec les touches "+/-", sélectionnez la durée du compte à rebours en incréments de 1 minute. Maintenez enfoncée la touche "+/-" pour régler en incréments de 5 minutes.
5. Appuyez sur **ENTER** pour lancer le compte à rebours de la minuterie. Le compte à rebours commencera après que le four a terminé le réchauffage.
  - Quand la minuterie atteint "0:00", l'affichage émettra un simple avertissement sonore à répétition pour signaler la fin du compte à rebours.



6. Appuyez sur **n'importe quelle touche** pour désactiver l'avertisseur sonore.

Pour des temps plus longs qu'une heure (1:00), le temps restant s'affichera en format H/MIN (p. ex., 2:40 min). Pour des temps variant de moins d'une heure à 10 minutes, l'affichage s'affiche en format MIN/S (p. ex. 5:40 s). Le deux-points (:) dans l'affichage du temps clignotera chaque seconde quand le délai de compte à rebours est de 10 minutes ou plus. À moins de 10 minutes, le temps s'affichera en secondes (p. ex. 9:53, 8:45, et ainsi de suite) sans clignotement.

Lorsque la minuterie est en cours de fonctionnement, l'appui de la touche **CANCEL** (Annuler) provoquera l'affichage de l'invite "Cancel Timer" (Annuler la minuterie) sur la première ligne, alors que le temps apparaît sur la deuxième ligne. Appuyez sur **ENTER** pour arrêter le compte à rebours et la minuterie. Appuyez sur **CANCEL** (Annuler) pour reprendre le compte à rebours.

#### Changement du temps de cuisson en cours d'utilisation

1. Appuyez sur **ENTER**.
  - L'affichage indiquera CANCEL OVEN TIMER (Annuler minuterie de four).
2. Appuyez sur **ENTER** pour annuler le mode.
3. Appuyez sur **ENTER** de nouveau pour revenir au menu principal.
4. Avec les touches "+/-", défilez à OVEN TIMER (Minuterie de four).
5. Appuyez sur **ENTER** pour activer le clignotement (0:00).
6. Avec les touches "+/-", entrez le nouveau temps de cuisson.
7. Appuyez sur **ENTER** pour redémarrer la minuterie de four.

#### À la fin de la cuisson

Quand la minuterie du four atteint 0:00, l'affichage retentira pour signaler la fin du temps de cuisson. Cet avertisseur continuera pendant 10 secondes, 2 ou 5 minutes ou jusqu'à ce que vous ayez mis le bouton de sélection de mode ou le bouton de commande de température à **OFF** (Arrêt).

Vous pouvez également désactiver l'avertisseur sonore en appuyant sur **CANCEL** (Annuler), + ou -, ou **ENTER** même si le four n'a pas été mis à **OFF** (Arrêt). Tournez le bouton à **OFF** (Arrêt).

Après la cuisson avec un mode produisant de la vapeur, n'oubliez pas de retirer et de vider le réservoir d'eau, de sécher le joint du couvercle de réservoir et la fente. À l'aide de l'éponge fournie avec votre appareil (ou d'une éponge ou chiffon doux comparable), essuyez le four et la porte du four. Retirez toute eau résiduelle dans le plat évaporateur au fond du four.

## Changement de température en cours de fonctionnement

**CHANGEMENT PENDANT LE PRÉCHAUFFAGE :** Si la nouvelle température que vous choisissez est supérieure à la température courante, le four reprendra le préchauffage, recalculera le pourcentage de préchauffage pour afficher la progression à la nouvelle température.

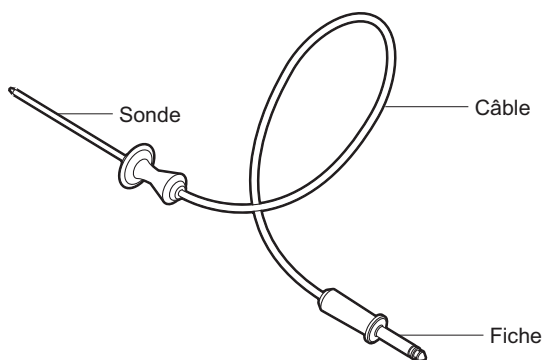
Si la nouvelle température est inférieure à la température courante (ou si elle est proche à 95 % de cette température), le four ira directement en mode de cuisson. La minuterie du four et le compte à rebours restant seront affichés.

**CHANGEMENT APRÈS LE PRÉCHAUFFAGE :** Si vous changez la température une fois que la température de cuisson a été atteinte, le four augmentera la température intérieure ou la baissera à la nouvelle température. La minuterie du four continuera le compte à rebours et ne sera pas affectée.

## Utilisation de la sonde thermique

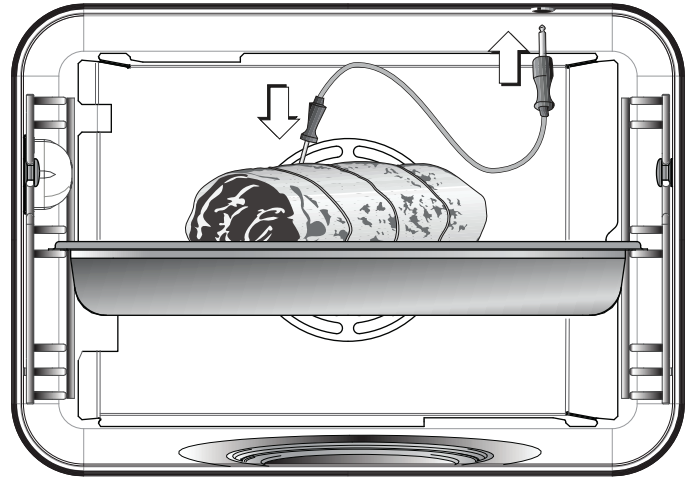
L'utilisation de la sonde thermique vous permet d'avoir plus de contrôle sur la manière dont les aliments sont cuits en désactivant automatiquement le mode de cuisson spécifié lorsque la température souhaitée d'un plat, définie par l'utilisateur, a été atteinte.

La sonde thermique peut seulement être utilisée dans les modes STEAM (Vapeur), STEAM CONVEC (Convection et vapeur), TRUE CONVEC (Convection réelle) ou SLOW COOK (Cuisson lente).



## Programmation de la sonde thermique

1. Insérez l'extrémité de la fiche dans la prise.
2. Insérez la sonde dans la viande.



- Pour éviter d'endommager la sonde, assurez-vous que la viande est complètement dégivrée avant d'installer la sonde.
  - Insérez la sonde jusqu'à ce que son extrémité repose au centre de la partie la plus épaisse de la viande.
  - Assurez-vous que la sonde ne touche pas un os, du gras ou des cartilages.
  - Dans le cas de volaille, n'insérez pas l'extrémité de la sonde thermique au centre (vide) mais entre la poitrine et la cuisse.
  - La sonde ne doit toucher aucune partie du plat de cuisson ou du four, car cela affectera la précision du résultat final.
3. Fermez la porte de four.
  4. Sélectionnez le mode de cuisson et la température du four au moyen des boutons sur le panneau de commande. Appuyez sur **ENTER**.
    - Si la fonction de sonde n'est pas disponible pour le mode sélectionné, l'écran demandera à l'utilisateur de débrancher la sonde et de poursuivre sans la sonde.
    - La sonde n'est pas disponible lorsque la minuterie de four a été programmée.
    - La plage pour la température de la sonde est entre 120 °F (50 °C) et 200 °F (95 °C).
    - Si la sonde est retirée ou annulée pendant qu'un mode est en cours, le mode poursuivra sans la fonction de sonde et se poursuivra indéfiniment jusqu'à ce qu'il soit annulé par l'utilisateur.

5. Avec les touches “+/-”, sélectionnez la température de sonde souhaitée. Appuyez sur **ENTER**.

Lorsque la température de sonde atteint la température programmée souhaitée, le mode de cuisson sera terminé et “end of oven timer” (fin de minuterie de four) retentira pour indiquer que le processus de cuisson est terminé. Le four s’éteint automatiquement une fois que la température de sonde thermique a été atteinte.

### Températures de cuisson interne minimum recommandées

Les températures internes minimums que les aliments doivent atteindre pour être considérés sans danger pour la consommation, telles que déterminées par la U.S.

**Department of Agriculture Food Safety and Inspection Service**, se présentent comme suit :

<b>Boeuf, veau, agneau ou porc haché</b>	160 °F (72°C)
<b>Steaks, rôtis et côtelettes de bœuf, de veau et d'agneau, gibier, gibier haché</b>	
Rosé	145 °F (63°C)
À point	160 °F (71°C)
Bien cuit	170 °F (77°C)
<b>Rôtis, steaks et côtelettes de porc frais</b>	
À point	160 °F (72°C)
Bien cuit	170 °F (77°C)
<b>Jambon</b>	
Faites cuire avant de manger	160 °F (72°C)
Cuit entièrement, à réchauffer	140 °F (60°C)
<b>Volaille</b>	
Poulet ou dinde haché	165 °F (74°C)
Poulet, dinde entier	180 °F (82°C)
Poitrines, rôtis	170 °F (77°C)
Hauts de cuisse et ailes	180 °F (82°C)
Farce (cuite à part ou dans la volaille)	165 °F (74°C)
Mets à base d'oeufs, plats cuisinés	160 °F (72°C)
Restes	165 °F (74°C)

### Entretien et utilisation de la sonde

- Pour éviter d'endommager votre sonde, **NE** tirez **PAS** sur la câble lorsque vous essayez de le retirer d'un plat.
- **N'utilisez PAS** des pinces ou autres instruments pour essayer de la soulever ou de “marteler” la sonde dans un plat d'aliments.
- **NE** lavez **PAS** la sonde dans la machine à laver; utilisez à la place de l'eau tiède savonneuse pour la nettoyer.
- Pour éviter les risques de brûlure, attendez que le four se soit refroidi avant d'essayer de retirer la sonde de la prise.
- **NE** rangez **PAS** la sonde à l'intérieur du four.

# Programmation automatique – Easy Cook<sup>MC</sup>

## (Cuisson facile)

### Introduction à Easy Cook<sup>MC</sup>

#### (Cuisson facile)

La programmation automatique facilite la préparation des aliments. Le mode Easy Cook (Cuisson facile) de votre four à vapeur règle automatiquement le four pour cuire 27 différents aliments.

Les conseils suivants vous aideront à obtenir d'excellents résultats avec Easy Cook (Cuisson facile) :

- Utilisez seulement **UN** niveau du four avec les programmes Easy Cook (Cuisson facile).
- Utilisez les plats allant au four recommandés. Tous les mets ont été testés en utilisant ces plats. Les résultats de cuisson peuvent varier si d'autres plats allant au four sont utilisés.
- Lors de la cuisson d'aliments dans un plat de cuisson perforé, insérez la plat de cuisson sur le niveau de grille 1 pour recueillir tous les jus de cuisson.
- N'ajoutez pas de mélanges de liquides et d'aliments comme du riz et de l'eau à plus de 1,5 po (38 mm) de hauteur du plat.
- La fonction de programmation automatique nécessite de connaître le poids des aliments. Pour des morceaux individuels, comme des morceaux de poulet, saisissez toujours le poids du plus gros morceau. Le poids total doit se situer à l'intérieur du la plage de poids pré réglée.
- Les temps de cuisson peuvent varier selon la quantité et la qualité des aliments.

### Réglage des programmes Easy Cook<sup>MC</sup>

#### (Cuisson facile)

#### Sélection des aliments

1. Tournez le bouton de sélection de mode à EASY COOK (Cuisson facile).
  - L'écran d'affichage affichera une liste de groupes d'aliments accompagnée des programmes Easy Cook (Cuisson facile). Ces programmes sont "VEGETABLES" (Légumes), "RICE" (Riz), "POULTRY" (Volaille), "BEEF" (Bœuf), "PORK ROAST" (Rôti de porc), "LAMB" (Agneau), "FISH" (Poisson), "BAKED GOODS, DESSERTS" (Pâtisseries, desserts), "REHEAT (Réchauffage), "DEFROST" (Dégivrage) et "EGGS" (Œufs).

2. En commençant avec la flèche de sélection (>) à "VEGETABLES" (Légumes), utilisez les touches "+/-" pour faire défiler la liste de choix.
3. Sélectionnez le groupe d'aliments souhaité et appuyez sur **ENTER**.
  - L'écran affichera un sous-groupe d'aliments sous le groupe que vous avez sélectionné.
4. Utilisez les touches "+/-" pour faire défiler vers l'avant et l'arrière les choix du sous-groupe sous ce groupe d'aliments.
5. Sélectionnez le sous-groupe souhaité et appuyez sur **ENTER**.

#### Réglage du poids

L'affichage indiquera maintenant "Enter Weight" (Entrer le poids) sur la première ligne et un poids ("X.0" lb ou kg) sur la deuxième ligne. X.0 lb est le poids par défaut pour l'aliment sélectionné. Par exemple, si vous sélectionnez "BEEF" (Boeuf), puis "POT ROAST" (Boeuf braisé), le poids par défaut est 2,2 lb, donc X = 2.2.

6. Utilisez les touches "+/-" pour régler le poids.
  - L'appui des touches "+/-" modifiera le poids affiché de 0,1 livre (ou kilogramme, selon les réglages choisis). Chaque type d'aliment a un réglage de poids maximum et minimum pour le mode Easy Cook (Cuisson facile). En maintenant enfoncée la touche "+/-", vous pourrez faire défiler rapidement les choix de poids.

#### Modification du type d'aliment et du poids déjà sélectionnés

À chaque niveau, l'appui de la touche **CANCEL** (Annuler) vous ramènera au menu précédent jusqu'à ce que vous arriviez au menu **Easy Cook** (Cuisson facile).

#### Démarrage de la cuisson

Dans les programmes Easy Cook (Cuisson facile), l'emplacement de la grille, le type de plat de cuisson et les temps de cuisson ont été présélectionnés pour le type d'aliment et le poids que vous avez sélectionnés.

7. Appuyez de nouveau sur **ENTER**.
  - L'écran affichera le niveau de grille (niveaux 1 – 3) et le plat/accessoires spécifiques à utiliser.
8. Placez l'aliment dans le four à vapeur tel que suggéré sur l'écran d'affichage.

9. Appuyez de nouveau sur **ENTER**.
  - L'affichage indiquera "Oven Timer" (Minuterie de four) sur la première ligne et le temps de cuisson automatique pour l'aliment choisi sur la deuxième ligne.
10. Appuyez sur **ENTER** et le four commencera le préchauffage.
  - Le pourcentage de préchauffage s'affichera sur la première ligne et la température de four courante sur la deuxième. Une fois que le four a atteint 90 – 95% de la température présélectionnée, le compte à rebours de temps de cuisson sera lancé.

### **Pendant la cuisson**

Après le préchauffage, l'affichage indiquera le programme Easy Cook<sup>MC</sup> (Cuisson facile) en cours et le temps de cuisson automatique.

La minuterie du four lancera le compte à rebours de ce temps automatique à 0:00 de la même manière que pour tous les autres cycles de cuisson.

### **À la fin d'un programme Easy Cook<sup>MC</sup> (Cuisson facile)**

Quand la minuterie du four atteint 0:00, le programme Easy Cook (Cuisson facile) se terminera. L'affichage retentira pour signaler la fin du temps de cuisson.

L'appui de la touche **CANCEL** (Annuler) désactivera également l'avertisseur sonore même si le four n'a pas été mis à l'arrêt.

Selon le réglage de durée de l'alarme, si 10 secondes, 2 ou 5 minutes s'écoulent sans qu'aucune autre action pour arrêter l'avertisseur sonore de la minuterie ou pour éteindre le four, l'avertisseur s'arrêtera et l'écran sera vide.

### **Annulation d'un programme en cours d'utilisation**

Pendant qu'un mode Easy Cook (Cuisson facile) est en cours, si vous appuyez sur **CANCEL** (Annuler), le message affiché à l'écran indiquera "Cancel Easy Cook" (Annuler Cuisson facile). Si le four est toujours en mode de préchauffage, la température de préchauffage s'affichera sur la deuxième ligne. Si le four a atteint la température de cuisson, le délai de compte à rebours s'affichera sur la deuxième ligne.

Pour arrêter le fonctionnement, appuyez sur **ENTER**. L'écran sera vide. Réglez le bouton de sélection de mode à **OFF** (Arrêt).

Pour poursuivre la cuisson, appuyez de nouveau sur **CANCEL** (Annuler). Si le four était en mode de préchauffage, le chauffage se poursuivra et le pourcentage de préchauffage sera affiché à l'écran. Si le four avait terminé le cycle de préchauffage, la minuterie de four et le compte à rebours continueront de s'afficher.

# Tableaux des programmes Easy Cook<sup>MC</sup> (Cuisson facile)

Cette section couvre tous les programmes offerts en mode de programmation automatique. Lisez les instructions avant d'utiliser un programme pour préparer les aliments.

Aliment	Poids par défaut	Poids min.	Poids max.	Accessoires et niveaux de grille
<b>Légumes</b>				
Attendez la fin de la cuisson avant d'assaisonner les légumes, y compris les pommes de terre.				
Fleurons de chou-fleur	1,1 lb (0,5 kg)	0,3 lb (0,2 kg)	4,1 lb (2 kg)	Plat de cuisson perforé (niveau 3) + plat de cuisson (niveau 1)
Fleurons de brocoli	1,1 lb (0,5 kg)	0,3 lb (0,2 kg)	4,1 lb (2 kg)	Plat de cuisson perforé (niveau 3) + plat de cuisson (niveau 1)
Haricots verts	1,1 lb (0,5 kg)	0,3 lb (0,2 kg)	4,1 lb (2 kg)	Plat de cuisson perforé (niveau 3) + plat de cuisson (niveau 1)
Asperges vertes (de taille égale)	1,1 lb (0,5 kg)	0,3 lb (0,2 kg)	4,1 lb (2 kg)	Plat de cuisson perforé (niveau 3) + plat de cuisson (niveau 1)
Mélange de légumes	1,1 lb (0,5 kg)	0,3 lb (0,2 kg)	4,1 lb (2 kg)	Plat de cuisson perforé (niveau 3) + plat de cuisson (niveau 1)
Pommes de terre sans peau	1,1 lb (0,5 kg)	0,3 lb (0,2 kg)	4,1 lb (2 kg)	Plat de cuisson perforé (niveau 3) + plat de cuisson (niveau 1)
Pommes de terre avec peau	1,1 lb (0,5 kg)	0,3 lb (0,2 kg)	4,1 lb (2 kg)	Plat de cuisson perforé (niveau 3) + plat de cuisson (niveau 1)

## Riz

Pesez les aliments à cuire et ajoutez la bonne quantité d'eau : Riz 1:1,5 Couscous 1:1

Mélangez les céréales après la cuisson car cela aidera à absorber rapidement l'eau restante.

**Pour préparer le risotto :** Ajoutez de l'eau au risotto dans un rapport de 1 pour 2. Entrez le poids entier comprenant l'eau. Une tasse de risotto et 2 tasses d'eau équivalent à environ 1,5 lb (0,68 kg). Le message "stir" (brasser) s'affiche après environ 15 minutes. Brassez le risotto et continuez la cuisson.

Riz à grains longs				Plat de cuisson (niveau 2)
Basmati				Plat de cuisson (niveau 2)
Riz brun				Plat de cuisson (niveau 2)
Couscous				Plat de cuisson (niveau 2)
Risotto, riz arborio	2,2 lb (1 kg)	1,0 lb (0,5 kg)	4,2 lb (2 kg)	Plat de cuisson (niveau 2)

Aliment	Poids par défaut	Poids min.	Poids max.	Accessoires et niveaux de grille
<b>Volaille</b>				
Pesez les morceaux individuels de poulet. Entrez le poids du morceau le plus lourd. <b>NE</b> superposez <b>PAS</b> les morceaux de poulet les uns sur les autres dans le plat de cuisson allant au four. Vous pouvez mariner les morceaux de poulet avant la cuisson.				
Poulet entier, frais	2,2 lb (1 kg)	1,6 lb (0,7 kg)	4,6 lb (2,1 kg)	Grille + plat de cuisson (niveau 2)
Morceaux de poulet frais	0,2 lb (0,1 kg)	0,1 lb (0,04 kg)	0,8 lb (0,36 kg)	Grille + plat de cuisson (niveau 2)
<b>Rôti de porc</b>				
Parez le porc en enlevant la graisse du centre vers l'extérieur avant la cuisson. La coupe d'épaule est la meilleure coupe pour faire cuire un rôti avec une croûte.				
Rôti de porc	2,2 lb (1 kg)	1,8 lb (0,8 kg)	4,2 lb (2 kg)	Grille + plat de cuisson (niveau 2)
<b>Boeuf</b>				
Un grand rôti est recommandé pour le rosbif.				
Boeuf braisé	2,2 lb (1 kg)	2,2 lb (1 kg)	3,3 lb (1,5 kg)	Plat de cuisson (niveau 2)
Surlonge, à point, cuisson lente (faites saisir avant la cuisson)	2,2 lb (1 kg)	2,2 lb (1 kg)	4,2 lb (2 kg)	Plat de cuisson (niveau 2)
<b>Agneau (gigot avec os)</b>				
Agneau (gigot avec os)	2,2 lb (1 kg)	2,2 lb (1 kg)	4,2 lb (2 kg)	Grille + plat de cuisson (niveau 2)
Gigot, à point	2,2 lb (1 kg)	2,2 lb (1 kg)	4,2 lb (2 kg)	Plat de cuisson (niveau 2)
<b>Poisson</b>				
Graissez le plat de cuisson perforé pour préparer le poisson. N'empilez PAS le poisson entier, les filets de poisson ou les bâtonnets de poisson les uns par-dessus les autres. Saisissez le poids du plus gros morceau de poisson et sélectionnez des morceaux qui sont environ de la même taille.				
Poisson frais entier	1,3 lb (0,6 kg)	0,7 lb (0,3 kg)	4,1 lb (2 kg)	Plat de cuisson perforé (niveau 3) + plat de cuisson (niveau 1)
Filets de poisson frais	0,4 lb (0,2 kg)	0,2 lb (0,1 kg)	4,0 lb (2 kg)	Plat de cuisson perforé (niveau 3) + plat de cuisson (niveau 1)
Filets de poisson congelés	0,5 lb (0,2 kg)	0,2 lb (0,1 kg)	4,0 lb (2 kg)	Plat de cuisson perforé (niveau 3) + plat de cuisson (niveau 1)
Huîtres et moules	2,2 lb (1 kg)	1,2 lb (0,5 kg)	5,2 lb (2,5 kg)	Plat de cuisson perforé (niveau 3) + plat de cuisson (niveau 1)
<b>Pâtisseries, desserts</b>				
Compote de fruits	1,1 lb (0,5 kg)	0,3 lb (0,14 kg)	3,1 lb (1,4 kg)	Plat de cuisson (niveau 2)
Pouding au riz	0,4 lb (0,2 kg)	0,1 lb (0,5 kg)	1,5 lb (0,7 kg)	Plat de cuisson (niveau 2)

Aliment	Poids par défaut	Poids min.	Poids max.	Accessoires et niveaux de grille
<b>Pains</b>				
Utilisez du papier parchemin sur la plat de cuisson lors de la cuisson du pain et de petits pains. Les programmes Easy Cook <sup>MC</sup> (Cuisson facile) sont pour la cuisson de pain sans moules à pain. La cuisson du pain dans un moule à pain n'est pas recommandée. La pâte ne doit pas être trop molle. Avant la cuisson, utilisez un couteau tranchant et faites quelques incisions d'environ 0,4 po (1 cm) de profondeur dans la pâte à pain. Laissez la pâte lever puis faites la cuire. Le programme Easy Cook (Cuisson facile) est pour la cuisson seulement. Les petits pains doivent être tous du même poids. Saisissez le poids d'un petit pain individuel.				
Pain tressé	2,2 lb (1 kg)	1,0 lb (0,5 kg)	4,2 lb (2 kg)	Plat de cuisson (niveau 2)
Pain multicéréales	2,2 lb (1 kg)	1,0 lb (0,5 kg)	4,2 lb (2 kg)	Plat de cuisson (niveau 2)
Pain multicéréales, fermentation et cuisson	2,2 lb (1 kg)	1,0 lb (0,5 kg)	4,2 lb (2 kg)	Plat de cuisson (niveau 2)
Pain de seigle	2,2 lb (1 kg)	1,4 lb (0,6 kg)	4,2 lb (2 kg)	Plat de cuisson (niveau 2)
Pain de seigle, fermentation et cuisson	2,2 lb (1 kg)	1,4 lb (0,6 kg)	4,2 lb (2 kg)	Plat de cuisson (niveau 2)
Pain blanc	2,2 lb (1 kg)	1,0 lb (0,5 kg)	4,2 lb (2 kg)	Plat de cuisson (niveau 2)
Pain blanc, fermentation et cuisson	2,2 lb (1 kg)	1,0 lb (0,5 kg)	4,2 lb (2 kg)	Plat de cuisson (niveau 2)
Petits pains frais	0,1 lb (0,05 kg)	0,1 lb (0,05 kg)	0,6 lb (0,3 kg)	Plat de cuisson (niveau 2)
Petits pains surgelés	0,1 lb (0,05 kg)	0,1 lb (0,05 kg)	0,6 lb (0,3 kg)	Plat de cuisson (niveau 2)
<b>Reheat (Réchauffage)</b>				
Pizza, pâte mince	0,6 lb	0,2 lb (0,1 kg)	1,5 lb (0,7 kg)	Grille + plat de cuisson perforé (niveau 2)
Pizza, croûte épaisse	0,6 lb	0,2 lb (0,1 kg)	1,5 lb (0,7 kg)	Grille + plat de cuisson perforé (niveau 2)
<b>Décongélation</b>				
Poulet, morceaux, avec os	2,2 lb (1 kg)	0,6 lb (0,3 kg)	3,2 lb (1,5 kg)	Plat de cuisson perforé (niveau 3) + plat de cuisson (niveau 1)
Viande	2,2 lb (1 kg)	1,0 lb (0,5 kg)	3,2 lb (1,5 kg)	Plat de cuisson perforé (niveau 3) + plat de cuisson (niveau 1)
Baies	1,1 lb (0,5 kg)	0,3 lb (0,13 kg)	2,1 lb (1,0 kg)	Plat de cuisson perforé (niveau 3) + plat de cuisson (niveau 1)
<b>Œufs</b>				
Œufs mollets	0,0 lb (0,0 kg)	0,0 lb (0,0 kg)	2,0 lb (0,9 kg)	Plat de cuisson perforé (niveau 3) + plat de cuisson (niveau 1)
Œufs durs	0,0 lb (0,0 kg)	0,0 lb (0,0 kg)	4,0 lb (2 kg)	Plat de cuisson perforé (niveau 3) + plat de cuisson (niveau 1)

# Tableaux et conseils de cuisson

## Températures de cuisson recommandées

Ces tableaux contiennent un choix de mets qu'il est facile de préparer dans le four à vapeur et à convection. Vous pouvez connaître le mode de cuisson, les accessoires et le temps de cuisson qui conviennent le mieux pour votre met. À moins d'indication contraire, cette information s'applique à des mets placés dans un appareil froid.

### Légumes

Places les légumes dans le plat de cuisson perforé et placez le plat au niveau de grille 3. Placez la plat de cuisson en dessous de la grille 1. La tôle recueillera tous les jus de cuisson.

Aliment	Taille	Accessoires	Mode de cuisson	Température	Temps de cuisson
Artichauts	Entier	Plat de cuisson perforé + plat de cuisson	Steam (Vapeur)	212 F (100 C)	30 – 35 min.
Asperges	Entier	Plat de cuisson perforé + plat de cuisson	Steam (Vapeur)	212 F (100 C)	10 – 15 min.
Betteraves	Entier	Plat de cuisson perforé + plat de cuisson	Steam (Vapeur)	212 F (100 C)	40 – 50 min.
Brocoli	Fleurons	Plat de cuisson perforé + plat de cuisson	Steam (Vapeur)	212 F (100 C)	8 – 10 min.
Choux de Bruxelles	Fleurons	Plat de cuisson perforé + plat de cuisson	Steam (Vapeur)	212 F (100 C)	20 – 30 min.
Chou	Finement coupé	Plat de cuisson perforé + plat de cuisson	Steam (Vapeur)	212 F (100 C)	25 – 35 min.
Chou rouge	Finement coupé	Plat de cuisson perforé + plat de cuisson	Steam (Vapeur)	212 F (100 C)	30 – 35 min.
Carottes	Tranches	Plat de cuisson perforé + plat de cuisson	Steam (Vapeur)	212 F (100 C)	10 – 20 min.
Chou-fleur	Entier	Plat de cuisson perforé + plat de cuisson	Steam (Vapeur)	212 F (100 C)	30 – 40 min.
Chou-fleur	Fleurons	Plat de cuisson perforé + plat de cuisson	Steam (Vapeur)	212 F (100 C)	10 – 15 min.
Fenouil	Tranches	Plat de cuisson perforé + plat de cuisson	Steam (Vapeur)	212 F (100 C)	10 – 14 min.
Asperges vertes	Entier	Plat de cuisson perforé + plat de cuisson	Steam (Vapeur)	212 F (100 C)	7 – 12 min.
Haricots verts	–	Plat de cuisson perforé + plat de cuisson	Steam (Vapeur)	212 F (100 C)	15 – 20 min.
Céleri-rave	Tranches	Plat de cuisson perforé + plat de cuisson	Steam (Vapeur)	212 F (100 C)	15 – 20 min.
Poireaux	Tranches	Plat de cuisson perforé + plat de cuisson	Steam (Vapeur)	212 F (100 C)	4 – 6 min.
Pois	–	Plat de cuisson perforé + plat de cuisson	Steam (Vapeur)	212 F (100 C)	5 – 10 min.

\* Préchauffez le four. Placez l'aliment dans le four avant le préchauffage à moins que vous n'utilisiez les modes Slow Cook (Cuisson lente) ou True Convection (Convection réelle).

Aliment	Taille	Accessoires	Mode de cuisson	Température	Temps de cuisson
Pois à écosser	–	Plat de cuisson perforé + plat de cuisson	Steam (Vapeur)	212 F (100 C)	8 – 12 min.
Épinards	–	Plat de cuisson perforé + plat de cuisson	Steam (Vapeur)	212 F (100 C)	2 – 3 min.
Légumes farcis (courgettes, aubergines, poivrons)	<b>NE FAITES PAS</b> précuire les légumes	Plat de cuisson au niveau 2	Steam Convection (Vapeur et convection)	320 – 360 °F (160 – 180 °C)	15 – 30 min.
Bettes à cardes	Finement coupé	Plat de cuisson perforé + plat de cuisson	Steam (Vapeur)	212 F (100 C)	8 – 10 min.
Courgettes	Tranches	Plat de cuisson perforé + plat de cuisson	Steam (Vapeur)	212 F (100 C)	2 – 3 min.

\* Préchauffez le four. Placez l'aliment dans le four avant le préchauffage à moins que vous n'utilisiez les modes Slow Cook (Cuisson lente) ou True Convection (Convection réelle).

## Légumes et accompagnements

Ajoutez la quantité appropriée d'eau ou de liquide. Exemple : 1:1,5 = pour chaque 1/2 tasse.

Aliment	Ratio/ Information	Accessoires	Mode de cuisson	Température	Temps de cuisson
Pommes de terre (avec peau)	Taille moyenne	Plat de cuisson perforé (niveau 3) + plat de cuisson (niveau 1)	Steam (Vapeur)	212 F (100 C)	35 – 45 min.
Pommes de terre (pelées)	En quartiers	Plat de cuisson perforé (niveau 3) + plat de cuisson (niveau 1)	Steam (Vapeur)	212 F (100 C)	20 – 25 min.
Pommes de terre au gratin	–	Plat de cuisson (niveau 2)	Steam (Vapeur)	212 F (100 C)	35 – 45 min.
Riz brun	1:2	Plat de cuisson	Steam (Vapeur)	212 F (100 C)	30 – 40 min.
Riz à grains longs	1:2	Plat de cuisson	Steam (Vapeur)	212 F (100 C)	20 – 30 min.
Riz basmati	1:1,5	Plat de cuisson	Steam (Vapeur)	212 F (100 C)	20 – 30 min.
Lentilles	1:2	Plat de cuisson	Steam (Vapeur)	212 F (100 C)	30 – 45 min.
Haricots canellini, précuits	1:2	Plat de cuisson	Steam (Vapeur)	212 F (100 C)	65 – 75 min.
Couscous	1:1	Plat de cuisson	Steam (Vapeur)	212 F (100 C)	6 – 10 min.
Dumplings	–	Plat de cuisson perforé (niveau 3) + plat de cuisson (niveau 1)	Steam (Vapeur)	205 F (95 C)	20 – 25 min.

## Viande, volaille, poisson

Insérez la grille et la plat de cuisson ensemble sur le même niveau de grille. Une fois que le rôti est cuit, laissez-le reposer dans le four à vapeur et convection pendant 10 minutes supplémentaires après avoir éteint le four.

L'utilisation du mode Steam Convection (Vapeur et convection) rend la viande particulièrement tendre et juteuse à l'intérieur tout en formant une croûte à l'extérieur.

Aliment	Quantité/Poids	Accessoires	Mode de cuisson	Température	Temps de cuisson
<b>Volaille</b>					
Poulet, entier	2,65 lb (1,2 kg)	Grille + plat de cuisson (niveau 2)	Steam Convection (Vapeur et convection)	360 – 375 °F (180 – 190 °C)	50 – 60 min.
Poulet, moitié	par 1 lb (0,4 kg)	Grille + plat de cuisson (niveau 2)	Steam Convection (Vapeur et convection)	360 – 375 °F (180 – 190 °C)	35 – 45 min.
Poitrine de poulet	par 0,33 lb (0,15 kg)	Plat de cuisson perforé (niveau 3) + plat de cuisson (niveau 1)	Steam (Vapeur)	212 F (100 C)	15 – 25 min.
Morceaux de poulet	par 2,65 lb (1,2 kg)	Grille + plat de cuisson (niveau 2)	Steam Convection (Vapeur et convection)	360 – 375 °F (180 – 190 °C)	20 – 35 min.
Canard, entier	4,5 lb (2 kg)	Grille + plat de cuisson (niveau 2)	Steam Conv (Vapeur et convection)/ True Convection (Convection réelle)	340 F (170 C)/ 410 F (210 C)	60 – 80 min./ 15 – 20 min.
Poitrine de canard*	par 0,77 lb (0,35 kg)	Grille + plat de cuisson (niveau 2)	Steam Convection (Vapeur et convection)	360 – 375 °F (180 – 190 °C)	10 – 15 min.
Dinde, entière, sans farce	8 – 11 lb	Grille + plat de cuisson (niveau 2)	Steam Convection (Vapeur et convection)	325 F (165 C)	50 – 75 min.
Dinde, entière, sans farce**	12 – 14 lb	Grille + plat de cuisson (niveau 2)	Steam Convection (Vapeur et convection)	325 F (165 C)	80 – 95 min.
Poitrine de dinde	2 lb (1 kg)	Grille + plat de cuisson (niveau 2)	Steam Convection (Vapeur et convection)	300 – 320 °F (150 – 160 °C)	60 – 80 min.
<b>Boeuf</b>					
Bœuf braisé*	3,5 lb (1,5 kg)	Grille + plat de cuisson (niveau 2)	Reheat (Réchauffage)	285 – 300 °F (140 – 150 °C)	100 – 140 min.
Filets de bœuf, à point*	2 lb (1 kg)	Grille + plat de cuisson (niveau 2)	Reheat (Réchauffage)	340 – 360 F (170 – 180 °C)	20 – 28 min.
Mince tranche de rosbif, à point*	2 lb (1 kg)	Grille + plat de cuisson (niveau 2)	True Convection (Convection réelle)	340 – 360 F (170 – 180 °C)	40 – 55 min.
Tranche épaisse de surlonge, à point*	2 lb (1 kg)	Grille + plat de cuisson (niveau 2)	True Convection (Convection réelle)	340 – 360 F (170 – 180 °C)	45 – 60 min.

\* Faites saisir d'abord

\*\* Utilisez le plat de cuisson de 1 5/8 po de profondeur (voyez Accessoires additionnels)

Aliment	Quantité/Poids	Accessoires	Mode de cuisson	Température	Temps de cuisson
<b>Veau</b>					
Veau, avec os	3,5 lb (1,5 kg)	Grille + plat de cuisson (niveau 2)	Steam Convection (Vapeur et convection)	320 – 360 °F (160 – 180 °C)	50 – 70 min.
Longe de veau	2 lb (1 kg)	Grille + plat de cuisson (niveau 2)	Steam Convection (Vapeur et convection)	320 – 360 °F (160 – 180 °C)	15 – 25 min.
Poitrine de veau, farci	3,5 lb (1,5 kg)	Grille + plat de cuisson (niveau 2)	Steam Convection (Vapeur et convection)	285 – 320 °F (140 – 160 °C)	75 – 120 min.
<b>Porc</b>					
Avec os, paré	3,5 lb (1,5 kg)	Grille + plat de cuisson (niveau 2)	Steam Convection (Vapeur et convection)	320 – 360 °F (160 – 180 °C)	50 – 70 min.
Avec os et couenne	3,5 lb (1,5 kg)	Grille + plat de cuisson (niveau 2)	Steam (Vapeur)/ Steam Convection (Vapeur et convection)  True Convection (Convection réelle)	212 °F (100 °C)/ 285 – 320 °F (140 – 160 °C) 410 – 430 °F (140 – 160 °C)	20 – 25 min. 40 – 50 min.  20 min.
Côtelettes de porc, sans os*	1,2 lb (0,5 kg)	Grille + plat de cuisson (niveau 2)	Steam Convection (Vapeur et convection)	285 – 320 °F (140 – 160 °C)	75 – 120 min.
Porc fumé sur l'os	2 lb (1 kg)	Grille + plat de cuisson (niveau 2)	Steam Convection (Vapeur et convection)	250 – 285 °F (120 – 140 °C)	60 – 70 min.
Côtes de porc	Tranches	Plat de cuisson (niveau 2)	Steam (Vapeur)	212 F (100 C)	15 – 20 min.
<b>Autres</b>					
Pain de viande	fait de 1,2 lb (0,5 kg) de viande hachée	Plat de cuisson (niveau 2)	Steam Convection (Vapeur et convection)	340 – 360 F (170 – 180 °C)	45 – 60 min.
Gigot d'agneau avec os	3,5 lb (1,5 kg)	Grille + plat de cuisson (niveau 2)	Steam Convection (Vapeur et convection)	340 – 360 F (170 – 180 °C)	60 – 80 min.
Longe d'agneau sur l'os*	3,5 lb (1,5 kg)	Grille + plat de cuisson (niveau 2)	Steam Convection (Vapeur et convection)	320 – 360 °F (160 – 180 °C)	15 – 25 min.
Saucisses	–	Plat de cuisson per- foré (niveau 3) + plat de cuisson (niveau 1)	Steam (Vapeur)	175 – 185 °F (80 – 85 °C)	12 – 18 min.
<b>Poisson</b>					
Entier	par 0,66 lb (0,3 kg)	Plat de cuisson per- foré (niveau 3) + plat de cuisson (niveau 1)	Steam (Vapeur)	175 – 195 °F (80 – 90 °C)	15 – 25 min.

\* Faites saisir d'abord

\*\* Utilisez le plat de cuisson de 1 5/8 po de profondeur (voyez Accessoires additionnels)

Aliment	Quantité/Poids	Accessoires	Mode de cuisson	Température	Temps de cuisson
Filets	par 3,5 lb (1,5 kg)	Plat de cuisson perforé (niveau 3) + plat de cuisson (niveau 1)	Steam (Vapeur)	175 – 195 °F (80 – 90 °C)	10 – 20 min.
Truite, entière	par 0,5 lb (0,2 kg)	Plat de cuisson perforé (niveau 3) + plat de cuisson (niveau 1)	Steam (Vapeur)	175 – 195 °F (80 – 90 °C)	12 – 15 min.
Filet de morue	par 0,33 lb (0,15 kg)	Plat de cuisson perforé (niveau 3) + plat de cuisson (niveau 1)	Steam (Vapeur)	175 – 195 °F (80 – 90 °C)	10 – 14 min.
Filet de saumon	par 0,33 lb (0,15 kg)	Plat de cuisson perforé (niveau 3) + plat de cuisson (niveau 1)	Steam (Vapeur)	212 F (100 C)	8 – 10 min.
Moules ou huîtres	0,33 lb (0,15 kg)	Plat de cuisson (niveau 2)	Steam (Vapeur)	212 F (100 C)	10 – 15 min.
Filet d'aiglefin, de perchaude	par 0,5 lb (0,2 kg)	Plat de cuisson perforé (niveau 3) + plat de cuisson (niveau 1)	Steam (Vapeur)	175 – 195 °F (80 – 90 °C)	10 – 20 min.
Rouleaux de sole, fourrés	–	Plat de cuisson perforé (niveau 3) + plat de cuisson (niveau 1)	Steam (Vapeur)	175 – 195 °F (80 – 90 °C)	10 – 20 min.
Crevettes, grosses	par 1 lb (0,4 kg)	Plat de cuisson perforé (niveau 3) + plat de cuisson (niveau 1)	Steam (Vapeur)	212 F (100 C)	8 – 13 min.
Crevettes, moyennes	par 1 lb (0,4 kg)	Plat de cuisson perforé (niveau 3) + plat de cuisson (niveau 1)	Steam (Vapeur)	212 F (100 C)	5 – 8 min.

\* Faites saisir d'abord

\*\* Utilisez le plat de cuisson de 1 5/8 po de profondeur (voyez Accessoires additionnels)

## Conseils de rôtissage

À quel moment le rôti est-il à point?	Utilisez la sonde thermique intégrée pour mesurer la température de la viande.
Le rôti est trop foncé et la croûte est brûlée à certains endroits.	Vérifiez le niveau de la grille et la température.
Le rôti est bien cuit, mais la sauce est brûlée.	La prochaine fois, choisissez une plaque à rôtir plus petite ou augmentez la quantité de liquide.
Le rôti a une bonne apparence, mais la sauce est trop légère et liquide.	La prochaine fois, choisissez une rôtissoire plus grande ou diminuez la quantité de liquide.

## Viande à cuisson lente

La cuisson lente est idéale pour cuire toutes les coupes tendres de viande qui seront cuites à point. La viande reste très tendre et humide.

**Faites saisir la viande sur tous les côtés sur la cuisinière.** Placez la viande dans le four préchauffé et continuez de cuire lentement. Une fois la viande à point, déposez-la sur des assiettes préchauffées et arrosez-la d'une sauce chaude.

Aliment	Quantité/Poids	Accessoires	Température	Temps de cuisson
Gigot d'agneau avec os	2 – 3,5 lb (1 – 1,5 kg)	Plat de cuisson (niveau 2)	175 F (80 C)	140 – 160 min.
Rosbif	3,5 – 5,5 lb (1,5 – 2,5 kg)	Plat de cuisson (niveau 2)	175 F (80 C)	150 – 180 min.
Filets de porc	–	Plat de cuisson (niveau 2)	175 – 195 °F (80 – 90 °C)	50 – 70 min.
Médallions de porc	–	Plat de cuisson (niveau 2)	175 F (80 C)	50 – 60 min.
Steaks de bœuf	environ ½ po d'épais- seur	Plat de cuisson (niveau 2)	175 F (80 C)	40 – 80 min.
Poitrine de canard	–	Plat de cuisson (niveau 2)	175 F (80 C)	35 – 55 min.

## Soufflés, plats en cocote, ajouts aux soupes, etc.

Aliment	Accessoires	Mode de cuisson	Température	Temps de cuisson
Lasagne	Plat de cuisson (niveau 2)	Steam Convection (Vapeur et convection)	320 – 340 °F (160 – 170 °C)	35 – 45 min.
Soufflés	Plat à soufflé + plat de cuisson (niveau 2)	Steam Convection (Vapeur et convection)	360 – 390 °F (180 – 200 °C)	15 – 25 min.
Dumplings à la semoule	Plat de cuisson perforé (niveau 3) + plat de cuisson (niveau 1)	Steam (Vapeur)	195 F (205 C)	7 – 10 min.

## Desserts, compotes

**Compote** : Pesez le fruit, ajoutez environ 1/3 de la quantité d'eau et ajoutez du sucre et des épices au goût.

**Pouding au riz** : Mesurez le riz et ajoutez 2,5 fois plus de lait. Ajoutez le riz et le lait à une hauteur maximum de 1 pouce dans l'accessoire. Mélangez après la cuisson. Le lait restant sera absorbé rapidement.

**Yogourt** : Réchauffez le lait sur la cuisinière à 195 °F (90 °C). Retirez du feu et laissez refroidir à 105°F (40 °C). Le lait n'a pas à être réchauffé si vous utilisez du lait ultra haute température (UHT). Incorporez deux cuillères à thé de yogourt nature ou la quantité adéquate de levain à yogourt par 100 ml de lait.

Versez le mélange dans des pots de verre propres de 8 oz et fermez avec les couvercles. Placez les pots dans le four et faites cuire à la vapeur tel qu'indiqué ci-dessous. Après la préparation, placez les pots dans le réfrigérateur pendant la nuit.

Aliment	Accessoires	Mode de cuisson	Température	Temps de cuisson
Dumplings à la levure	Plat de cuisson	Steam (Vapeur)	212 F (100 C)	20 – 25 min.
Sauce pâtissière aux œufs	Moule plus grille	Steam (Vapeur)	195 – 205 °F (90 – 95 °C)	15 – 20 min.
Petits plats sucrés à cuire (comme du pouding au pain)	Plat allant au four + grille	Steam Convection (Vapeur et convection)	320 – 340 F (160 – 170 °C)	50 – 60 min.
Riz au lait	Plat de cuisson	Steam (Vapeur)	212 F (100 C)	25 – 35 min.
Yogourt	Pots de la taille d'une portion + grille	Steam (Vapeur)	105 F (40 C)	5 – 6 heures
Compote de pommes	Plat de cuisson	Steam (Vapeur)	212 F (100 C)	10 – 15 min.
Compote de poires	Plat de cuisson	Steam (Vapeur)	212 F (100 C)	10 – 15 min.
Compote de cerises	Plat de cuisson	Steam (Vapeur)	212 F (100 C)	10 – 15 min.
Compote de rhubarbe	Plat de cuisson	Steam (Vapeur)	212 F (100 C)	10 – 15 min.
Compote de prunes	Plat de cuisson	Steam (Vapeur)	212 F (100 C)	10 – 15 min.

## Gâteaux et pâtisseries

Des tôles à pâtisserie en métal foncé sont recommandées. La température et le temps de cuisson varient selon la quantité et la consistance de la pâte. Les plages de températures sont fournies à cette fin dans les tableaux. Commencez avec le réglage de température le plus bas. Cela vous permettra de dorer davantage au besoin. Utilisez un réglage plus élevé la prochaine fois, au besoin. **NE** remplissez **PAS** trop la grille ou la plat de cuisson.

Aliment	Accessoires	Mode de cuisson	Température	Temps de cuisson
<b>Gâteaux dans des moules ou des moules à charnière</b>				
Gâteaux de Savoie	Moule à cheminée de 10 pouces (niveau 2)	True Convection (Convection réelle)	300 – 320 F (150 – 160 °C)	60 – 70 min.
Flan ou gâteau éponge aux fruits délicat	Moule à charnière (niveau 2)	True Convection (Convection réelle)	300 – 320 F (150 – 160 °C)	45 – 55 min.
Base de gâteau à éponge (2 œufs)	Anneau (niveau 2)	True Convection (Convection réelle)	360 – 375 F (180 – 175 °C)	12 – 16 min.
Flan éponge (6 œufs)	Moule à charnière (niveau 2)	True Convection (Convection réelle)	300 – 320 F (150 – 160 °C)	25 – 35 min.
Croûte feuilletée	Moule à charnière (niveau 2)	True Convection (Convection réelle)	300 – 320 F (150 – 160 °C)	40 – 50 min.

<b>Aliment</b>	<b>Accessoires</b>	<b>Mode de cuisson</b>	<b>Température</b>	<b>Temps de cuisson</b>
Flan suisse	Moule à charnière (niveau 2)	True Convection (Convection réelle)	360 – 375 F (180 – 175 °C)	35 – 60 min.
Savarin	Moule à savarin (niveau 2)	True Convection (Convection réelle)	325 – 350 F (163 – 177 °C)	35 – 45 min.
Gâteaux aromatiques	Plat à quiche (niveau 2)	True Convection (Convection réelle)	360 – 375 F (180 – 175 °C)	35 – 60 min.
Tartelette aux pommes	Moule pour gâteau à base de flan (niveau 2)	True Convection (Convection réelle)	340 – 375 F (170 – 190 °C)	35 – 50 min.
<b>Galettes</b>				
Gâteau de levure	Plat de cuisson (niveau 2)	Steam Convection (Vapeur et convection)/ True Convection (Convection réelle)	300 – 320 F (150 – 160 °C)/ 300 – 320 F (150 – 160 °C)	35 – 45 min. 35 – 45 min.
Roulé suisse	Plat de cuisson (niveau 2)	True Convection (Convection réelle)	360 – 375 F (180 – 175 °C)	10 – 15 min.
Pain tressé	Plat de cuisson (niveau 2)	Steam Convection (Vapeur et convection)	300 – 320 F (150 – 160 °C)	25 – 35 min.
Strudel, sucré	Plat de cuisson (niveau 2)	Steam Convection (Vapeur et convection)	320 – 360 F (160 – 180 °C)	40 – 60 min.
<b>Pain, petits pains</b>				
Pain blanc, 1,7 lb (0,75 kg) de farine	Plat de cuisson + papier sulfurisé (niveau 2)	Steam Convection (Vapeur et convection) True Convection (Convection réelle)	390 – 410 °F (200 – 210 °C)/ 320 – 340 °F (160 – 170 °C)	15 – 20 min./ 20 – 25 min.
Pain au levain, 1,7 lb (0,75 kg) de farine	Plat de cuisson + papier sulfurisé (niveau 2)	Steam Convection (Vapeur et convection) True Convection (Convection réelle)	390 – 410 °F (200 – 210 °C)/ 300 – 320 °F (150 – 160 °C)	15 – 20 min./ 40 – 60 min.
Pain multicéréales, 1,7 lb (0,75 kg) de farine	Plat de cuisson + papier sulfurisé (niveau 2)	Steam Convection (Vapeur et convection) True Convection (Convection réelle)	390 – 430 F (200 – 220 °C)/ 320 – 340 °F (160 – 170 °C)	15 – 20 min./ 25 – 40 min.

Aliment	Accessoires	Mode de cuisson	Température	Temps de cuisson
Pain à grains entiers, 1,7 lb (0,75 kg) de farine	Plat de cuisson + papier sulfurisé (niveau 2)	Steam Convection (Vapeur et convection)  True Convection (Convection réelle)	390 – 430 F (200 – 220 °C)/ 285 – 300 °F (140 – 150 °C)	20 – 30 min./  40 – 60 min.
Pain de seigle, 1,7 lb (0,75 kg) de farine	Plat de cuisson + papier sulfurisé (niveau 2)	Steam Convection (Vapeur et convection)  True Convection (Convection réelle)	390 – 430 F (200 – 220 °C)/ 300 – 320 °F (150 – 160 °C)	20 – 30 min./  50 – 60 min.
Petits pains, 0,15 lb (70 g) chacun, non cuits	Plat de cuisson + papier sulfurisé (niveau 2)	Steam Convection (Vapeur et convection)	375 – 390 F (190 – 200 °C)	25 – 30 min.
Petits pains de pâte sucrée, 0,15 lb (70 g) chacun, non cuits	Plat de cuisson + papier sulfurisé (niveau 2)	Steam Convection (Vapeur et convection)	340 – 360 °F (170 – 180 °C)	20 – 30 min.
<b>Petits produits de boulangerie</b>				
Meringue	Plat de cuisson (niveau 2)	True Convection (Convection réelle)	175 – 195 F (80 – 90 °C)	120 – 180 min.
Macarons	Plat de cuisson (niveau 2)	True Convection (Convection réelle)	285 – 320 °F (140 – 160 °C)	15 – 25 min.
Pâte feuilletée	Plat de cuisson (niveau 2)	Steam Convection (Vapeur et convection)	340 – 375 °F (170 – 190 °C)	10 – 20 min.
Muffins	Moule à muffins (niveau 2)	True Convection (Convection réelle)	340 – 375 °F (170 – 190 °C)	20 – 30 min.
Pâte à choux, comme les choux à la crème	Plat de cuisson (niveau 2)	True Convection (Convection réelle)	340 – 375 °F (170 – 190 °C)	27 – 35 min.
Biscuits	Plat de cuisson (niveau 2)	True Convection (Convection réelle)	300 – 320 F (150 – 160 °C)	12 – 17 min.
Gâteaux à pâte levée, comme un gâteau aux pommes	Plat de cuisson (niveau 2)	True Convection (Convection réelle)	300 – 320 F (150 – 160 °C)	15 – 20 min.

## Conseils de cuisson

Si vous utilisez votre propre recette.	Référez-vous aux gâteaux ou pâtisseries dans le tableau qui sont semblables à votre recette.
Ceci vous aidera à déterminer si le gâteau est cuit.	Environ 10 minutes avant la fin du temps de cuisson de votre recette, insérez un cure-dents dans la partie la plus haute du gâteau. Le gâteau est cuit lorsque le mélange ne colle plus au cure-dents.
Le gâteau s'affaisse.	La prochaine fois, utilisez moins de liquide ou réglez la température à 20 °F (10 °C) de moins. Respectez la durée de mélange indiquée dans la recette.

Le centre du gâteau est plus haut que les côtés.	Ne graissez pas les parois de votre moule à charnière ou à gâteau. Après la cuisson, retirez délicatement le gâteau du moule à l'aide d'un couteau.
Le gâteau cuit dans un moule à charnière ou un moule à pain est trop foncé à l'arrière.	Ne placez pas la plat de cuisson directement contre la paroi arrière du four. Placez-la au centre de la grille.
Le gâteau est trop sec.	Utilisez un cure-dent pour faire de petits trous dans le gâteau cuit et versez quelques gouttes de jus de fruits ou d'une boisson alcoolisée sur le gâteau. La prochaine fois, réglez la température à 20 °F (10 °C) et diminuez le temps de cuisson ou utilisez le mode de cuisson Steam Convection (Vapeur et convection).
Le pain ou le gâteau a bonne apparence, mais il est trop liquide à l'intérieur (trop humide, a des coulisses de liquide qui le traversent).	La prochaine fois, utilisez moins de liquide. Faites cuire la préparation un peu plus longtemps et à une température moins élevée. Vous pouvez cuire préalablement les fonds de tarte et les gâteaux comportant une garniture juteuse ou liquide. Saupoudrez le fond de tarte d'amandes ou de chapelure, puis ajoutez la garniture. Adhères au temps de cuisson indiqué dans la recette.
Les gâteaux ou les produits de boulangerie et pâtisserie dorent de façon irrégulière.	Réglez le four à une température inférieure la prochaine fois.

## Réchauffage des aliments

Aliment	Accessoires	Mode de cuisson	Température	Temps
Assiette plate	Grille (niveau 2)	Reheat (Réchauffage)	250 F (120 C)	12 – 18 min.
Légumes	Plat de cuisson (niveau 3)	Reheat (Réchauffage)	212 F (100 C)	12 – 15 min.
Nouilles, pommes de terre, riz	Plat de cuisson (niveau 3)	Reheat (Réchauffage)	212 F (100 C)	5 – 10 min.
Petits pains	Grille (niveau 2)	Steam Convection (Vapeur et convection)	340 – 360 °F (170 – 180 °C)	6 – 8 min.
Baguettes	Grille (niveau 2)	Steam Convection (Vapeur et convection)	340 – 360 °F (170 – 180 °C)	5 – 10 min.
Pain	Grille (niveau 2)	Steam Convection (Vapeur et convection)	340 – 360 °F (170 – 180 °C)	8 – 12 min.
Pizza	Grille + plat de cuisson (niveau 3)	Reheat (Réchauffage)	340 – 360 °F (170 – 180 °C)	12 – 15 min.

## Décongélation

Congelez les aliments aussi plats que possible dans des portions appropriées à -0 F (-18 C). Ne congelez pas des portions trop grandes. Les aliments décongelés ne se gardent pas aussi longtemps et deviennent périmés plus vite que les aliments frais. Décongelez les aliments dans un sac de congélation sur une assiette ou dans le plat de cuisson perforé. Installez toujours le plat de cuisson sous le plat de cuisson perforé.

Ceci permet d'éviter aux aliments de tremper dans l'eau de décongélation et garde le four propre. Utilisez le mode Defrost (Décongeler). Au besoin, pendant que l'aliment se décongèle, séparez-le ou sortez les morceaux qui se sont déjà décongelés de l'appareil. Laissez les aliments reposer encore 5 à 15 minutes après leur décongélation pour s'assurer qu'ils sont à la température de la pièce.



### AVERTISSEMENT :

Lorsque vous décongelez des viandes, assurez-vous de retirer le liquide de décongélation. Le liquide ne doit pas entrer en contact avec d'autres aliments. Des bactéries pourraient se transférer aux autres aliments. Une fois la décongélation des aliments terminée, faites réchauffer le four à vapeur au moyen du mode True Convection (Convection réelle) pendant 15 minutes à 360 °F (180 °C).

**Décongélation de la viande :** Décongelez les pièces de viande qui sont panées simplement pour que les assaisonnements et la chapelure adhèrent à la viande.

**Décongélation de la volaille :** Retirez la volaille de son emballage avant de la décongeler. Assurez-vous de vider tout liquide de décongélation.

Aliment	Quantité/Poids	Accessoires	Temps de cuisson
Poulet en morceaux, avec l'os	2 lb (1 kg)	Plat de cuisson perforé (niveau 3) + plat de cuisson (niveau 1)	60 – 70 min.
Morceaux de poulet, désossés	1 lb (0,4 kg)	Plat de cuisson perforé (niveau 3) + plat de cuisson (niveau 1)	30 – 35 min.
Légumes congelés en bloc (comme des épinards)	1 lb (0,4 kg)	Plat de cuisson perforé (niveau 3) + plat de cuisson (niveau 1)	20 – 30 min.
Baies	0,66 lb (0,3 kg)	Plat de cuisson perforé (niveau 3) + plat de cuisson (niveau 1)	5 – 8 min.
Filets de poisson	1 lb (0,4 kg)	Plat de cuisson perforé (niveau 3) + plat de cuisson (niveau 1)	15 – 20 min.
Boeuf	–	Plat de cuisson perforé (niveau 3) + plat de cuisson (niveau 1)	70 – 80 min.

## Fermentation du pain

La pâte lève plus rapidement en utilisant ce mode qu'à la température de la pièce.

Placez le bol avec la pâte à levain sur la grille. NE couvrez PAS la pâte.

Aliment	Quantité/Poids	Accessoires	Température	Temps de fermentation
Pâte à levure	2 lb (1 kg)	Bol + grille	100 F (38 C)	20 – 30 min.
Levain	2 lb (1 kg)	Bol + grille	100 F (38 C)	20 – 30 min.

## Produits congelés

Suivez les consignes du fabricant sur l'emballage. Les temps de cuisson spécifiés s'appliquent à des aliments placés dans un four froid.

Aliment	Accessoires	Mode de cuisson	Température	Temps de cuisson
Frites	Plat de cuisson + papier sulfurisé (niveau 2)	True Convection (Convection réelle)	340 – 375 F (170 – 190 °C)	25 – 35 min.
Croquettes	Plat de cuisson + papier sulfurisé (niveau 2)	True Convection (Convection réelle)	360 – 390 F (180 – 200 °C)	18 – 22 min.
Pommes de terre frites finement tranchées	Plat de cuisson + papier sulfurisé (niveau 2)	True Convection (Convection réelle)	360 – 390 F (180 – 200 °C)	25 – 30 min.
Pâtes fraîches, réfrigérées**	Plat de cuisson + papier sulfurisé (niveau 2)	Steam (Vapeur)	212 F (100 C)	5 – 10 min.
Lasagne, congelée	Plat de cuisson + grille (niveau 2)	Steam Convection (Vapeur et convection)	375 – 410 F (190 – 210 °C)	35 – 55 min.
Pizza, pâte mince	Plat de cuisson + grille (niveau 2)	True Convection (Convection réelle)	360 – 390 F (180 – 200 °C)	15 – 23 min.
Pizza, croûte épaisse	Plat de cuisson + grille (niveau 2)	True Convection (Convection réelle)	360 – 390 F (180 – 200 °C)	18 – 25 min.
Pizza, pain français	Plat de cuisson + grille (niveau 2)	True Convection (Convection réelle)	360 – 390 F (180 – 200 °C)	18 – 22 min.
Pizza froide	Plat de cuisson + papier sulfurisé (niveau 2)	True Convection (Convection réelle)	340 – 360 F (170 – 180 °C)	12 – 17 min.
Baquettes avec beurre aux herbes, réfrigérées	Plat de cuisson (niveau 2)	True Convection (Convection réelle)	360 – 390 F (180 – 200 °C)	15 – 20 min.
Bretzels, congelés	Plat de cuisson + papier sulfurisé (niveau 2)	True Convection (Convection réelle)	360 – 390 F (180 – 200 °C)	18 – 22 min.
Petits pains ou baguettes cuits en partie, précuits	Plat de cuisson + papier sulfurisé (niveau 2)	True Convection (Convection réelle)	300 – 340 F (150 – 170 °C)	18 – 22 min.
Strudel, congelé	Plat de cuisson + papier sulfurisé (niveau 2)	Steam Convection (Vapeur et convection)	320 – 360 F (160 – 180 °C)	45 – 60 min.
Bâtonnets de poisson	Plat de cuisson + papier sulfurisé (niveau 2)	True Convection (Convection réelle)	380 – 400 F (195 – 205 °C)	20 – 24 min.
Poisson entier	Plat de cuisson perforé (niveau 3) + plat de cuisson (niveau 1)	Steam (Vapeur)	175 – 212 F (80 – 100 °C)	20 – 25 min.

\*Ajoutez un peu de liquide

Aliment	Accessoires	Mode de cuisson	Température	Temps de cuisson
Filets de poisson congelés	Plat de cuisson + grille (niveau 2)	Steam Convection (Vapeur et convection)	360 – 390 F (180 – 200 °C)	35 – 50 min.
Filets de saumon	Plat de cuisson perforé (niveau 3) + plat de cuisson (niveau 1)	Steam (Vapeur)	175 – 212 F (80 – 100 °C)	20 – 25 min.
Brocoli	Plat de cuisson perforé (niveau 3) + plat de cuisson (niveau 1)	Steam (Vapeur)	212 F (100 C)	4 – 6 min
Chou-fleur	Plat de cuisson perforé (niveau 3) + plat de cuisson (niveau 1)	Steam (Vapeur)	212 F (100 C)	5 – 8 min.
Haricots verts	Plat de cuisson perforé (niveau 3) + plat de cuisson (niveau 1)	Steam (Vapeur)	212 F (100 C)	4 – 6 min
Pois	Plat de cuisson perforé (niveau 3) + plat de cuisson (niveau 1)	Steam (Vapeur)	212 F (100 C)	4 – 6 min
Carottes	Plat de cuisson perforé (niveau 3) + plat de cuisson (niveau 1)	Steam (Vapeur)	212 F (100 C)	3 – 5 min.
Légumes mélangés	Plat de cuisson perforé (niveau 3) + plat de cuisson (niveau 1)	Steam (Vapeur)	212 F (100 C)	4 – 8 min.
Choux de Bruxelles	Plat de cuisson perforé (niveau 3) + plat de cuisson (niveau 1)	Steam (Vapeur)	212 F (100 C)	5 – 10 min.

\*Ajoutez un peu de liquide

## Aliments spéciaux

Aliment	Taille	Accessoires	Mode de cuisson	Température	Temps de cuisson
Œufs mollets	Gros	Plat de cuisson perforé + (niveau 3) Plat de cuisson (niveau 1)	Steam (Vapeur)	212 F (100 C)	9 – 11 min.
Œufs durs	Gros	Plat de cuisson perforé + plat de cuisson	Steam (Vapeur)	212 F (100 C)	14 – 17 min.

# Conseils

## Plats allant au four

- Utilisez les accessoires fournis avec l'appareil. Lorsque vous utilisez les plats de cuisson allant au four, placez-les toujours au centre de la grille. Les plats allant au four doivent être résistants à la chaleur et à la vapeur. Les plats de cuisson à parois épaisses prolongent le temps de cuisson.
- Utilisez de l'aluminium pour couvrir les aliments qui normalement se préparent dans un bain-marie (comme lorsque vous faites fondre du chocolat).

## Cuisson à la vapeur

- Lors de la cuisson à la vapeur, les temps de cuisson sont basés sur la taille d'un morceau, non sur la quantité d'aliments au total. L'appareil peut cuire à la vapeur jusqu'à 14 lb (6,4 kg) d'aliments.
- Notez les tailles des morceaux inscrits dans les tableaux. Le temps de cuisson est plus court pour les plus petits morceaux et plus longs pour les plus gros. La qualité et la fraîcheur de l'aliment a également une incidence sur le temps de cuisson. Les valeurs fournies ne servent donc qu'à titre indicatif.
- Distribuez toujours les aliments uniformément dans les plats allant au four. Si les aliments ne sont pas placés uniformément dans le plat, leur cuisson sera inégale.
- N'empilez pas trop hauts les aliments délicats dans un plat de cuisson. Il est préférable d'utiliser deux plats dans ce cas.

# Nettoyage et entretien

## Nettoyage

### AVIS :

- Nettoyez les résidus et dégâts d'aliments de la cavité immédiatement après que l'appareil soit refroidi. Les résidus brûlés sont très difficiles à enlever plus tard.
- Les sels sont très abrasifs et peuvent entraîner des taches de rouille. Nettoyez les résidus causés par des sauces épaisses (ketchup, moutarde) ou les aliments salés immédiatement après le refroidissement du four.



### AVERTISSEMENT :

RISQUES DE BRÛLURES – Attendez que l'appareil soit refroidi avant de nettoyer.



### AVERTISSEMENT :

RISQUE DE COURT-CIRCUIT – N'utilisez jamais des nettoyeurs haute pression ou de souffleurs à jet de vapeur pour nettoyer l'appareil.

### Éponge de nettoyage

Utilisez l'éponge de nettoyage pour enlever toute eau qui demeure dans le plat évaporateur. Essuyez le four avec l'éponge de nettoyage et séchez par la suite avec un chiffon doux.

L'éponge de nettoyage fournie est très absorbante. Utilisez exclusivement l'éponge de nettoyage pour nettoyer la cavité du four et pour enlever toute eau restante dans le plat évaporateur.

Lavez l'éponge de nettoyage en profondeur après sa première utilisation. L'éponge de nettoyage peut être lavée au lave-vaisselle.

## Produits de nettoyage

<b>Extérieur de l'appareil</b>	Utilisez de l'eau savonneuse et un chiffon doux pour sécher.
panneau frontal/poignée en aluminium	Produit d'entretien doux pour les vitres. Essuyez dans un angle horizontal à l'aide d'un chiffon doux pour vitres ou un chiffon en microfibres non pelucheux sans appliquer de pression sur les surfaces.
panneau avant, garniture, poignée de la porte en acier inoxydable	Utilisez de l'eau savonneuse et un chiffon doux pour sécher. Nettoyez toujours immédiatement les taches occasionnées par les dépôts de calcaire, la graisse, l'huile, l'amidon et les blancs d'oeuf. Des nettoyants spéciaux pour l'acier inoxydable sont disponibles par l'entremise du service à la clientèle ou dans des magasins au détail.
<b>Intérieur du four</b>	Eau chaude savonneuse ou un mélange de vinaigre et d'eau. Utilisez l'éponge de nettoyage fournie ou une brosse à vaisselle douce. <b>AVIS:</b> N'utilisez jamais de laine d'acier ou de tampon abrasif! La cavité du four peut rouiller. Si le four est très souillé, utilisez un nettoyant tout usage, comme Simple Green. Suivez les directives de l'emballage pour le mélange. Pulvérisez sur les taches, laissez agir pendant 15 à 30 minutes, puis essuyez la cavité toute entière avec des serviettes de papier ou un chiffon. Activez le cycle Steam Clean (Nettoyage vapeur) pour rincer la cavité complètement. <b>AVIS:</b> Ne laissez pas l'ampoule du four, l'ampoule ou les joints de la porte entrer en contact avec le nettoyant.
<b>Plat évaporateur</b>	Eau chaude savonneuse ou un mélange de vinaigre et d'eau.
<b>Joint extérieur sur le four</b>	Eau chaude savonneuse.
<b>Réservoir d'eau</b>	Eau savonneuse. Ne pas mettre au lave-vaisselle!
Fente de réservoir	Essuyez après chaque utilisation.
Joint de couverture	Essuyez complètement après chaque utilisation.

<b>Rails de grille</b>	Utilisez de l'eau chaude savonneuse ou lavez au lave-vaisselle (voyez <i>Nettoyage des grilles</i> ).
<b>Verre de porte</b>	Nettoyant pour vitres.
<b>Accessoires</b>	Trempez dans de l'eau chaude savonneuse. Nettoyez avec une brosse ou une éponge de cuisine ou lavez au lave-vaisselle. Utilisez un mélange d'eau et de vinaigre pour les taches ou la décoloration causée par les aliments contenant de l'amidon (comme le riz).

### Important :

N'utilisez jamais de produits abrasifs pour nettoyer le four à vapeur.

Retirez toutes les traces de produits nettoyants utilisés dans le four à vapeur en suivant attentivement toutes les consignes pour l'essuyage du four et l'exécution des cycles de rinçage. Les résidus de nettoyage peuvent adhérer au verre de la porte du four. Ils peuvent également avoir un effet néfaste sur la saveur des aliments cuits dans le four à vapeur.

N'utilisez jamais de laine d'acier ou de tampon abrasif pour nettoyer le four à vapeur. La cavité du four peut rouiller si elle ne fait pas l'objet d'un entretien adéquat.

## Nettoyage à la vapeur

Le nettoyage à la vapeur utilise de la vapeur pour faire disparaître les résidus d'aliments et les dégâts dans le four afin qu'ils puissent être facilement nettoyés par la suite. Le nettoyage à la vapeur comprend une phase d'exposition à 212 °F (100 °C), une phase de nettoyage à des températures plus froides et deux cycles de rinçage. Le nettoyage à la vapeur exige un temps total de 30 à 35 minutes.

Vous pouvez seulement utiliser le mode STEAM CLEAN (Nettoyage vapeur) lorsque le four est éteint et complètement refroidi. **Le fonctionnement de l'appareil sera bloqué si le mode Nettoyage vapeur est annulé. L'appareil ne pourra pas être utilisé de nouveau tant que le premier et le deuxième cycle de nettoyage ont été terminés pour s'assurer qu'aucun agent de nettoyage ne demeure à l'intérieur.**

### REMARQUE :

Le nettoyage à la vapeur exige 3 cycles de démarrage/d'arrêt. Le nettoyage à la vapeur ne peut être interrompu une fois qu'il a été lancé. Les trois cycles au complet doivent être effectués avant que l'appareil puisse être libéré.

### Phase de nettoyage (cycle 1)

1. Laissez le four se refroidir et retirez tous les accessoires.
2. À l'aide de l'éponge de nettoyage fournie avec le four (ou d'une éponge ou d'un chiffon doux comparable), nettoyez le plat évaporateur.

3. Remplissez le réservoir d'eau à MAX.
4. Ajoutez une goutte de liquide de lave-vaisselle au plat évaporateur.
5. À l'affichage, sous le menu SETTINGS (Réglages), défiler avec les touches "+/-" à STEAM CLEAN (Nettoyage vapeur) et appuyez sur "ENTER".
6. Le système affichera ensuite START STEAM CLEAN? YES (Oui). Appuyez de nouveau sur ENTER.
  - L'utilisation des touches "+/-" donne l'option START STEAM CLEAN? (Démarrer nettoyage vapeur?) NO (Non). Si vous appuyez sur "ENTER" quand l'affichage indique START STEAM CLEAN? (Démarrer nettoyage vapeur?) NO (non), l'affichage revient au menu précédent, affichage STEAM CLEAN (Nettoyage vapeur) sous le menu SETTINGS (Réglages).
7. Appuyez sur "ENTER" pour lancer le nettoyage à la vapeur.
  - L'affichage indiquera EXPOSURE PHASE (Phase d'exposition) sur la première ligne et un temps d'exposition de 10 minutes sur la deuxième ligne. L'affichage lancera le compte à rebours de 10:00 à 0:00. L'affichage affichera ensuite CLEANING PHASE (Phase de nettoyage) et un temps total de 20 minutes. Le compte à rebours de 20:00 à 0:00 commencera.

À la fin de la phase de nettoyage (environ 30 minutes), le compte à rebours est interrompu et un avertissement sonore retentit. – L'affichage indiquera CLEAN DISH (Nettoyer le plat) sur la première ligne et PRESS ENTER BUTTON (Appuyer sur le bouton Enter) sur la deuxième ligne. N'appuyez PAS sur ENTER avant de suivre les instructions ci-dessous.

### Premier rinçage (cycle 2)

8. Retirez les rails du gril du four et essuyez les résidus d'aliments ramollis qui s'y trouvent (voyez *"Nettoyage des grilles"* à la page 37).
9. Utilisez une brosse à vaisselle **douce** et l'éponge de nettoyage pour essuyer les aliments renversés partiellement dissous du four et du plat évaporateur. Nettoyez à fond l'éponge de nettoyage.
10. Vérifiez le réservoir d'eau, remplissez-le et rentrez-le en place.

11. Appuyez sur “**ENTER**” pour lancer le premier cycle de rinçage.
  - L’affichage indiquera 1ST RINSE (1ER Rinçage) sur la première ligne. Le compte à rebours reprendra, et après un court délai (environ 20 secondes), un avertissement sonore signalera la fin du premier rinçage.
  - L’affichage indiquera CLEAN DISH (Nettoyer le plat) sur la première ligne et PRESS ENTER BUTTON (Appuyer sur le bouton Enter) sur la deuxième ligne.
12. Avec l’éponge de nettoyage, essuyez le plat évaporateur. Rincez à fond l’éponge de nettoyage.

### Deuxième rinçage (cycle 3)

13. Appuyez sur “**ENTER**” pour lancer le deuxième cycle de rinçage.
  - L’affichage indiquera 2ND RINSE (2E Rinçage) sur la première ligne. Le compte à rebours reprendra, et après un autre court délai (environ 20 secondes), un avertissement sonore retentira pour signaler la fin du nettoyage à la vapeur. L’affichage indiquera STEAM CLEAN FINISHED (Nettoyage vapeur terminé) sur la première ligne et CLEAN DISH (Nettoyer plat) sur la deuxième ligne.
14. Avec l’éponge de nettoyage, essuyez toute eau restante dans le plat évaporateur et essuyez le four. Rincez à fond l’éponge de nettoyage.
15. Avec un chiffon doux, séchez la cavité du four.

## Détartrage du four à vapeur

À moins d’utiliser de l’eau adoucie, il vous faudra détartre le four à vapeur à intervalles réguliers. Une fois que vous avez réglé le niveau de dureté de l’eau (voyez page 7), l’affichage du four à vapeur vous informera automatiquement quand le détartage est requis. Le détartage comprend une phase d’exposition, deux phases de détartage et deux phases de rinçage, lesquelles prendront au total 30 à 35 minutes.

Dureté de l’eau	Compteur d’heures de fonctionnement
1 – adoucie	sans limite, sans message
2 – douce	400 heures
3 – moyenne	200 heures
4 – dure	100 heures
5 – très dure	70 heures

Si le nombre d’heures de fonctionnement est dépassé, le message DESCALING NEEDED (Détartrage requis) sera affiché chaque fois qu’un nouveau mode de cuisson est sélectionné. Sélectionnez ENTER pour continuer. Une fois l’opération de détartage terminée, le compte d’heures de fonctionnement sera remis à zéro et le message ne sera plus affiché.

Vous pouvez seulement entamer le processus de détartage lorsque le four est éteint et est complètement froid. Une fois que le détartage est lancé, il ne doit pas être interrompu. Il est important que tous les cycles de rinçage soient complétés. **Le fonctionnement de l’appareil sera bloqué si le détartage est annulé. L’appareil ne pourra pas être utilisé de nouveau tant que le premier et le deuxième cycle de nettoyage ont été terminés pour s’assurer qu’aucun agent de nettoyage ne demeure à l’intérieur.**

### REMARQUE :

Le détartage exige 3 cycles de démarrage/d’arrêt.

### Phase de détartage (cycle 1)

1. Employez uniquement le produit de détartage recommandé par le service à la clientèle (numéro de pièce BSH 573828; à obtenir auprès de votre revendeur ou à commander à [www.thermador-eshop.com](http://www.thermador-eshop.com)), mélangez 32 oz. (1 quart ou 945 ml) d’eau avec 1 paquet de poudre détartante pour obtenir une solution de détartage.
2. Videz le réservoir d’eau et remplissez-le avec la solution de détartage. Remettez en place le réservoir d’eau.
3. À l’affichage, sous le menu **SETTINGS** (Réglages), défillez avec les touches “+/-” à **DESCALING** (Détartage) et appuyez sur “**ENTER**”. Le système affichera ensuite START DESCALING? (Démarrer détartage?) YES” (Oui).
  - L’utilisation des touches “+/-” donne l’option START DESCALING? (Démarrer détartage?) NO (non). Si vous appuyez sur “**ENTER**” quand l’affichage indique START DESCALING? (Démarrer détartage) NO (Non), l’affichage revient au menu précédent, affichant DESCALING (Détartage) sous le menu SETTINGS (Réglages).
4. Appuyez sur “**ENTER**” pour lancer le détartage.
  - L’affichage indiquera EXPOSURE PHASE (Phase d’exposition) sur la première ligne et 10:00 sur la deuxième ligne et le compte à rebours à 0:00 est lancé. DESCALING PHASE (Phase de détartage) est affiché avec un temps de 20 minutes.

À la fin de la phase de détartage, le compte à rebours est interrompu et un avertissement sonore retentira. L’affichage indiquera CLEAN DISH, FILL TANK (Nettoyer plat, remplir réservoir) sur la première ligne et AND WIPE OUT OVEN (Essuyer le four) sur la deuxième ligne.

### Premier rinçage (cycle 2)

5. Retirez le réservoir d'eau et lavez-le à fond, remplissez-le d'eau et remettez-le en place.
6. Avec l'éponge de nettoyage fournie avec votre four (ou un chiffon ou une éponge douce comparable), essuyez toute eau restante dans le plat évaporateur et essuyez le four. Nettoyez à fond l'éponge de nettoyage.
7. L'affichage indiquera maintenant **PRESS ENTER BUTTON** (Appuyer sur le bouton Enter). Appuyez sur **"ENTER"** pour lancer le premier cycle de rinçage.
  - L'affichage indiquera **1ST RINSE (1ER Rinçage)** sur la première ligne. Le compte à rebours reprendra.
8. Après 20 secondes, un avertisseur sonore signalera la fin du premier cycle de rinçage.
  - L'affichage indiquera **CLEAN DISH (Nettoyer le plat)** sur la première ligne et **PRESS ENTER BUTTON** (Appuyer sur le bouton Enter) sur la deuxième ligne.
9. Avec une éponge de nettoyage, essuyez toute eau restante dans le plat évaporateur.

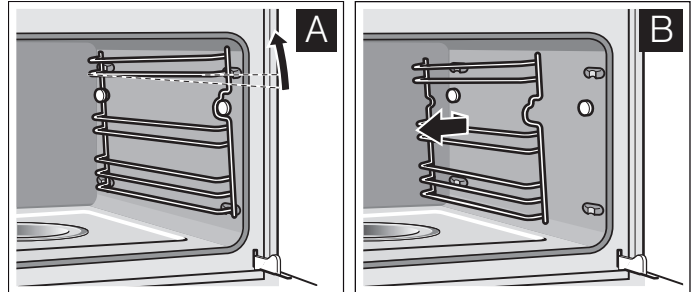
### Deuxième rinçage (cycle 3)

10. Appuyez sur **"ENTER"** pour lancer le deuxième cycle de rinçage.
  - L'affichage indiquera **2ND RINSE (2E Rinçage)** sur la première ligne. Le compte à rebours reprendra de nouveau.
11. Après 20 secondes, un avertisseur sonore signalera la fin du détartrage. L'affichage indiquera **DESCALE FINISHED (Détartrage terminé)** sur la première ligne et **CLEAN DISH (Nettoyer plat)** sur la deuxième ligne.
12. Avec une éponge de nettoyage, essuyez toute eau restante dans le plat évaporateur et essuyez le four. Rincez à fond l'éponge de nettoyage.
13. Avec un chiffon doux, séchez la cavité du four.

## Nettoyage des grilles

### Retrait des grilles

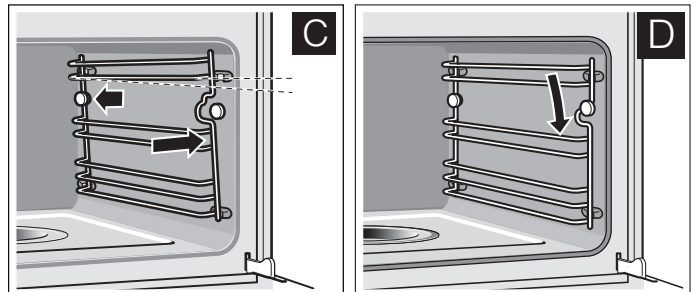
1. Tirez délicatement le devant de la grille vers le haut jusqu'à ce qu'elle soit décrochée et libérez-la du support latéral (image A).
2. Décrochez la grille du support et retirez-la (image B).



3. Utilisez un détergent à vaisselle et une éponge ou une brosse de cuisine pour nettoyer la grille ou bien nettoyez la grille au lave-vaisselle.

### Réinsertion des grilles

1. Insérez la grille avec les entailles vers le haut. Les grilles sont conçues pour pouvoir être installées sur un seul côté. Les grilles ne s'insèrent que d'un seul côté.
2. Accrochez la grille à l'arrière et poussez-la jusqu'à ce qu'elle s'engage correctement (image C).
3. Accrochez la grille sur le support avant et appuyez vers le bas jusqu'à ce qu'elle s'engage et soit solidement en place à l'intérieur de l'appareil (image D).

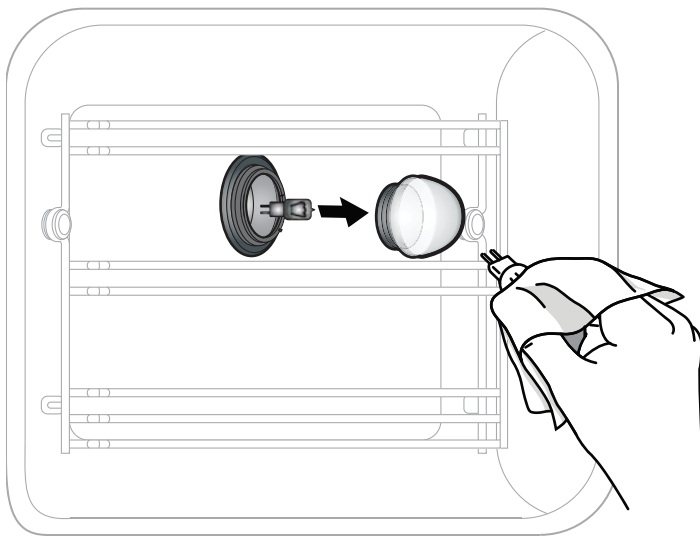


# Entretien

## Remplacement de l'ampoule du four à vapeur

Des ampoules à halogène de 230 V / 25 W maximum résistantes à la chaleur avec joint peuvent être achetées par l'entremise de magasins au détail ou du service à la clientèle. Lorsque vous achetez par l'intermédiaire du service à la clientèle, communiquez les numéros de modèle et de série de l'appareil.

1. Coupez l'alimentation à l'appareil au disjoncteur depuis la boîte de disjoncteurs.
2. Tournez le couvercle dans le sens antihoraire.
3. Retirez l'ampoule en saisissant et en la tirant droit vers l'arrière.
4. Ne touchez pas au verre de la nouvelle ampoule de remplacement avec les doigts. Cela pourrait provoquer la défaillance de l'ampoule lorsqu'elle s'allume pour la première fois. Saisissez l'ampoule de remplacement avec un chiffon propre et sec. Repérez les deux tiges dans le support de céramique, en tâtant légèrement jusqu'à ce que les deux tiges s'insèrent dans la douille céramique.
5. Assurez-vous que les joints et l'anneau de tension se trouvent sur le couvercle de verre. Vissez le couvercle de verre.
6. Rebranchez l'alimentation à l'appareil.



N'utilisez jamais l'appareil sans le couvercle de glace ou les joints.

# Service

## Dépannage

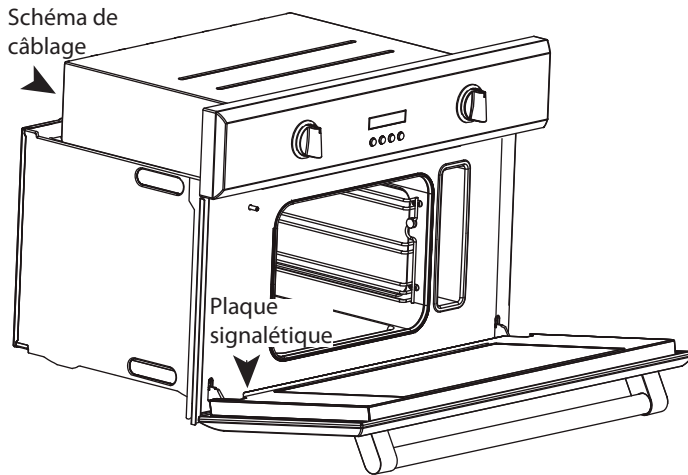
Si vous éprouvez un problème, la cause sera habituellement mineure. Avant de contacter le service à la clientèle, veuillez songer à suivre les suggestions et les instructions ci-dessous :

Problème	Cause probable	Conseil/Solution
L'appareil ne fonctionne pas.	Le cordon n'est pas branché.	Branchez l'alimentation électrique à l'appareil.
	Panne d'électricité	Vérifiez si les autres appareils fonctionnent bien.
	Fusible défectueux	Vérifiez si le fusible ou la boîte à disjoncteurs si le disjoncteur ou le fusible pour l'appareil fonctionne.
	Mauvais fonctionnement	Coupez l'alimentation principale à l'appareil (fusible ou boîte de disjoncteurs) et rebranchez-la après environ 10 secondes.
L'appareil ne se met pas en marche.	La porte de l'appareil ne se ferme pas complètement.	Fermez la porte de l'appareil.
La réserve d'eau se vide sans raison apparente. Le plat évaporateur déborde.	La réserve d'eau n'a pas été fermée correctement.	Fermez le couvercle du réservoir jusqu'à ce qu'il s'insère correctement en place.
	Le joint d'étanchéité du couvercle du réservoir est sale	Nettoyez le joint.
	Le joint d'étanchéité du couvercle du réservoir est défectueux	Commandez un nouveau réservoir d'eau du service à la clientèle.
Le plat évaporateur a bouilli à sec même si la réserve d'eau est pleine	La réserve d'eau n'a pas été insérée correctement	Glissez la réserve d'eau jusqu'à ce qu'elle se verrouille en place.
	La conduite d'alimentation est bloquée	Détartrez l'appareil. Vérifiez que le niveau de dureté de l'eau est réglé correctement.
Un bruit de clapotis se fait entendre lors de la cuisson	C'est un changement de température qui affecte les aliments congelés et qui est causé par la vapeur d'eau	Ce phénomène est tout à fait normal.
Une quantité de vapeur excessive est produite lors de la cuisson à l'étuvée	L'étalonnage de l'appareil se fait automatiquement	Ce phénomène est tout à fait normal.
Une quantité de vapeur excessive est produite de façon répétitive lors de la cuisson à la vapeur	L'étalonnage automatique de l'appareil ne peut se faire lors de la cuisson sur de courtes périodes de temps	Régalez l'appareil sur ses réglages d'origine configurés en usine (voyez <i>Réglages de base</i> ). Ensuite, lancez le mode Steam (Vapeur) pendant 20 minutes à 210 °F (100 °C).
De la vapeur s'échappe des ouvertures de ventilation lors de la cuisson		Ce phénomène est tout à fait normal.
L'appareil ne produit plus de vapeur de façon normale	L'appareil doit être détartré	Lancez le mode Decalcify (Détartrage)

## Emplacements de la plaque signalétique et du schéma de câblage

Les plaques signalétiques contiennent les numéros de modèle et de série. Vous pouvez trouver cette information au bas du cadre avant, derrière la porte du four.

Les schémas de câblage électrique sont fixés au dos de l'appareil et ne doivent pas être retirés sauf par un technicien de service, puis remis en place après l'utilisation.



## Information de service

Les réparations doivent être effectuées uniquement par un personnel d'entretien formé. Toute réparation inadéquate de votre appareil peut entraîner un risque de blessure grave ou de mort.

Pour rejoindre un représentant du service, voyez l'information de contact à la dernière page du manuel. Que vous écriviez ou appeliez, veuillez nous fournir le numéro de modèle, le numéro de série et la date d'achat original.

Pour référence pratique, copiez l'information ci-après de la plaque signalétique. Conservez votre facture aux fins de la garantie.

Numéro de modèle \_\_\_\_\_

Numéro de série \_\_\_\_\_

Date d'achat \_\_\_\_\_

Numéro de téléphone du revendeur \_\_\_\_\_

Numéro de téléphone du revendeur \_\_\_\_\_

Nom du centre de service \_\_\_\_\_

Numéro de téléphone du centre de service \_\_\_\_\_

Par ailleurs, entrez cette information sur le formulaire d'enregistrement du produit inclus avec ce produit, puis envoyez ce formulaire par la poste à l'adresse indiquée.

Enregistrez votre produit BSH pour assurer un service opportun et l'accès à l'information liée à votre produit. Vous pouvez enregistrer votre produit de plusieurs manières :

1. Envoyez par la poste la carte d'enregistrement du produit THERMADOR<sup>MC</sup> dûment remplie.
2. Enregistrez votre produit en ligne à [www.thermador.ca](http://www.thermador.ca).
3. Appelez-nous au service à la clientèle de THERMADOR au 1-800-735-4328.

# Énoncé de la garantie

## Couverture de la garantie limitée :

La garantie limitée fournie par BSH Home Appliances dans cet énoncé de garantie limitée s'applique seulement à l'appareil THERMADOR<sup>MC</sup> qui vous a été vendu à titre de premier acheteur, en autant que le produit ait été acheté :

- pour une utilisation normale résidentielle (non commerciale), et qu'en fait en tout temps a été utilisé pour un usage domestique normal.
- nouveau au détail (non en montre, tel quel ou un modèle retourné antérieurement), qu'il n'est pas destiné à la revente ni à un usage commercial.
- aux États-Unis ou au Canada et qu'il est demeuré en tout temps dans le pays où l'appareil a été acheté.

Les garanties données ici s'appliquent seulement au premier acheteur du produit et ne sont pas transférables.

S'assurer de retourner la carte d'enregistrement, quoiqu'elle n'est pas nécessaire pour la garantie, c'est la façon dont BSH peut vous aviser dans le cas d'un avis de rappel ou de sécurité du produit.

## Durée de la garantie

**Produit fabriqué avant le 1<sup>er</sup> janvier 2012 avec numéro de FD911299999 ou moins :** BSH garantit que le produit ne présente aucun défaut de matériaux ou de fabrication pour une période de trois-cent soixante-cinq (365) jours à compter de la date d'achat. La durée commence à la date d'achat et ne sera pas allongée, prolongée, interrompue pour quelle que raison que ce soit.

**Produit fabriqué après le 1<sup>er</sup> janvier 2012 avec un numéro de FD920100000 ou plus :** BSH garantit que le produit ne présente aucun défaut de matériaux ou de fabrication pour une période de sept-cent and trente (730) jours à compter de la date d'achat. La durée commence à la date d'achat et ne sera pas allongée, prolongée, interrompue pour quelle que raison que ce soit.

## Réparation ou remplacement comme solution exclusive

Pendant la période de garantie, BSH ou un de ses centres de service autorisés réparera le produit sans frais (sujet à certaines limitations indiquées dans le présent document), si le produit présente un défaut de fabrication ou de matériaux. Si des tentatives raisonnables pour réparer le produit sont vaines, alors BSH remplacera le produit (un modèle supérieur peut être disponible, à la seule discrétion de BSH, moyennant des frais additionnels). Toutes les pièces ou les composants enlevés demeurent la seule propriété de BSH. Toute pièce et tout composant réparés doit être identique à la pièce d'origine à des fins de cette

garantie et la garantie ne sera pas prolongée en regard de telles pièces. La seule responsabilité de BSH est de faire réparer le produit défectueux par un centre de service autorisé pendant les heures d'affaires normales. Pour la sécurité et éviter des dommages à la propriété, BSH recommande fortement de ne pas réparer le produit soi-même ou le faire réparer par une personne non qualifié; BSH ne sera pas tenu responsable de réparations ou de travail effectués par un centre de service non autorisé. Si le consommateur désire faire réparer par une personne autre qu'une personne autorisée, CETTE GARANTIE EST AUTOMATIQUEMENT NULLE ET NON AVENUE. Les centres de service autorisés sont les personnes ou les compagnies qui ont été spécialement formées sur les produits BSH et qui possèdent, selon l'opinion de BSH, une réputation supérieure pour le service à la clientèle et la capacité technique (il est à noter qu'elles sont des entités indépendantes et non des agents, partenaires, affiliations ou représentants de BSH). Nonobstant ce qui suit, BSH ne sera pas tenu responsable d'aucune façon si le produit est situé dans une région éloignée (supérieure à 100 miles d'un centre de service autorisé) ou n'est pas accessible de façon raisonnable, dans un environnement hasardeux, dangereux; dans une telle éventualité, à la demande du consommateur, BSH pourrait payer les frais de main-d'oeuvre et de pièces et expédier les pièces à un centre de service autorisé le plus près, mais le consommateur serait entièrement responsable pour tous les frais de déplacement et autres frais spéciaux encourus par le centre de service, en autant qu'il accepte l'appel de service.

## Produit hors garantie

BSH n'a aucun obligation, aux termes de la loi ou autrement, d'offrir toute concession, incluant réparation, prorata ou remplacement de produit une fois la garantie expirée.

## Exclusions à la garantie

La couverture de garantie décrite dans les présentes exclut tous les défauts ou dommages qui ne relèvent pas de la faute directe de BSH, y compris, sans s'y limiter, l'un ou plusieurs des suivants :

- Utilisation du produit autre qu'un usage normal, habituel et de la façon destinée (incluant, sans s'y limiter, toute forme d'utilisation commerciale, d'utilisation ou de rangement d'un produit pour l'intérieur à l'extérieur, utilisation du produit de concert avec un transporteur aérien ou marin)
- Mauvaise conduite, négligence, mauvaise utilisation, abus, accidents, fonctionnement inadéquat, mauvais entretien, installation inadéquate ou négligente, altération, manquement d'observer les instructions de

fonctionnement, mauvaise manipulation, service non autorisé (incluant réparation par le consommateur ou exploration du fonctionnement interne du produit).

- Ajustement, modification ou altération de toute sorte.
- Manquement à la conformité des normes applicables fédérales, provinciales, municipales ou électriques du pays, codes de plomberie et/ou de construction, réglementation ou lois, incluant le manquement d'installer le produit en stricte conformité avec les codes et réglementations de construction et d'incendie locaux.
- Usure ordinaire, déversements d'aliments, liquide, accumulation de graisse ou autres substances accumulées dans, sur ou autour du produit.
- Toute force ou tout facteur externe, élémentaire et/ou environnemental, incluant sans limitation, pluie, vent, sable, inondation, incendie, coulée de boue, gel, humidité excessive et exposition prolongée à l'humidité, foudre, surtension, problème de structure autour de l'appareil et désastres naturels.

En aucun cas, BSH ne sera tenu responsable de dommages survenus à la propriété, incluant les armoires, planchers, plafonds et autres objets ou structures autour du produit. Également exclus de la garantie, égratignures, encoches, enfoncement et dommages esthétiques sur les surfaces externes ou les pièces exposées ; produit sur lequel le numéro de série a été modifié, altéré, effacé, enlevé ; appel de service pour enseigner le fonctionnement du produit ou les visites où il n'y a aucun problème avec le produit; correction de problèmes d'installation (le consommateur est seul responsable pour toute structure et tout réglage du produit, incluant l'électricité, la plomberie et autres connexions nécessaires, pour un plancher/fondation appropriée, et pour toute modification incluant, sans limitation, armoire, mur, plancher, tablette, etc.) et la remise de disjoncteurs ou le remplacement de fusible.

DANS LA MESURE AUTORISÉE PAR LOI, CETTE GARANTIE SPÉCIFIQUE LES SEULS RECOURS DONT VOUS DISPOSEZ À L'ÉGARD DU PRODUIT, QUE LA RÉCLAMATION SOIT FONDÉE SUR UN CONTRAT OU DÉLIT (Y COMPRIS RESPONSABILITÉ ABSOLUE OU NÉGLIGENCE) OU AUTRE. CETTE GARANTIE REMPLACE TOUTES LES AUTRES GARANTIES, EXPRESSES OU IMPLICITES. TOUTES GARANTIES IMPLICITES AUX TERMES DE LA LOI, INCLUANT LES GARANTIES DE QUALITÉ MARCHANDE OU D'APTITUDE À UN USAGE PARTICULIER, OU AUTRES, SONT LIMITÉES DANS LE TEMPS À LA DURÉE DE CETTE GARANTIE LIMITÉE. LE FABRICANT NE SERA EN AUCUN CAS RESPONSABLE DE DOMMAGES CONSÉCUTIFS, SPÉCIAUX, ACCESSOIRES, INDIRECTS OU DE "PERTES D'AFFAIRES" ET/OU DE DOMMAGES PUNITIFS DE PERTES OU DE DÉPENSES, Y COMPRIS SANS S'Y LIMITER, ABSENCE DU TRAVAIL, FRAIS D'HÔTEL ET/OU FRAIS DE RESTAURANT, FRAIS DE REMODELAGE EN EXCÉDENT DES DOMMAGES DIRECTS QUI SONT DÉFINITIVEMENT CAUSÉS EXCLUSIVEMENT PAR BSH, OU AUTRE. CERTAINS ÉTATS N'AUTORISENT PAS L'EXCLUSION OU LA LIMITATION DE DOMMAGES ACCESSOIRES OU CONSÉCUTIFS, ET CERTAINS ÉTATS N'AUTORISENT PAS LA LIMITATION DE LA DURÉE DES GARANTIES IMPLICITES, DONC LES LIMITES CI-DESSUS POURRAIENT NE PAS S'APPLIQUER À VOUS. CETTE GARANTIE VOUS DONNE DES DROITS PRÉCIS RECONNUS PAR LA LOI ET VOUS POUVEZ ÉGALEMENT AVOIR D'AUTRES DROITS QUI VARIENT D'UN ÉTAT À L'AUTRE.

Aucune tentative de modifier, changer ou amender cette garantie ne peut être effective sans le consentement écrit autorisé par un officier de BSH.

**Nous nous réservons le droit d'apporter des modifications à ce produit ou manuel sans préavis.**

# Índice

<b>Seguridad . . . . .</b>	<b>1</b>	<b>Limpieza y mantenimiento. . . . .</b>	<b>33</b>
Antes de empezar.....	1	Limpiadores .....	33
<b>Cómo comenzar . . . . .</b>	<b>4</b>	Limpieza por vapor .....	34
Identificación de los controles.....	4	Eliminación del sarro.....	35
Accesorios e interior del horno .....	5	Limpieza de los racks .....	36
Uso y cuidado del tanque de agua .....	6	Cambio de focos .....	37
Programaciones básicas .....	7	<b>Servicio técnico . . . . .</b>	<b>38</b>
Grado de dureza del agua .....	7	Resolución de problemas .....	38
Limpieza con el modo Steam (Vapor) .....	8	Ubicación de la etiqueta de datos y del diagrama de cableado .....	39
Calibración automática .....	8	Información del servicio técnico .....	39
Programaciones predeterminadas.....	8	<b>Declaración de garantía. . . . .</b>	<b>40</b>
<b>Operación . . . . .</b>	<b>10</b>	<b>Atención al cliente, accesorios y piezas . . . . .</b>	<b>contraportada</b>
Modos de cocción.....	10		
Cómo operar el aparato.....	11		
Temporizador de cocina/horno .....	12		
Sonda para carne .....	13		
EasyCook® .....	15		
<b>Tablas y consejos de cocción .....</b>	<b>20</b>		
Recomendaciones de temperatura.....	20		

Este electrodomestico de THERMADOR® está hecho por  
BSH Home Appliances Corporation  
1901 Main Street, Suite 600  
Irvine, CA. 92614

## ¿Preguntas?

1-800-735-4328

[www.thermador.com](http://www.thermador.com)

**¡Esperamos oír de usted!**

# Seguridad



## INSTRUCCIONES DE SEGURIDAD IMPORTANTES LEA Y CONSERVE ESTAS INSTRUCCIONES

### PARA USO RESIDENCIAL ÚNICAMENTE

## Antes de empezar

**INSTALADOR:** Deje estas Instrucciones de instalación con esta unidad para el propietario.

**PROPIETARIO:** Conserve estas instrucciones para referencia futura.

### ADVERTENCIA:



#### RIESGO DE DESCARGA ELÉCTRICA

Desconecte la alimentación antes de la instalación o el servicio técnico. Antes de encender la alimentación, asegúrese de que todos los controles estén en la posición OFF (Apagado). No hacerlo puede producir la muerte o una descarga eléctrica.

### IMPORTANTE:

Los códigos locales varían. El instalador es responsable de asegurarse de que la instalación y la conexión a tierra cumplan con todos los códigos aplicables. Si no se siguen los códigos y las reglamentaciones locales, es posible que se anule la garantía.

Al utilizar aparatos de cocina, deben seguirse precauciones de seguridad básicas, entre las que se encuentran las siguientes:

Lea esta Guía de uso y cuidado detenidamente antes de utilizar su nuevo aparato para reducir el riesgo de incendio, descarga eléctrica o lesiones a personas.

Garantice una instalación y servicio técnico adecuados. Siga el *Manual de instalación* que se proporciona con este producto. Llame a un técnico calificado para que instale y conecte eléctricamente a tierra el aparato.

Haga que el instalador le muestre la ubicación del disyuntor. Márquela para recordarla más fácilmente.

**NO** repare ni reemplace ninguna pieza del aparato, a menos que se recomiende específicamente en este manual. Si necesita llevar a cabo cualquier otro tipo de servicio técnico, consulte a un técnico calificado.

## Seguridad para evitar incendios

No utilice papel de aluminio ni recubrimientos de protección para cubrir ninguna parte del aparato. El uso de un recubrimiento de papel de aluminio podría provocar un riesgo de descarga o incendio, o la obstrucción del flujo de aire de combustión y ventilación. El papel de aluminio es un excelente aislador del calor, y el calor quedará atrapado debajo de él. Esto afectará el rendimiento de cocción y puede dañar el acabado del horno.

Si los materiales que están dentro del horno se prenden fuego, mantenga la puerta cerrada. Apague el aparato y desconecte el circuito en la caja de disyuntores.

Utilice este aparato únicamente para el fin para el cual fue diseñado, según se describe en este manual. Por ejemplo, nunca utilice el aparato para calentar o calefaccionar la habitación. Nunca utilice el aparato para almacenar objetos.

Mantenga los conductos de ventilación del horno libres de obstrucciones.

Siempre tenga un detector de humo en funcionamiento cerca de la cocina.

Nunca deben utilizarse prendas holgadas ni sueltas mientras utiliza el aparato.

En caso de que su ropa o cabello se prendan fuego, arrójese al piso y ruede de inmediato para extinguir las llamas.

Sofoque las llamas provocadas por alimentos que se prenden fuego, que no sean incendios ocasionados por grasa, con bicarbonato de sodio. Nunca use agua en incendios ocasionados al cocinar.

Tenga a mano un extinguidor de incendio adecuado en un área fácilmente visible y accesible cerca del horno.



# INSTRUCCIONES DE SEGURIDAD IMPORTANTES

## LEA Y CONSERVE ESTAS INSTRUCCIONES

### Prevención de quemaduras

Los agarradores húmedos o mojados sobre las superficies calientes pueden ocasionar quemaduras por vapor. No deje que los agarradores entren en contacto con los elementos de calentamiento que estén calientes. No use toallas ni otros paños gruesos.

Las superficies internas de un horno pueden calentarse lo suficiente como para ocasionar quemaduras. Durante el uso y después de este, no toque los elementos de calentamiento ni las superficies internas del horno, ni deje que su ropa, agarradores ni otros materiales inflamables entren en contacto con estos hasta que haya transcurrido el tiempo suficiente para que se enfríen. Otras superficies del aparato pueden calentarse lo suficiente como para ocasionar quemaduras. Estas superficies incluyen las aberturas de ventilación del horno, las superficies cercanas a estas aberturas y las puertas del horno.

Tenga cuidado al abrir el aparato. Parado a un lado, abra la puerta lenta y levemente para dejar escapar el aire caliente y/o vapor. Mantenga la cara lejos de la abertura y asegúrese de que no haya niños ni mascotas cerca de la unidad. Después de que se liberen el aire caliente y/o el vapor, continúe con la cocción. Mantenga las puertas cerradas, a menos que sea necesario para cocinar o limpiar. No deje las puertas abiertas sin vigilancia.

No caliente recipientes de alimentos sellados. La acumulación de presión puede hacer explotar el recipiente y causar lesiones.

Siempre coloque los racks del horno en la posición deseada mientras el horno está frío. Si necesita mover un rack mientras el horno está caliente, no deje que los agarradores toquen los elementos de calentamiento. No use toallas ni otros paños gruesos.

Nunca prepare alimentos con grandes cantidades de bebidas con graduación alcohólica elevada. El vapor con alcohol puede prenderse fuego dentro del horno. Use solamente pequeñas cantidades de bebidas con graduación alcohólica elevada y tenga cuidado al abrir la puerta del aparato.

### Seguridad de los niños

Cuando los niños tienen la edad adecuada para operar el aparato, es responsabilidad de los padres o tutores legales asegurarse de que reciban instrucciones sobre prácticas seguras de personas calificadas.

Los niños no deben quedarse solos ni sin vigilancia en un área donde haya aparatos en uso. Nunca debe permitirse que se sienten ni se paren sobre ninguna parte del aparato. Si se permite que los niños utilicen el aparato, deben ser supervisados de cerca.

### PRECAUCIÓN:

Puede salir vapor caliente al abrir la puerta del horno. Puede gotear agua caliente de la puerta. Mantenga alejados a los niños.

### ADVERTENCIA:

**NO** almacene artículos de interés para niños sobre el aparato ni en la parte trasera de este. Si los niños se suben al aparato para alcanzar estos artículos, podrían lesionarse gravemente.

### Cómo hornear y guisar en forma segura

La parte inferior del horno y el plato evaporador deben estar libres en todo momento. Coloque siempre los utensilios para horno en el rack o en la cacerola perforada para hornear.

Los utensilios para horno deben ser resistentes al calor y al vapor. Las cacerolas para hornear de silicona no son aptas para el uso con el horno de vapor.

Al utilizar el modo Steam (Vapor) con una cacerola perforada para hornear, siempre deslice una cacerola para hornear debajo de esta. La cacerola recogerá todos los jugos.

No almacene alimentos húmedos durante un período prolongado en el horno cerrado. Los alimentos pueden provocar la corrosión del interior del horno.

No llene en exceso tortas de fruta muy jugosas con fruta si usa la cacerola para hornear. El jugo de fruta que gotea de la cacerola para hornear deja manchas que no pueden eliminarse.

Cuando use papel de aluminio en el horno, no permita que toque el vidrio de la puerta. Esto podría causar manchas permanentes en el vidrio de la puerta.

No coloque nada sobre la puerta abierta del aparato. Esto podría dañar el aparato.



# INSTRUCCIONES DE SEGURIDAD IMPORTANTES

## LEA Y CONSERVE ESTAS INSTRUCCIONES

El uso de accesorios no recomendados por el proveedor del aparato puede ocasionar lesiones.

### ADVERTENCIA:

#### **Advertencias en virtud de la Proposición 65 del estado de California:**

Este producto contiene sustancias químicas que el estado de California sabe que provocan cáncer, defectos congénitos u otro daño reproductivo.

## Seguridad en la limpieza

No limpie el aparato cuando aún esté caliente. Algunos limpiadores producen emanaciones tóxicas cuando se aplican en una superficie caliente. Los paños o las esponjas mojados pueden ocasionar quemaduras por vapor.

No limpie el aparato de inmediato después de apagarlo. Aún está caliente el agua que se encuentra en el plato evaporador. Espere hasta que se haya enfriado el aparato.

La puerta no se cerrará en forma adecuada si el empaque de esta tiene mucha suciedad. Podría dañarse el frente de los equipamientos adyacentes. Mantenga siempre limpio el empaque de la puerta y reemplácelo si es necesario. Consulte la contraportada para obtener información sobre servicio técnico, piezas y accesorios.

La cavidad del horno está hecha de acero inoxidable de alta calidad. El cuidado inapropiado podría ocasionar la corrosión de la cavidad del horno. Siga las instrucciones de cuidado y limpieza provistas en el manual. Retire los residuos y los derrames de alimentos de la cavidad inmediatamente después de que se haya enfriado el aparato.

## Seguridad de los utensilios para horno

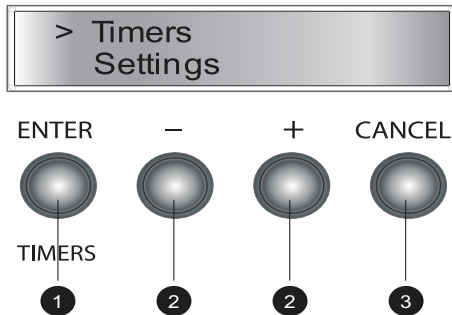
No coloque los alimentos directamente en la parte inferior del horno.

Siga las indicaciones del proveedor al utilizar bolsas para cocinar o saltar.

# Cómo comenzar

## Identificación de los controles

### Pantalla del display LCD y botones



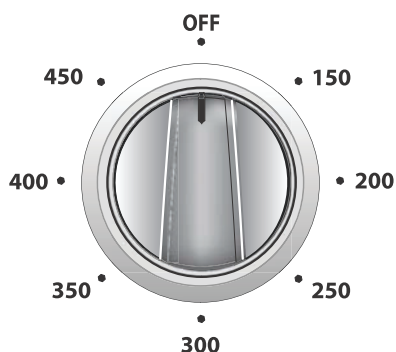
- 1 — **ENTER (Intro)** verifica una selección.
- 2 — **(-)** disminuye el tiempo y **(+)** aumenta el tiempo; se utilizan para desplazarse a través de las funciones del display del horno, y para aumentar o disminuir las temperaturas del horno en incrementos de 5°.
- 3 — **CANCEL (Cancelar)** despeja todas las operaciones del horno.

1. Presiones cualquier botón del display para mostrar las opciones.
  - Las opciones disponibles se muestran en la pantalla con una flecha “>” al lado de la función que puede seleccionarse.
2. Utilice los botones “+/-” para desplazarse a través de las opciones, y presione el botón “ENTER” (Intro) para seleccionar la opción deseada.

## Perillas de control

### Perilla de control de la temperatura

Utilice la perilla de control de la temperatura para programar la temperatura del horno de vapor de los 150 °F a los 450 °F (de los 66 °C a los 230 °C). La perilla se detendrá cada 25° (p. ej., 150°, 175°, 200°, 225°, etc.).



### Perilla del selector de modo

Utilizando la perilla del selector de modo, puede seleccionar diez funciones del horno.

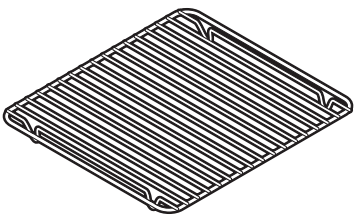
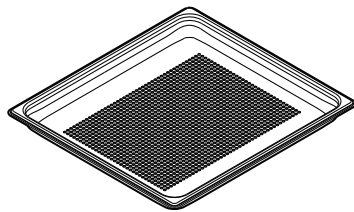
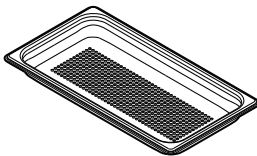
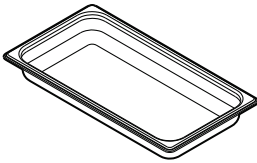
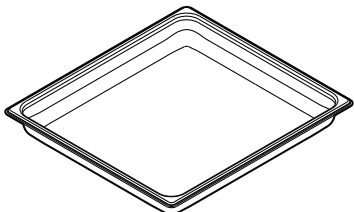


Programación	Función de cada programación
OFF (Apagado)	APAGA el horno.
STEAM (Vapor)	Guisa verduras, pescado y guarniciones; extrae los jugos.
STEAM/CONV (Vapor/Convección)	Combina los modos de horno de vapor y convección. Carne, soufflés y alimentos horneados.
REHEAT (Recalentar)	Recalienta gradualmente los alimentos cocidos en platos servidos y platos horneados.
DEFROST (Descongelar)	Descongela frutas, verduras, carnes y pescado para cocinar o servir.
KEEP WARM (Mantener caliente)	Mantiene los alimentos cocidos calientes a la temperatura ideal para servirlos.
DISH WARM (Calentar plato)	Calienta y mantiene calientes utensilios para horno, platos y bols aptos para horno.
SLOW COOK (Cocción lenta)	Saltea lentamente carnes de modo que permanezcan muy tiernas.
PROOF (Leudar)	Leuda (eleva) masa con levadura y masa agria.
TRUE CONV (Convección real)	Opera como un horno de convección, sin vapor. Uso para pasteles húmedos, pasteles esponjosos y carne estofada.
EASY COOK (Cocción fácil)	Configura una programación automática.

# Accesorios e interior del horno

## Accesorios del horno

Los siguientes accesorios de horno de vapor vienen con su horno de vapor:

<p><b>Rack de alambre</b> (CSRACKH) Uso para soporte durante el horneado. Coloque las carnes en el rack de alambre con la cacerola para hornear debajo e insértelas juntas en un nivel.</p>	
<p><b>Cacerola perforada para hornear, grande</b> (CS2XLPH) 1 5/8 pulg. de profundidad Ideal para guisar pescado o grandes cantidades de verduras, extraer jugo de frutos rojos y mucho más.</p>	
<p><b>Cacerola perforada para hornear, mediana</b> (CS1XLPH) 1 5/8 pulg. de profundidad Ideal para guisar pescado o verduras, extraer jugo de frutos rojos y mucho más.</p>	
<p><b>Cacerola para hornear, mediana</b> (CS1XLH) 1 5/8 pulg. de profundidad Úsela para cantidades más pequeñas, y para arroz y cereales.</p>	
<p><b>Cacerola para hornear, grande</b> (CS2LH) 1 5/8 pulg. de profundidad Ideal para hornear pasteles y recoger el líquido que gotea al guisar.</p>	

**Limpie bien los accesorios con agua jabonosa y un paño antes de usarlos por primera vez.**

**Nota:**

Es posible que las cacerolas para hornear se tuerzan durante el horneado como resultado de los significativos cambios de temperatura que pueden producirse, por ejemplo, si se colocan alimentos en una sola parte de la cacerola o si se coloca un alimento muy congelado (como una pizza) en la cacerola.

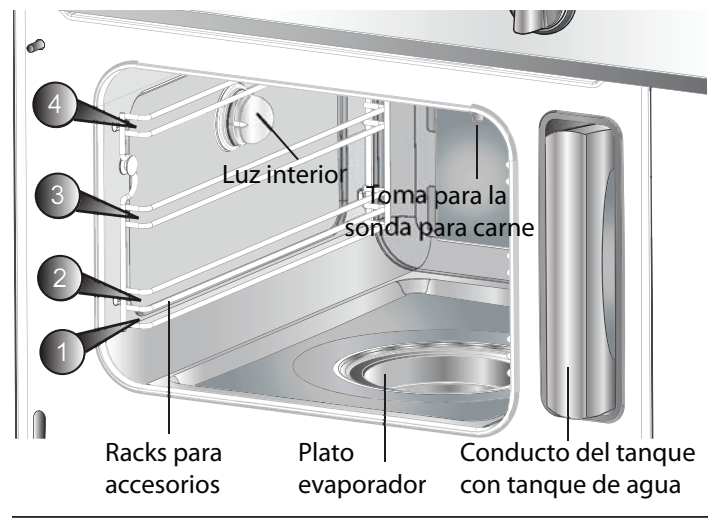
## Accesorios adicionales

Pueden comprarse los siguientes accesorios adicionales en tiendas minoristas de aparatos donde se vendan productos THERMADOR®:

Accesorio	Número de pedido
Cacerola perforada para hornear, grande, 1 5/8 pulg. de profundidad	CS2XLPH
Cacerola perforada para hornear, mediana, 1 5/8 pulg. de profundidad	CS1XLPH
Cacerola para hornear, grande, 1 5/8 pulg. de profundidad	CS2XLH
Cacerola para hornear, mediana, 1 5/8 pulg. de profundidad	CS1XLH
Cacerola para hornear, grande, 1 1/8 pulg. de profundidad	CS2LH
Rack de alambre	CSRACKH
Comprimidos antisarro	573828
Comprimidos/Detergente de limpieza	573829
Tiras de prueba del grado de dureza del agua	056317

## Cavidad del horno

El horno tiene cuatro niveles de racks. Los niveles de racks están numerados de abajo hacia arriba según se muestra en la figura que se encuentra a continuación.



Utilice únicamente accesorios que vengan con el aparato o que hayan sido comprados a través de Servicio de Atención al Cliente para usar en este horno de vapor. Estos accesorios están diseñados específicamente para su horno de vapor. Puede utilizar otros utensilios para horno adecuados para estofados, soufflés, pasteles redondos y platos similares colocándolos en el rack de alambre (hay sugerencias respecto de los utensilios de cocina adecuados en la sección "Tablas y consejos de cocción", que comienza en página 20).

# Uso y cuidado del tanque de agua

El tanque de agua se encuentra en el lado derecho del horno de vapor. Tiene una capacidad de 1.4 cuartos de galón (1.3 l) de agua. El tanque de agua **no es apto para lavavajillas**.

## Advertencias del sensor de nivel de agua:

El tanque de agua debe tener la suficiente cantidad de agua para generar el vapor necesario para el modo de cocción y el tiempo que esté utilizando. A medida que el agua se convierte en vapor, el nivel del tanque disminuirá durante la cocción. El horno monitorea tres niveles de agua distintos:

N.º de nivel	Advertencia de la pantalla del display cuando el horno está ENCENDIDO	Estado del nivel de agua	¿Qué sucederá?
1	Se muestra "Water Level Is Low" (Nivel de agua bajo) hasta que se apague el horno.	El tanque no está lleno pero no está vacío (>1/3 lleno)	<ul style="list-style-type: none"><li>El modo de calentamiento pueden comenzar o continuar si seleccionar ENTER (Intro) cuando el display muestra que el nivel de agua está bajo.</li></ul>
2	Se muestra "Refill Water Tank" (Recargar el tanque de agua) hasta que se apague el horno.	Tanque vacío (<1/3 lleno)	<ul style="list-style-type: none"><li>El modo de calentamiento se detiene hasta que se recargue el tanque de agua o se APAGUE el horno.</li><li>El elemento de calentamiento permanece apagado hasta que se recargue y vuelva a colocar el tanque en la ranura.</li><li>En este punto, se reanuda la cocción al vapor. El display muestra el precalentamiento (de ser necesario), después de la cual el temporizador del horno reanuda la cuenta regresiva.</li></ul>
3	Ninguno	Tanque lleno, puede ejecutarse cualquier modo de horno	<ul style="list-style-type: none"><li>El horno puede encenderse o continuará funcionando.</li></ul>

## Notas importantes sobre el agua que se utiliza para llenar el tanque:

- Humedezca el sello que se encuentra en la tapa protectora del tanque con algo de agua antes de utilizarlo por primera vez.
- Utilice únicamente agua corriente fresca o, de ser necesario, agua no carbonatada sin aditivos comprada para llenar el tanque de agua.



### PRECAUCIÓN:

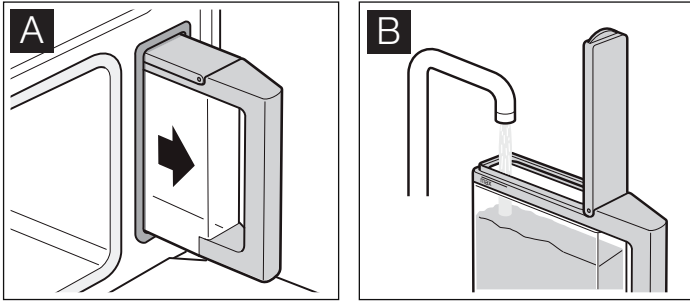
¡El uso de líquidos inadecuados puede dañar el aparato!  
No llene el tanque de agua con agua destilada ni con ningún otro líquido.

- Si su agua tiene un grado muy duro (10 granos por galón o más), recomendamos usar agua ablandada.
- Si su agua corriente tiene un alto contenido de cloro (>40 mg/l), use agua no carbonatada sin aditivos comprada con una baja cantidad de cloro.

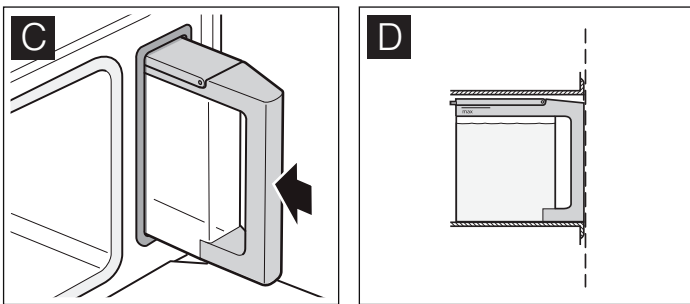
Verifique la dureza del agua mediante las tiras de prueba provistas o consulte a su compañía proveedora de agua.

### Llene el tanque de agua antes de cada uso:

1. Abra la puerta y retire el tanque de agua (imagen A).
2. Humedezca el sello de la tapa protectora del tanque con un poco de agua antes de usarlo por primera vez.
3. Llene el tanque de agua con agua fría hasta la línea "MAX" (Máx.) (imagen B).
  - El horno de vapor puede operar al 100 % de vapor durante 150 minutos sin necesidad de recargar el tanque de agua.



4. Cierre la tapa protectora del tanque hasta que calce bien a presión.
5. Inserte el tanque de agua por completo (imagen C).
6. El tanque debe estar alineado con el embudo del tanque (imagen D).



### Vacíe el tanque de agua después de cada uso.

1. Mantenga el tanque de agua nivelado mientras lo saca lentamente del aparato.
2. Vierta el agua.
3. Seque bien el sello de la tapa protectora del tanque y la ranura en la que se coloca el tanque dentro del aparato. La humedad prolongada podría provocar un olor a moho en el tanque.
4. Con la esponja proporcionada con su aparato (o una esponja o un paño suaves comparables), limpie el horno y la puerta del horno. Retire toda el agua restante del plato evaporador en la parte inferior del horno.

## Programaciones básicas

### Antes de usar el horno por primera vez

- El aparato debe ser instalado en forma adecuada por un técnico calificado antes del uso.
- Retire todo el material de embalaje del interior y exterior del horno.
- Mientras está frío, límpielo con un paño húmedo limpio y séquelo.
- Puede haber algo de olor durante los primeros usos; esto es normal y desaparecerá.
- Los resultados de cocción óptimos dependen de que se utilicen los utensilios de cocina correctos.
- Lea y comprenda todas las precauciones de seguridad y la información de la Guía de uso y cuidado.
- Ejecute las siguientes secciones antes de operar el horno:

### Cómo programar el nivel del grado de dureza del agua

Verifique la dureza del agua mediante las tiras de prueba provistas o consulte a su compañía proveedora de agua.

1. Con el horno **APAGADO**, presione cualquier botón para que se muestren dos opciones en la pantalla del display, **TIMERS** (Temporizadores) y **SETTINGS** (Programaciones).
2. Utilizando los botones "+/-", seleccione **SETTINGS** (Programaciones) y presione "**ENTER**" (Intro).
3. Desplácese a través de **SETTINGS** (Programaciones) hasta que la flecha (>) señale **WATER HARDNESS** (Grado de dureza del agua). Presione "**ENTER**" (Intro).
4. Utilizando los botones "+/-", desplácese a través de la escala de números y presione "**ENTER**" (Intro) cuando la flecha señale el nivel de dureza de su agua. La programación de fábrica es 3.
  - 1 = ABLANDADA (0 – 17 mg/l)
  - 2 = BLANDA (18 – 60 mg/l)
  - 3 = MEDIA (61 – 120 mg/l)
  - 4 = DURA (121 – 180 mg/l)
  - 5 = MUY DURA (más 180 mg/l)

Salvo que utilice agua ablandada, necesitará eliminar el sarro de su horno de vapor a intervalos regulares (consulte "Eliminación del sarro" en la sección "Cuidado y mantenimiento" en página 33).

Si se muda o si cambia su fuente de agua, necesita restablecer el valor del grado de dureza del agua.

## Limpie el horno utilizando el modo STEAM (Vapor)

Antes de utilizar el horno de vapor por primera vez, caliéntelo una vez que esté vacío:

1. Llene y deslice el tanque de agua (consulte las instrucciones que se encuentran en “*Tanque de agua*”, página 7).
2. Retire todos los accesorios del horno (accesorios de cocción, rack de alambre).
3. Cierre la puerta del horno.
4. Coloque la perilla del selector de modo en **STEAM** (Vapor). Presione **ENTER** (Intro).
5. Seleccione **ENTER** (Intro) nuevamente para acceder al menú de programaciones.
6. Utilizando los botones “+/-”, seleccione **TIMERS** (Temporizadores).
7. Utilizando los botones “+/-”, seleccione **OVEN TIMER** (Temporizador del horno). Presione **ENTER** (Intro).
8. Programe el tiempo de cocción a 20 minutos (00:20, en formato H/MIN). Presione **ENTER** (Intro).
  - El horno calentará durante 20 minutos y se detendrá. La cuenta regresiva comenzará después de que el horno haya finalizado el precalentamiento.

Esta limpieza inicial también calibrará el horno de vapor a la presión del aire donde se encuentre. La calibración produce más vapor que el uso normal.

## Calibración automática

El punto de ebullición depende de la presión del aire. Mientras mayor sea la altura, menores serán la presión del aire y el punto de ebullición. El horno de vapor se calibra automáticamente para adecuarse a las condiciones de presión de su área la primera vez que se utiliza vapor a 212 °F (100 °C).

### Cómo calibrar el horno de vapor

1. Retire todos los accesorios del horno (accesorios de cocción, rack de alambre). El horno debe estar vacío y frío.
2. Coloque la perilla del selector de modo en **STEAM** (Vapor). Se producirá más vapor que lo normal durante la calibración.

La calibración tarda alrededor de 15 minutos. No interrumpa el ciclo de calibración. No abra la puerta del horno durante la calibración. Si se interrumpe el proceso de calibración al abrirse la puerta o apagarse el aparato, la función de vapor no funcionará en forma adecuada.

Vuelva a calibrar el aparato manualmente si se muda para asegurarse de que el horno de vapor se adecúe en forma automática a su nueva ubicación. Consulte “*Operación*” para restablecer todos los parámetros a la programación de fábrica.

No es necesario recalibrar el aparato después de una falla de alimentación eléctrica.

## Programaciones predeterminadas del horno de vapor

Con el horno de vapor **APAGADO**, puede acceder a diversas funciones del horno. Muchas de estas funciones deben ajustarse cuando se instala el horno por primera vez o después de mudarse a una nueva ubicación.

Utilizando los botones “+/-”, seleccione **SETTINGS** (Programaciones) y presione **ENTER** (Intro) en las opciones iniciales en la pantalla del display. Se mostrará toda la lista de programaciones:

LANGUAGE (Idioma)  
WATER HARDNESS (Grado de dureza del agua)  
CALIBRATE OVEN (Calibrar horno)  
TEMPERATURE UNITS (Unidades de temperatura)  
WEIGHT UNITS (Unidades de peso)  
DESCALE (Eliminar sarro)  
STEAM CLEAN (Limpieza por vapor)  
FACTORY RESET (Restablecimiento a programaciones de fábrica)  
ALARM DURATION (Duración de la alarma)

Utilice los botones “+/-” para desplazarse a través de la lista de programaciones; presione **ENTER** (Intro) para la que desea ajustar.

**LANGUAGE (Idioma):** En lugar cambiar en forma manual las unidades de peso o temperatura, puede ir a LANGUAGE (Idioma) y seleccionar ENGLISH (Inglés) o FRENCH (Francés). Si selecciona ENGLISH (Inglés), las unidades de peso y temperatura se expresan en forma predeterminada en lb/°F. Si selecciona FRENCH (Francés), las unidades de peso y temperatura se expresan en forma predeterminada en kg/°C. El display cambiará a CUSTOM (Personalizado) si directamente cambia cualquiera de las unidades dirigiéndose a ellas en la lista de programaciones.

**WATER HARDNESS (Grado de dureza del agua):** Debe determinarse la dureza del agua corriente o embotellada (**NUNCA** agua destilada) que coloque en el tanque de agua e ingresarse con esta programación al instalar el aparato. Según lo explicado en *página 6*, puede utilizar tiras de prueba del grado de dureza del agua o comunicarse con su empresa proveedora de agua local para determinar la dureza de su agua corriente.

Ingrese a WATER HARDNESS (Grado de dureza del agua) y prográmelo a este valor utilizando los botones “+/-” para la escala de números. Si se muda o si cambia su fuente de agua, necesita restablecer el valor del grado de dureza del agua.

**CALIBRATE OVEN** (Calibrar horno): Esta programación restablece la calibración de temperatura a 210 °F (100 °C) la próxima vez que se utiliza el modo STEAM (Vapor). (Consulte también “*Calibración automática*” en la página 8).

**TEMPERATURE UNITS** (Unidades de temperatura): Si selecciona esta programación, puede anular los valores predeterminados de LANGUAGE (Idioma) y seleccionar manualmente grados Fahrenheit (°F) o Celsius (°C) para el display de temperatura. A continuación, se muestra el cálculo para la conversión entre temperaturas en Fahrenheit y Celsius (T = temperatura):

$$T \text{ °(Fahrenheit)} = T \text{ °(Celsius)} \times 9/5 + 32$$

**WEIGHT UNITS** (Unidades de peso): Si selecciona esta programación, puede anular los valores predeterminados de LANGUAGE (Idioma) y seleccionar manualmente libras (lb) o kilogramos (kg) para el ingreso del peso de los alimentos. A continuación, se muestra el cálculo para la conversión entre pesos en libras y kilogramos:

$$\text{libras} / 2.2 = \text{kilogramos}$$

$$\text{kilogramos} \times 2.2 = \text{libras}$$

**DESCALE** (Eliminar sarro): Se deberá eliminar el sarro de su horno de vapor a intervalos regulares para eliminar los depósitos de calcio y magnesio del agua calentada para formar vapor. Una vez que se haya programado el grado de dureza del agua, el display del horno de vapor le avisará en forma automática cuando se requiera eliminar el sarro.

**Nota:**

Si usa agua ablandada, no necesitará eliminar el sarro del horno de vapor.

En la sección “*Limpieza y mantenimiento*” de este manual, que comienza en la página 33, se proporcionan instrucciones detalladas para eliminar el sarro del horno de vapor. El horno no puede ser utilizado para ningún otro fin mientras se esté eliminando el sarro.

**STEAM CLEAN** (Limpieza por vapor): Puede utilizar vapor para disolver residuos y derrames de alimentos de modo que puedan limpiarse con facilidad. El ciclo STEAM CLEAN (Limpieza por vapor) toma entre 30 y 35 minutos. El horno no puede ser utilizado para ningún otro fin mientras se esté realizando la limpieza por vapor. En la sección “*Limpieza y mantenimiento*” de este manual, que comienza en página 33, se proporcionan instrucciones detalladas para la limpieza por vapor del horno.

**ALARM DURATION** (Duración de la alarma): Puede programar el período de duración para el zumbador después de una función de “END OF COOK TIMER” (Finalización del temporizador de cocción) o “END OF KITCHEN TIMER” (Finalización del temporizador de cocina) a una de las siguientes opciones:

Corta (10 segundos)

Media (2 minutos)

Prolongada (5 minutos)

**FACTORY RESET** (Restablecimiento a programaciones de fábrica): Esta función restablecerá todas las programaciones a estos valores predeterminados:

LANGUAGE (Idioma): inglés

TEMPERATURE UNITS (Unidades de temperatura): Fahrenheit

WEIGHT UNITS (Unidades de peso): Libras

CALIBRATION (Calibración): Encendida

WATER HARDNESS (Grado de dureza del agua): 3 – Media

**Operación automática del soplador de refrigeración**

El soplador de refrigeración se activa de inmediato para cualquiera de los modos del horno de vapor. Si se apagan los modos del horno de vapor que utilizan vapor (STEAM [Vapor], STEAM CONV [Vapor/Convección], REHEAT [Recalentar] o determinadas programaciones de EASY COOK [Cocción fácil]), el soplador de refrigeración permanece encendido durante 10 minutos independientemente de la temperatura del horno antes de apagarse. Si se apagan los modos de calentamiento sin vapor, el soplador de refrigeración se apaga cuando la temperatura del horno disminuye a menos de 230 °F (110 °C).

Si se abre la puerta durante un modo que utiliza la función de vapor, el ventilador de refrigeración se encenderá y apagará cíclicamente cinco o seis veces sucesivamente para purgar el exceso de vapor.

**Operación del plato evaporador**

STEAM (Vapor), STEAM CONV (Vapor/Convección), REHEAT (Recalentar) y determinadas programaciones de EASY COOK (Cocción fácil) tendrán un hervor intenso en el plato evaporador del horno de vapor mientras que los modos restantes no lo tendrán. Esto se debe a la necesidad de tener una programación de temperatura más alta para estos procesos. REHEAT (Recalentar) y PROOF (Leudar) son procesos de vapor más suaves y requieren un calor más seco con menos contenido de humedad. SLOW COOK (Cocción lenta) y TRUE CONV (Convección real) no utilizan nada de humedad.

# Operación

## Modos de cocción

### Programación de temperatura para cada modo de cocción

Distintos modos tienen distintas temperaturas posibles mínimas y máximas. La siguiente tabla describe los límites en la programación de los rangos de temperatura para cada modo (excepto para Easy Cook® (Cocción fácil), que se describe en una sección posterior):

Modo de cocción	Mínima temp.	Máxima temp.	Notas sobre el uso de la perilla y los botones de control de temperatura
STEAM (Vapor)	95 °F (35 °C)	212 °F (100 °C)	Cuando la perilla de modo se coloca en STEAM (Vapor), el display LCD mostrará la temperatura predeterminada de 212°. La temperatura también puede ajustarse con los botones +/- o con la perilla del selector de temperatura. Si se utiliza la perilla del selector de temp., el display solo registra 175°, 200° y 212°. Si se utilizan los botones +/-, el display solo registra 175°, 180°, ... 200°, 205°, 212°.
STEAM/ CONV (Vapor/ Convección)	250 °F (121 °C)	450 °F (232 °C)	Si la selección de temperatura se encuentra por debajo de los 250 °F (121 °C) o por encima de los 450 °F (232 °C), el display mostrará el rango mínimo y máximo.
REHEAT (Recalentar)	210 °F (98 °C)	360 °F (182 °C)	Si la selección de temperatura se encuentra por debajo de los 210 °F (98 °C) o por encima de los 360 °F (182 °C), el display mostrará el rango mínimo y máximo.
DEFROST (Descongelar)	110 °F (43 °C) únicamente		No se puede usar la perilla ni los botones del selector.
KEEP WARM (Mantener caliente)	140 °F (60 °C) únicamente		No se puede usar la perilla ni los botones del selector.
DISH WARM (Calentar plato)	125 °F (51 °C) únicamente		No se puede usar la perilla ni los botones del selector.
SLOWCOOK (Cocción lenta)	140 °F (60 °C)	250 °F (121 °C)	Si la selección de temperatura se encuentra por debajo de los 140 °F (60 °C) o por encima de los 250 °F (121 °C), el display mostrará el rango mínimo y máximo.
PROOF (Leudar)	100 °F (37 °C) únicamente		No se puede usar la perilla ni los botones del selector.
TRUE CONV (Convección real)	150 °F (65 °C)	450 °F (232 °C)	TRUE CONV (Convección real) puede usar el rango completo de temperaturas del horno. Para obtener mejores resultados, reduzca la temperatura de la receta 25 °F. Coloque los alimentos en una cacerola baja, sin tapa.



### PRECAUCIÓN:

Tenga cuidado al abrir el aparato. Parado a un lado, abra la puerta lenta y levemente para dejar escapar el aire caliente y/o vapor. Mantenga la cara lejos de la abertura y asegúrese de que no haya niños ni mascotas cerca de la unidad. Después de que se liberen el aire caliente y/o el vapor, continúe con la cocción. Mantenga las puertas cerradas, a menos que sea necesario para cocinar o limpiar. No deje las puertas abiertas sin vigilancia.

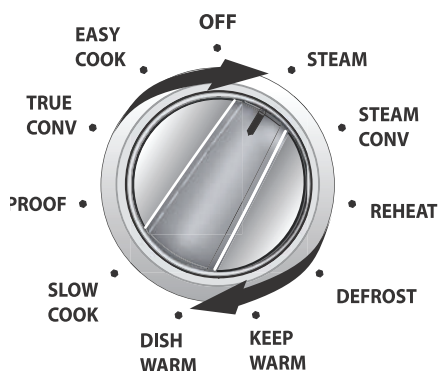
# Cómo operar el aparato

Con nueve de los diez modos disponibles en su horno de vapor, se requieren pasos similares. Usar *Easy Cook*<sup>®</sup> (Cocción fácil) es algo distinto y se describe por separado a partir de página 15.

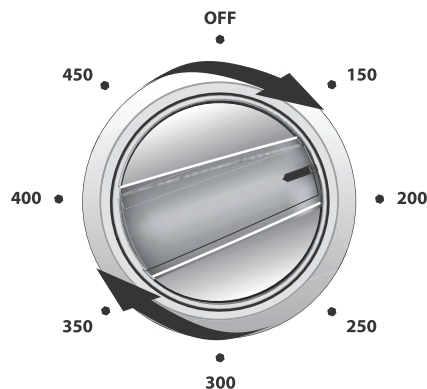
## Cómo encender el aparato

(el modo STEAM [Vapor] se utiliza como ejemplo)

1. Coloque los alimentos en el horno de vapor antes del precalentamiento, salvo que use los modos SLOW COOK (Cocción lenta) o TRUE CONV (Convección real). En los modos SLOW COOK (Cocción lenta) o TRUE CONV (Convección real), coloque los alimentos en el horno después de que se haya precalentado el horno de vapor.
  - Los alimentos deben estar en el horno durante el precalentamiento para los modos de vapor debido a que si se abre la puerta para colocar alimentos dentro después del ciclo de precalentamiento, el vapor saldrá de la cavidad; esto bajará la temperatura y es posible que le falte cocción a los alimentos.
2. Coloque la perilla del selector de modo en el modo de calentamiento deseado.

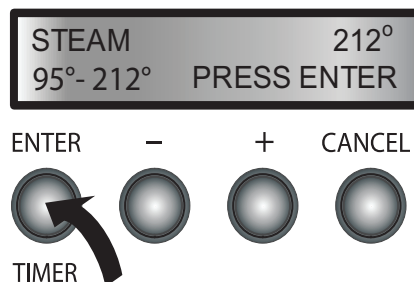


3. Si es posible controlar la temperatura en el modo que selecciona, coloque la perilla de control de temperatura en la temperatura deseada.

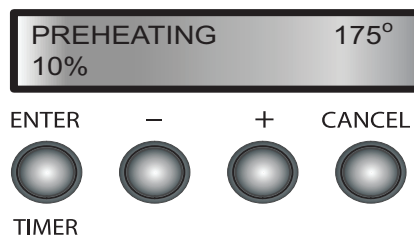


- El control de temperatura no es posible con DEFROST (Descongelar), PROOF (Leudar), KEEP WARM (Mantener caliente) y DISH WARM (Calentar plato), que tienen temperaturas preseleccionadas. Cuando se selecciona uno de estos modos, aparecerá la temperatura en el display.

4. Presione **ENTER** (Intro).



El horno comenzará el PREHEATING (Precalentamiento).



## Cómo cancelar el modo

1. Para cancelar un modo de cocción, presione el botón **CANCEL** (Cancelar).
  - Aparecerá un mensaje que le preguntará si desea cancelar el modo (p. ej., CANCEL STEAM [Cancelar vapor]).
2. Para interrumpir la operación, presione **ENTER** (Intro).
  - La pantalla del display mostrará el modo y la temperatura programada. Coloque la perilla del selector de modo en **OFF** (Apagado) para despejar la pantalla del display.
3. Para continuar cocinando, presione **CANCEL** (Cancelar) nuevamente.
  - Si el horno estaba precalentándose, se reanudará el calentamiento y se mostrará el porcentaje de precalentamiento en el display. Si el horno había sobrepasado el precalentamiento, entonces continuarán mostrándose “MODE and TEMPERATURE” (Modo y temperatura) y la cuenta regresiva.

## Después de la operación del horno

### IMPORTANTE:

- Limpie la cavidad del horno y el plato evaporador con la esponja proporcionada y seque bien con un paño suave después de cada uso.
- Retire los residuos y los derrames de alimentos del horno inmediatamente después de que se haya enfriado el aparato. Es muy difícil retirar los residuos quemados después de transcurrido un tiempo.
- Las sales son muy abrasivas y pueden causar manchas de óxido. La cavidad del horno de vapor puede oxidarse si no se cuida en forma adecuada.

# Temporizador de cocina/horno

## Temporizador de cocina

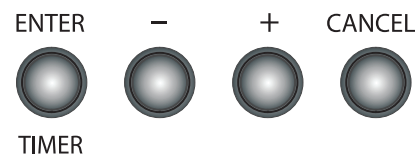
El temporizador de cocina puede programarse hasta *23 horas y 55 minutos*. El temporizador de cocina se puede usar independientemente de que el horno esté en funcionamiento o no.

## Temporizador de horno

El temporizador de cocina está diseñado para apagar el horno mecánicamente cuando finaliza el tiempo de cocción deseado. El tiempo máximo es de *23 horas y 55 minutos*.

## Para programar el temporizador de cocina u horno

1. Presione el botón **ENTER** (Intro) para acceder al menú.
2. Con los botones “+/-”, mueva la flecha (>) a **TIMERS** (Temporizadores) y presione **ENTER** (Intro).
3. Con los botones “+/-”, mueva la flecha (>) a **KITCHEN TIMER** (Temporizador de cocina) o **OVEN TIMER** (Temporizador de horno) y presione **ENTER** (Intro).
4. Usando los botones “+/-”, seleccione la cuenta regresiva deseada en incrementos de 1 minuto. Mantenga presionado el botón “+/-” para programar en incrementos de 5 minutos.
5. Presione **ENTER** (Intro) para comenzar la cuenta regresiva. La cuenta regresiva comenzará después de que el horno haya finalizado el precalentamiento.
  - Cuando el temporizador llegue a “00:00”, el display emitirá un bip simple repetido para indicar la finalización de la cuenta regresiva.



6. Presione **cualquier botón** para deshabilitar el bip.

Para tiempos más prolongados que una hora (1:00), se mostrará el tiempo restante como H/MIN (p. ej., 2:40 min). Desde menos de una hora hasta 10 minutos, se muestra como MIN/S (p. ej., 5:40 s). Los dos puntos (:) en el display de tiempo titilarán cada segundo cuando la cuenta regresiva sea de 10 minutos o más. Por debajo de los 10 minutos, el tiempo se mostrará en segundos (p. ej., 9:53, 8:45, etc.) sin titilar.

Cuando esté operando el temporizador, presionar **CANCEL** (Cancelar) mostrará un mensaje: “Cancel Timer” (Cancelar temporizador) en la primera línea, mientras que el tiempo aún se mostrará en la segunda línea. Presione **ENTER** (Intro) para interrumpir la cuenta regresiva y la operación del temporizador. Presione **CANCEL** (Cancelar) para reanudar la cuenta regresiva.

### Cómo cambiar el tiempo de cocción durante la operación

1. Presione **ENTER** (Intro).
  - El display mostrará CANCEL OVEN TIMER (Cancelar temporizador de horno).
2. Presione **ENTER** (Intro) para cancelar el modo.

3. Presione **ENTER** (Intro) nuevamente para regresar al menú principal.
4. Utilizando los botones “+/-”, desplácese hasta **OVEN TIMER** (Temporizador de horno).
5. Presione **ENTER** (Intro) para que se muestre (00:00) titilando.
6. Utilizando los botones “+/-”, ingrese el nuevo tiempo de cocción.
7. Presione **ENTER** (Intro) para reiniciar el temporizador de horno.

### Al finalizar la cocción

Cuando el temporizador de horno llega a 00:00, el display emitirá un bip repetido para indicar la finalización del tiempo de cocción. El bip continuará durante 10 segundos, 2 o 5 minutos o hasta que coloque la perilla del selector de modo o la perilla de control de temperatura en **OFF** (Apagado).

Al presionar los botones **CANCEL** (Cancelar), **+** o **-**, o **ENTER** (Intro), también se deshabilitará el bip incluso si el horno no se ha colocado en **OFF** (Apagado). Coloque la perilla en **OFF** (Apagado).

Después de cocinar con un modo que produce vapor, recuerde retirar y vaciar el tanque de agua, secar el sello de la tapa protectora del tanque y la ranura. Con la esponja proporcionada con su aparato (o una esponja o un paño suaves comparables), limpie el horno y la puerta del horno. Retire toda el agua restante del plato evaporador en la parte inferior del horno.

### Cómo cambiar la temperatura durante la operación

**CAMBIO DURANTE EL PRECALENTAMIENTO:** Si la nueva temperatura que selecciona es mayor que la actual, el horno reanudará el precalentamiento recalculando el porcentaje de precalentamiento para mostrar el progreso a la nueva temperatura.

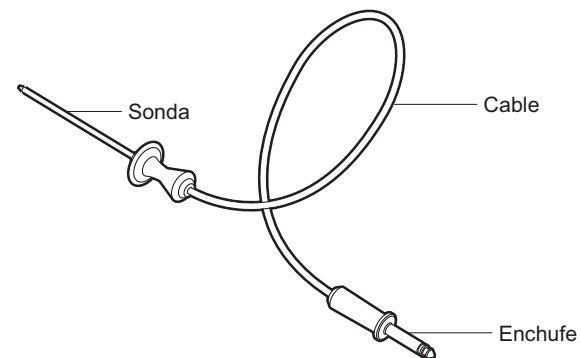
Si la nueva temperatura que selecciona es menor que la actual (o dentro del 95 % de esta), el horno comenzará directamente la cocción. Se mostrarán el “Oven Timer” (Temporizador de horno) y la cuenta regresiva restante.

**CAMBIO DESPUÉS DEL PRECALENTAMIENTO:** Si cambia la temperatura una vez que se haya alcanzado la temperatura de cocción, el horno aumentará o disminuirá la temperatura interior hasta alcanzar la nueva temperatura. El temporizador de horno continuará la cuenta regresiva sin ser afectado.

## Cómo usar la sonda para carne

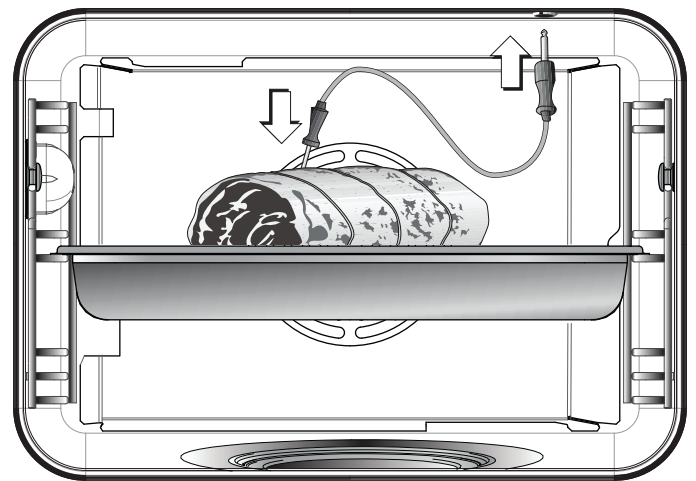
La sonda para carne le permite tener más control sobre cómo se cocinan sus alimentos deshabilitando automáticamente el modo de cocción especificado cuando se haya alcanzado la temperatura deseada de un plato, definida por el cocinero.

La sonda para carne solo puede utilizarse en los modos **STEAM** (Vapor), **STEAM CONVEC** (Vapor/Convección), **TRUE CONVEC** (Convección real) o **SLOW COOK** (Cocción fácil).



## Cómo programar la sonda para carne

1. Inserte el extremo del enchufe en la toma de corriente.
2. Inserte la sonda en la carne.



- Para evitar dañar la sonda, asegúrese de que la carne esté completamente descongelada antes de insertar la sonda.
- Inserte la sonda hasta que su punta quede apoyada en el centro de la parte más gruesa y con más carne de la carne.

- Asegúrese de que la sonda no esté en contacto con hueso, grasa ni cartílago.
  - En el caso de aves, no inserte la punta de la sonda para carne en el medio (hueco), sino entre el vientre y el muslo.
  - La sonda no debe estar en contacto con ninguna parte del plato de cocción ni con partes del horno, ya que esto afectará la precisión de los resultados.
3. Cierre la puerta del horno.
  4. Seleccione el MODO DE COCCIÓN y la TEMPERATURA DEL HORNO deseados utilizando las perillas que se encuentran en el panel de control. Presione **ENTER** (Intro).
    - Si la función de la sonda no está disponible para el modo seleccionado, el display le pedirá al usuario que retire la sonda y continúe sin la sonda.
    - La sonda no está disponible cuando se ha programado el temporizador de horno.
    - El rango para la temperatura de la sonda se ubica entre los 120 °F (50 °C) y los 200 °F (95 °C).
    - Si se retira o cancela la sonda mientras se está ejecutando un modo, este continuará sin la función de la sonda y funcionará indefinidamente hasta que el usuario lo cancele.
  5. Con los botones “+/-”, programe la TEMPERATURA DE LA SONDA. Presione **ENTER** (Intro).

Cuando la temperatura real de la sonda alcanza la temperatura programada deseada, finalizará el modo de cocción y el “final del temporizador de horno” emitirá un bip para indicar que se ha concluido el proceso de cocción. El horno se apaga automáticamente cuando se ha alcanzado la temperatura de la sonda para carne.

## Mínimas temperaturas de cocción internas recomendadas

Las mínimas temperaturas internas que los alimentos deben alcanzar para considerarse seguros para la ingesta, según lo determina el Servicio de Seguridad e Inspección de los Alimentos del Departamento de Agricultura de los EE. UU., son las siguientes:

<b>Carne de res, ternera, cordero, cerdo molidos frescos</b>	160 °F (72 °C)
<b>Carne de res, ternera, cordero salteados, bistecs, chuletas, venado, venado molido</b>	
A punto	145 °F (63 °C)
Término medio	160 °F (71 °C)
Bien cocido	170 °F (77 °C)
<b>Cerdo salteado, bistecs, chuletas frescos</b>	
Término medio	160 °F (72 °C)
Bien cocido	170 °F (77 °C)
<b>Jamón</b>	
Cocinar antes de comer	160 °F (72 °C)
Totalmente cocinado, para recalentar	140 °F (60 °C)
<b>Aves</b>	
Pollo, pavo molidos	165 °F (74 °C)
Pollo, pavo enteros	180 °F (82 °C)
Pechugas, salteados	170 °F (77 °C)
Muslos y alas	180 °F (82 °C)
Relleno (cocinado en forma independiente o en el ave)	165 °F (74 °C)
Platos con huevo, estofados	160 °F (72 °C)
Sobras	165 °F (74 °C)

## Cuidado y uso de la sonda

- Para evitar dañar su sonda, **NO** jale del cable al intentar retirarla de un plato.
- **NO** use pinzas ni otros instrumentos para sacar la sonda al retirarla ni para “martillar” la sonda en un plato con alimentos.
- **NO** lave la sonda en el lavavajillas; use agua tibia con jabón para limpiarla.
- Para evitar posibles quemaduras, espere hasta que el horno se haya enfriado antes de intentar retirar la sonda de la toma de corriente.
- **NO** almacene la sonda dentro del horno.

# Programación automática de Easy Cook® (Cocción fácil)

## Introducción a Easy Cook® (Cocción fácil)

La programación automática facilita la preparación de alimentos. El modo Easy Cook (Cocción fácil) de su horno de vapor programa automáticamente el horno para cocinar 27 alimentos distintos.

Los siguientes consejos lo ayudarán a obtener excelentes resultados con Easy Cook (Cocción fácil):

- Use únicamente **UN** nivel del horno con los programas de Easy Cook (Cocción fácil).
- Use los utensilios para horno recomendados. Todas las comidas se han probado con estos utensilios para horno, y es posible que varíen los resultados si se utilizan distintos utensilios para horno.
- Al cocinar alimentos en una cacerola perforada para hornear, inserte la cacerola para hornear en el nivel de rack 1 para recoger todos los jugos.
- Agregue mezclas de líquido y alimentos, tales como arroz y agua no más de 1½ pulg. (38 mm) hasta el lado de la cacerola para hornear.
- La programación automática requiere que sepa el peso de los alimentos. Para trozos individuales, como presas de pollo, siempre ingrese el peso del trozo más grande. El peso total debe ubicarse dentro del rango de peso preprogramado.
- Los resultados de cocción pueden variar en función de la cantidad y la calidad de los alimentos.

## Cómo programar los programas de Easy Cook® (Cocción fácil)

### Cómo seleccionar los alimentos

1. Coloque la perilla del selector de modo en **EASY COOK** (Cocción fácil).
  - El display de la pantalla mostrará una lista de grupos de alimentos con los programas de Easy Cook (Cocción fácil). Estos grupos son “VEGETABLES” (Verduras), “RICE” (Arroz), “POULTRY” (Aves), “BEEF” (Carne de res), “PORK ROAST” (Cerdo salteado), “LAMB” (Cordero), “FISH” (Pescado), “BAKED GOODS, DESSERTS” (Alimentos horneados, postres), “REHEAT” (Recalentar), “DEFROST” (Descongelar) y “EGGS” (Huevos).

2. Comenzando con la flecha de selección (>) en “VEGETABLES” (Verduras), use los botones “+/-” para desplazarse a través de la lista de opciones.
3. Seleccione el grupo de alimentos deseado y presione **ENTER** (Intro).
  - La pantalla mostrará los subgrupos de alimentos en el grupo que seleccionó.
4. Use los botones “+/-” para desplazarse hacia adelante y hacia atrás a través de las opciones de subgrupos en ese grupo de alimentos.
5. Seleccione el subgrupo que desea y presione **ENTER** (Intro).

### Cómo programar el peso

El display ahora mostrará “Enter Weight” (Ingresar peso) en la primera línea y un peso (“X.0” lb o kg) en la segunda línea. X.0 lb es el peso predeterminado para el alimento seleccionado. Por ejemplo, si selecciona “BEEF” (Carne de res) y luego “POT ROAST” (Carne para saltear), el peso predeterminado es de 2.2 lb; por ende, X = 2.2.

6. Use los botones “+/-” para ajustar la programación de peso.
  - Al presionar los botones “+/-”, se cambiará el peso mostrado 0.1 libras (o kilogramos, de acuerdo con las programaciones elegidas). Cada tipo de alimento tiene una programación de peso máxima y mínima para Easy Cook (Cocción fácil). Mantener presionado el botón “+/-” le permitirá desplazarse rápidamente a través de las opciones de peso.

### Cómo cambiar el tipo y peso del alimento ya seleccionados

En cada nivel, presionar **CANCEL** (Cancelar) lo llevará nuevamente al anterior menú hasta que llegue al menú principal de Easy Cook (Cocción fácil).

### Cómo comenzar a cocinar

En los programas de Easy Cook (Cocción fácil), la ubicación del rack, el tipo de cacerola para hornear y los tiempos de cocción han sido preseleccionados para el tipo y peso de alimento que ha seleccionado.

7. Presione **ENTER** (Intro) nuevamente.
  - El display mostrará el nivel de rack (niveles 1 – 3) y los utensilios para horno/accesorios específicos que deben utilizarse.
8. Coloque los alimentos en el horno de vapor según lo sugerido en la pantalla del display.

9. Presione **ENTER** (Intro) nuevamente.
  - El display mostrará “Oven Timer” (Temporizador de horno) en la primera línea y el tiempo de cocción automático para la selección particular de alimento en la segunda línea.
10. Presione **ENTER** (Intro) y el horno comenzará a precalentarse.
  - El porcentaje de precalentamiento se mostrará en la primera línea y la temperatura actual del horno en la segunda. Una vez que el horno haya alcanzado el 90 – 95 % de la temperatura preseleccionada, se activará la cuenta regresiva de cocción.

### **Durante la cocción**

Después del precalentamiento, el display indicará el programa Easy Cook® (Cocción fácil) en operación y el tiempo de cocción automático.

El temporizador de horno ahora comenzará la cuenta regresiva desde ese tiempo automático hasta 00:00 del mismo modo que todos los otros ciclos de cocción.

### **Al final de un programa de Easy Cook® (Cocción fácil)**

Cuando el temporizador de horno llegue a 00:00, finalizará el programa de Easy Cook (Cocción fácil). El display emitirá un bip para indicar la finalización del tiempo de cocción.

Al presionar el botón **CANCEL** (Cancelar), también se deshabilitará el zumbador incluso si el horno no se ha colocado en OFF (Apagado).

En función de la programación de la duración de la alarma, si pasan 10 segundos, 2 o 5 minutos sin ninguna otra medida para interrumpir el bip del temporizador ni para apagar el horno, se interrumpirá el bip y se pondrá en blanco el display.

### **Cómo cancelar el programa durante la operación**

Mientras está funcionando el modo Easy Cook (Cocción fácil), si presiona **CANCEL** (Cancelar), el display mostrará el mensaje “Cancel Easy Cook” (Cancelar Cocción fácil). Si el horno todavía se está precalentando, se mostrará la temperatura de precalentamiento en la segunda línea. Si el horno ha alcanzado la temperatura de cocción, se mostrará la cuenta regresiva en la segunda línea.

Para interrumpir la operación, presione **ENTER** (Intro). La pantalla se pondrá en blanco. Coloque la perilla del selector de modo en OFF (Apagado).

Para continuar cocinando, presione **CANCEL** (Cancelar) nuevamente. Si el horno estaba precalentándose, se reanudará el calentamiento y se mostrará el porcentaje de precalentamiento en el display. Si el horno había sobrepasado el precalentamiento, entonces continuarán mostrándose “Oven Timer” (Temporizador de horno) y la cuenta regresiva.

# Cuadros de programas de Easy Cook® (Cocción fácil)

Esta sección incluye todos los programas disponibles para la programación automática. Lea las instrucciones antes de usar un programa para preparar los alimentos.

Alimento	Peso prede-terminado	Peso mín.	Peso máx.	Accesorios y niveles de rack
----------	----------------------	-----------	-----------	------------------------------

## Vegetables (Verduras)

Esperese hasta después de la cocción para condimentar las verduras, incluidas las papas.

Flores de coliflor	1.1 lb (0.5 kg)	0.3 lb (0.2 kg)	4.1 lb (2 kg)	Cacerola perforada (nivel 3) + cacerola para hornear (nivel 1)
Flores de brócoli	1.1 lb (0.5 kg)	0.3 lb (0.2 kg)	4.1 lb (2 kg)	Cacerola perforada (nivel 3) + cacerola para hornear (nivel 1)
Frijoles verdes	1.1 lb (0.5 kg)	0.3 lb (0.2 kg)	4.1 lb (2 kg)	Cacerola perforada (nivel 3) + cacerola para hornear (nivel 1)
Espárragos verdes (de igual tamaño)	1.1 lb (0.5 kg)	0.3 lb (0.2 kg)	4.1 lb (2 kg)	Cacerola perforada (nivel 3) + cacerola para hornear (nivel 1)
Verduras mezcladas cocidas al vapor	1.1 lb (0.5 kg)	0.3 lb (0.2 kg)	4.1 lb (2 kg)	Cacerola perforada (nivel 3) + cacerola para hornear (nivel 1)
Papas peladas	1.1 lb (0.5 kg)	0.3 lb (0.2 kg)	4.1 lb (2 kg)	Cacerola perforada (nivel 3) + cacerola para hornear (nivel 1)
Papas sin pelar	1.1 lb (0.5 kg)	0.3 lb (0.2 kg)	4.1 lb (2 kg)	Cacerola perforada (nivel 3) + cacerola para hornear (nivel 1)

## Rice (Arroz)

Pese los alimentos que se cocinarán y agregue la cantidad correcta de agua: Arroz 1:1.5, Cuscús 1:1  
Revuelva el cereal o el grano después de la cocción para ayudar a absorber rápidamente el agua restante.

**Para preparar risotto**, agregue agua al risotto a una proporción de 1:2. Ingrese el peso total, incluida el agua. Una taza de risotto y 2 tazas de agua equivalen, aproximadamente, a 1.5 lb (0.68 kg). Aparecerá el mensaje “stir” (revolver), después de, aproximadamente, 15 minutos. Revuelva el risotto y continúe cocinando.

Grano largo				Cacerola para hornear (nivel 2)
Basmati				Cacerola para hornear (nivel 2)
Arroz integral				Cacerola para hornear (nivel 2)
Cuscús				Cacerola para hornear (nivel 2)
Arroz Arborio para risotto	2.2 lb (1 kg)	1.0 lb (0.5 kg)	4.2 lb (2 kg)	Cacerola para hornear (nivel 2)

Alimento	Peso prede-terminado	Peso mín.	Peso máx.	Accesorios y niveles de rack
<b>Aves</b>				
Pese presas individuales de pollo. Ingrese el peso de la presa más pesada. <b>NO</b> coloque presas de pollo una arriba de la otra en el utensilio para horno. Puede marinar las presas de pollo antes de cocinarlas.				
Pollo entero fresco	2.2 lb (1 kg)	1.6 lb (0.7 kg)	4.6 lb (2.1 kg)	Rack de alambre + cacerola para hornear (nivel 2)
Trozos de pollo fresco	0.2 lb (0.1 kg)	0.1 lb (0.04 kg)	0.8 lb (0.36 kg)	Rack de alambre + cacerola para hornear (nivel 2)
<b>Pork Roast (Cerdo salteado)</b>				
Corte el cuero que va desde el centro hacia afuera antes de cocinar. La paleta es el mejor corte para una carne salteada con costra.				
Pork Roast (Cerdo salteado)	2.2 lb (1 kg)	1.8 lb (0.8 kg)	4.2 lb (2 kg)	Rack de alambre + cacerola para hornear (nivel 2)
<b>Carne de res</b>				
Se recomienda un corte de carne grueso para la carne de res salteada.				
Carne para saltear	2.2 lb (1 kg)	2.2 lb (1 kg)	3.3 lb (1.5 kg)	Cacerola para hornear (nivel 2)
Solomillo, término medio, cocción lenta (dore antes de cocinar)	2.2 lb (1 kg)	2.2 lb (1 kg)	4.2 lb (2 kg)	Cacerola para hornear (nivel 2)
<b>Cordero (pata de cordero, con hueso)</b>				
Pata, bien cocida	2.2 lb (1 kg)	2.2 lb (1 kg)	4.2 lb (2 kg)	Rack de alambre + cacerola para hornear (nivel 2)
Pata, término medio	2.2 lb (1 kg)	2.2 lb (1 kg)	4.2 lb (2 kg)	Cacerola para hornear (nivel 2)
<b>Fish (Pescado)</b>				
Engrase la cacerola perforada para hornear para preparar el pescado. <b>NO</b> coloque pescado entero, filetes de pescado o bastoncitos de pescado uno arriba del otro. Ingrese el peso del trozo de pescado más pesado y seleccione los trozos que pesan aproximadamente lo mismo.				
Pescado entero fresco	1.3 lb (0.6 kg)	0.7 lb (0.3 kg)	4.1 lb (2 kg)	Cacerola perforada (nivel 3) + cacerola para hornear (nivel 1)
Filete de pescado fresco	0.4 lb (0.2 kg)	0.2 lb (0.1 kg)	4.0 lb (2 kg)	Cacerola perforada (nivel 3) + cacerola para hornear (nivel 1)
Filete de pescado congelado	0.5 lb (0.2 kg)	0.2 lb (0.1 kg)	4.0 lb (2 kg)	Cacerola perforada (nivel 3) + cacerola para hornear (nivel 1)
Ostras y almejas	2.2 lb (1 kg)	1.2 lb (0.5 kg)	5.2 lb (2.5 kg)	Cacerola perforada (nivel 3) + cacerola para hornear (nivel 1)
<b>Baked Goods, Desserts (Alimentos horneados, postres)</b>				
Compota de frutas	1.1 lb (0.5 kg)	0.3 lb (0.14 kg)	3.1 lb (1.4 kg)	Cacerola para hornear (nivel 2)
Pudín de arroz	0.4 lb (0.2 kg)	0.1 lb (0.5 kg)	1.5 lb (0.7 kg)	Cacerola para hornear (nivel 2)

Alimento	Peso prede-terminado	Peso mín.	Peso máx.	Accesorios y niveles de rack
<b>Breads (Panes)</b>				
<p>Use papel pergamino sobre la cacerola para hornear al hornear pan y panecillos. Los programas de Easy Cook® (Cocción fácil) son únicamente para hogazas sin forma. No se recomienda hornear pan en un molde para hogaza. La masa no debe estar demasiado blanda. Antes de hornear, utilice un cuchillo afilado para hacer varios tajos de alrededor de 0.4 pulg. (1 cm) de profundidad en la masa del pan. Deje que la masa leude antes de hornear. El programa de Easy Cook (Cocción fácil) es únicamente para hornear. Los panecillos frescos deben tener el mismo peso. Ingrese el peso de cada panecillo.</p>				
Hogaza trenzada	2.2 lb (1 kg)	1.0 lb (0.5 kg)	4.2 lb (2 kg)	Cacerola para hornear (nivel 2)
Pan multigrano	2.2 lb (1 kg)	1.0 lb (0.5 kg)	4.2 lb (2 kg)	Cacerola para hornear (nivel 2)
Pan multigrano, leudar y hornear	2.2 lb (1 kg)	1.0 lb (0.5 kg)	4.2 lb (2 kg)	Cacerola para hornear (nivel 2)
Pan de centeno	2.2 lb (1 kg)	1.4 lb (0.6 kg)	4.2 lb (2 kg)	Cacerola para hornear (nivel 2)
Pan de centeno, leudar y hornear	2.2 lb (1 kg)	1.4 lb (0.6 kg)	4.2 lb (2 kg)	Cacerola para hornear (nivel 2)
Pan blanco	2.2 lb (1 kg)	1.0 lb (0.5 kg)	4.2 lb (2 kg)	Cacerola para hornear (nivel 2)
Pan blanco, leudar y hornear	2.2 lb (1 kg)	1.0 lb (0.5 kg)	4.2 lb (2 kg)	Cacerola para hornear (nivel 2)
Panecillos frescos	0.1 lb (0.05 kg)	0.1 lb (0.05 kg)	0.6 lb (0.3 kg)	Cacerola para hornear (nivel 2)
Panecillos congelados	0.1 lb (0.05 kg)	0.1 lb (0.05 kg)	0.6 lb (0.3 kg)	Cacerola para hornear (nivel 2)
<b>Reheat (Recalentar)</b>				
Pizza, masa fina	0.6 lb	0.2 lb (0.1 kg)	1.5 lb (0.7 kg)	Rack de alambre + cacerola perforada (nivel 2)
Pizza, masa gruesa	0.6 lb	0.2 lb (0.1 kg)	1.5 lb (0.7 kg)	Rack de alambre + cacerola perforada (nivel 2)
<b>Defrost (Descongelar)</b>				
Pollo, presas, con hueso	2.2 lb (1 kg)	0.6 lb (0.3 kg)	3.2 lb (1.5 kg)	Cacerola perforada (nivel 3) + cacerola para hornear (nivel 1)
Carne	2.2 lb (1 kg)	1.0 lb (0.5 kg)	3.2 lb (1.5 kg)	Cacerola perforada (nivel 3) + cacerola para hornear (nivel 1)
Frutos rojos	1.1 lb (0.5 kg)	0.3 lb (0.13 kg)	2.1 lb (1.0 kg)	Cacerola perforada (nivel 3) + cacerola para hornear (nivel 1)
<b>Eggs (Huevos)</b>				
Huevos cocidos blandos	0.0 lb (0.0 kg)	0.0 lb (0.0 kg)	2.0 lb (0.9 kg)	Cacerola perforada (nivel 3) + cacerola para hornear (nivel 1)
Huevos cocidos duros	0.0 lb (0.0 kg)	0.0 lb (0.0 kg)	4.0 lb (2 kg)	Cacerola perforada (nivel 3) + cacerola para hornear (nivel 1)

# Tablas y consejos de cocción

## Recomendaciones de programación de temperatura

Estas tablas contienen una selección de platos que pueden prepararse con facilidad en el horno de vapor y convección. Puede encontrar información sobre qué modo del horno, qué accesorios y qué tiempo de cocción son los ideales para su plato. Si no se especifica lo contrario, esta información se aplica a los platos colocados en un aparato frío.

### Vegetables (Verduras)

Coloque las verduras en la cacerola perforada para hornear y coloque la cacerola en el nivel de rack 3. Coloque la cacerola para hornear debajo de esta en el nivel de rack 1. La cacerola para hornear recogerá todos los jugos.

Alimento	Tamaño	Accesorios	Modo del horno	Temperatura	Tiempo de cocción
Alcachofas	Entero	Cacerola perforada + cacerola para hornear	Steam (Vapor)	212 °F (100 °C)	30 – 35 min
Espárragos	Entero	Cacerola perforada + cacerola para hornear	Steam (Vapor)	212 °F (100 °C)	10 – 15 min
Remolachas	Entero	Cacerola perforada + cacerola para hornear	Steam (Vapor)	212 °F (100 °C)	40 – 50 min
Brócoli	Flores	Cacerola perforada + cacerola para hornear	Steam (Vapor)	212 °F (100 °C)	8 – 10 min
Colecitas de Bruselas	Flores	Cacerola perforada + cacerola para hornear	Steam (Vapor)	212 °F (100 °C)	20 – 30 min
Repollo	Cortado en tiras finas	Cacerola perforada + cacerola para hornear	Steam (Vapor)	212 °F (100 °C)	25 – 35 min
Repollo, rojo	Cortado en tiras finas	Cacerola perforada + cacerola para hornear	Steam (Vapor)	212 °F (100 °C)	30 – 35 min
Zanahorias	Rodajas	Cacerola perforada + cacerola para hornear	Steam (Vapor)	212 °F (100 °C)	10 – 20 min
Coliflor	Entero	Cacerola perforada + cacerola para hornear	Steam (Vapor)	212 °F (100 °C)	30 – 40 min
Coliflor	Flores	Cacerola perforada + cacerola para hornear	Steam (Vapor)	212 °F (100 °C)	10 – 15 min
Hinojo	Rodajas	Cacerola perforada + cacerola para hornear	Steam (Vapor)	212 °F (100 °C)	10 – 14 min
Espárragos verdes	Entero	Cacerola perforada + cacerola para hornear	Steam (Vapor)	212 °F (100 °C)	7 – 12 min
Frijoles verdes	–	Cacerola perforada + cacerola para hornear	Steam (Vapor)	212 °F (100 °C)	15 – 20 min
Colirrábano	Rodajas	Cacerola perforada + cacerola para hornear	Steam (Vapor)	212 °F (100 °C)	15 – 20 min
Puerros	Rodajas	Cacerola perforada + cacerola para hornear	Steam (Vapor)	212 °F (100 °C)	4 – 6 min
Chícharos	–	Cacerola perforada + cacerola para hornear	Steam (Vapor)	212 °F (100 °C)	5 – 10 min

\* Precaliente el aparato. Coloque los alimentos en el horno antes de precalentar, salvo que use los modos Slow Cook (Cocción lenta) o True Convection (Convección real).

Alimento	Tamaño	Accesorios	Modo del horno	Temperatura	Tiempo de cocción
Vaina comestible de guisante	–	Cacerola perforada + cacerola para hornear	Steam (Vapor)	212 °F (100 °C)	8 – 12 min
Espinaca	–	Cacerola perforada + cacerola para hornear	Steam (Vapor)	212 °F (100 °C)	2 – 3 min
Verduras rellenas (zucchini, berenjena, pimientos)	<b>NO</b> precocine las verduras	Cacerola para hornear en el nivel 2	Steam Convection (Vapor/ Convección)	320 – 360 °F (160 – 180 °C)	15 – 30 min
Acelga	Cortado en tiras finas	Cacerola perforada + cacerola para hornear	Steam (Vapor)	212 °F (100 °C)	8 – 10 min
Zucchini	Rodajas	Cacerola perforada + cacerola para hornear	Steam (Vapor)	212 °F (100 °C)	2 – 3 min

\* Precaliente el aparato. Coloque los alimentos en el horno antes de precalentar, salvo que use los modos Slow Cook (Cocción lenta) o True Convection (Convección real).

## Guarniciones, legumbres y arroz

Agregue la cantidad apropiada de agua o líquido. Ejemplo: 1:1.5 = cada 1/2 taza.

Alimento	Proporción/ Información	Accesorios	Modo del horno	Temperatura	Tiempo de cocción
Papas (sin pelar)	Tamaño mediano	Cacerola perforada (nivel 3) + cacerola para hornear (nivel 1)	Steam (Vapor)	212 °F (100 °C)	35 – 45 min
Papas (peladas)	Cortadas en cuartos	Cacerola perforada (nivel 3) + cacerola para hornear (nivel 1)	Steam (Vapor)	212 °F (100 °C)	20 – 25 min
Gratén de papa	–	Cacerola para hornear (nivel 2)	Steam (Vapor)	212 °F (100 °C)	35 – 45 min
Arroz integral	1:2	Cacerola para hornear	Steam (Vapor)	212 °F (100 °C)	30 – 40 min
Arroz de grano largo	1:2	Cacerola para hornear	Steam (Vapor)	212 °F (100 °C)	20 – 30 min
Arroz basmati	1:1,5	Cacerola para hornear	Steam (Vapor)	212 °F (100 °C)	20 – 30 min
Lentejas	1:2	Cacerola para hornear	Steam (Vapor)	212 °F (100 °C)	30 – 45 min
Frijoles canellini, precocidos	1:2	Cacerola para hornear	Steam (Vapor)	212 °F (100 °C)	65 – 75 min
Cuscús	1:1	Cacerola para hornear	Steam (Vapor)	212 °F (100 °C)	6 – 10 min
Bolitas de masa hervida	–	Cacerola perforada (nivel 3) + cacerola para hornear (nivel 1)	Steam (Vapor)	205 °F (95 °C)	20 – 25 min

## Carne, aves, pescado

Insert el rack y la cacerola para hornear juntos en el mismo nivel de rack. Una vez que el salteado esté listo, deje reposar en el horno de vapor y convección cerrado durante otros 10 minutos después de apagarlo. Esto ayudará a que la carne retenga sus jugos.

El modo Steam Convection (Vapor/Convección) hace que la carne quede particularmente tierna y jugosa en el interior mientras que se forma una costra en el exterior.

Alimento	Cantidad/Peso	Accesorios	Modo del horno	Temperatura	Tiempo de cocción
<b>Aves</b>					
Pollo, entero	2.65 lb (1.2 kg)	Rack de alambre + cacerola para hornear (nivel 2)	Steam Convection (Vapor/Convección)	360 – 375 °F (180 – 190 °C)	50 – 60 min
Pollo, trozado a la mitad	por cada 1 lb (0.4 kg)	Rack de alambre + cacerola para hornear (nivel 2)	Steam Convection (Vapor/Convección)	360 – 375 °F (180 – 190 °C)	35 – 45 min
Pechuga de pollo	por cada 0.33 lb (0.15 kg)	Cacerola perforada (nivel 3) + cacerola para hornear (nivel 1)	Steam (Vapor)	212 °F (100 °C)	15 – 25 min
Presas de pollo	por cada 2.65 lb (1.2 kg)	Rack de alambre + cacerola para hornear (nivel 2)	Steam Convection (Vapor/Convección)	360 – 375 °F (180 – 190 °C)	20 – 35 min
Pato, entero	4.5 lb (2 kg)	Rack de alambre + cacerola para hornear (nivel 2)	Steam Conv (Vapor/Convección)/ True Convection (Convección real)	340 °F (170 °C)/ 410 °F (210 °C)	60 – 80 min/ 15 – 20 min
Pechuga de pato*	por cada 0.77 lb (0.35 kg)	Rack de alambre + cacerola para hornear (nivel 2)	Steam Convection (Vapor/Convección)	360 – 375 °F (180 – 190 °C)	10 – 15 min
Pavo, entero, sin rellenar	8 – 11 lb	Rack de alambre + cacerola para hornear (nivel 2)	Steam Convection (Vapor/Convección)	325 °F (165 °C)	50 – 75 min
Pavo, entero, sin rellenar**	12 – 14 lb	Rack de alambre + cacerola para hornear (nivel 2)	Steam Convection (Vapor/Convección)	325 °F (165 °C)	80 – 95 min
Pechuga de pavo	2 lb (1 kg)	Rack de alambre + cacerola para hornear (nivel 2)	Steam Convection (Vapor/Convección)	300 – 320 °F (150 – 160 °C)	60 – 80 min
<b>Carne de res</b>					
Carne de res salteada*	3.5 lb (1.5 kg)	Rack de alambre + cacerola para hornear (nivel 2)	Reheat (Recalentar)	285 – 300 °F (140 – 150 °C)	100 – 140 min
Filete de carne de res, mediano*	2 lb (1 kg)	Rack de alambre + cacerola para hornear (nivel 2)	Reheat (Recalentar)	340 – 360 °F (170 – 180 °C)	20 – 28 min
Rebanada delgada de carne de res salteada, mediana*	2 lb (1 kg)	Rack de alambre + cacerola para hornear (nivel 2)	True Convection (Convección real)	340 – 360 °F (170 – 180 °C)	40 – 55 min
Rebanada gruesa de solomillo, mediano*	2 lb (1 kg)	Rack de alambre + cacerola para hornear (nivel 2)	True Convection (Convección real)	340 – 360 °F (170 – 180 °C)	45 – 60 min

\* Dore primero

\*\* Use una cacerola para hornear de 1 5/8 pulg. de profundidad (consulte Accesorios adicionales)

Alimento	Cantidad/Peso	Accesorios	Modo del horno	Temperatura	Tiempo de cocción
<b>Ternera</b>					
Ternera, con hueso	3.5 lb (1.5 kg)	Rack de alambre + cacerola para hornear (nivel 2)	Steam Convection (Vapor/Convección)	320 – 360 °F (160 – 180 °C)	50 – 70 min
Filete de ternera	2 lb (1 kg)	Rack de alambre + cacerola para hornear (nivel 2)	Steam Convection (Vapor/Convección)	320 – 360 °F (160 – 180 °C)	15 – 25 min
Pechito de ternera, relleno	3.5 lb (1.5 kg)	Rack de alambre + cacerola para hornear (nivel 2)	Steam Convection (Vapor/Convección)	285 – 320 °F (140 – 160 °C)	75 – 120 min
<b>Cerdo</b>					
Con hueso, sin cuero	3.5 lb (1.5 kg)	Rack de alambre + cacerola para hornear (nivel 2)	Steam Convection (Vapor/Convección)	320 – 360 °F (160 – 180 °C)	50 – 70 min
Con hueso, con cuero	3.5 lb (1.5 kg)	Rack de alambre + cacerola para hornear (nivel 2)	Steam (Vapor)/ Steam Convection (Vapor/Convección)  True Convection (Convección real)	212 °F (100 °C)/ 285 – 320 °F (140 – 160 °C) 410 – 430 °F (140 – 160 °C)	20 – 25 min 40 – 50 min  20 min
Chuleta de cerdo, deshuesado*	1.2 lb (0.5 kg)	Rack de alambre + cacerola para hornear (nivel 2)	Steam Convection (Vapor/Convección)	285 – 320 °F (140 – 160 °C)	75 – 120 min
Jamón en el hueso	2 lb (1 kg)	Rack de alambre + cacerola para hornear (nivel 2)	Steam Convection (Vapor/Convección)	250 – 285 °F (120 – 140 °C)	60 – 70 min
Costillas de cerdo	En rebanadas	Cacerola para hornear (nivel 2)	Steam (Vapor)	212 °F (100 °C)	15 – 20 min
<b>Otros</b>					
Pan de carne	Hecho con 1.2 lb (0.5 kg) de carne molida	Cacerola para hornear (nivel 2)	Steam Convection (Vapor/Convección)	340 – 360 °F (170 – 180 °C)	45 – 60 min
Pata de cordero con hueso	3.5 lb (1.5 kg)	Rack de alambre + cacerola para hornear (nivel 2)	Steam Convection (Vapor/Convección)	340 – 360 °F (170 – 180 °C)	60 – 80 min
Filete de cordero con hueso*	3.5 lb (1.5 kg)	Rack de alambre + cacerola para hornear (nivel 2)	Steam Convection (Vapor/Convección)	320 – 360 °F (160 – 180 °C)	15 – 25 min
Salchichas	–	Cacerola perforada (nivel 3) + cacerola para hornear (nivel 1)	Steam (Vapor)	175 – 185 °F (80 – 85 °C)	12 – 18 min
<b>Fish (Pescado)</b>					
Entero	por cada 0.66 lb (0.3 kg)	Cacerola perforada (nivel 3) + cacerola para hornear (nivel 1)	Steam (Vapor)	175 – 195 °F (80 – 90 °C)	15 – 25 min
Filete	por cada 3.5 lb (1.5 kg)	Cacerola perforada (nivel 3) + cacerola para hornear (nivel 1)	Steam (Vapor)	175 – 195 °F (80 – 90 °C)	10 – 20 min

\* Dore primero

\*\* Use una cacerola para hornear de 1 5/8 pulg. de profundidad (consulte Accesorios adicionales)

Alimento	Cantidad/Peso	Accesorios	Modo del horno	Temperatura	Tiempo de cocción
Trucha, entera	por cada 0.5 lb (0.2 kg)	Cacerola perforada (nivel 3) + cacerola para hornear (nivel 1)	Steam (Vapor)	175 – 195 °F (80 – 90 °C)	12 – 15 min
Bacalao, filete	por cada 0.33 lb (0.15 kg)	Cacerola perforada (nivel 3) + cacerola para hornear (nivel 1)	Steam (Vapor)	175 – 195 °F (80 – 90 °C)	10 – 14 min
Salmón, filete	por cada 0.33 lb (0.15 kg)	Cacerola perforada (nivel 3) + cacerola para hornear (nivel 1)	Steam (Vapor)	212 °F (100 °C)	8 – 10 min
Ostras o almejas	0.33 lb (0.15 kg)	Cacerola para hornear (nivel 2)	Steam (Vapor)	212 °F (100 °C)	10 – 15 min
Abadejo o filete de perca	por cada 0.5 lb (0.2 kg)	Cacerola perforada (nivel 3) + cacerola para hornear (nivel 1)	Steam (Vapor)	175 – 195 °F (80 – 90 °C)	10 – 20 min
Arrollados de lenguado rellenos	–	Cacerola perforada (nivel 3) + cacerola para hornear (nivel 1)	Steam (Vapor)	175 – 195 °F (80 – 90 °C)	10 – 20 min
Camarones, grandes	por cada 1 lb (0.4 kg)	Cacerola perforada (nivel 3) + cacerola para hornear (nivel 1)	Steam (Vapor)	212 °F (100 °C)	8 – 13 min
Camarones, medianos	por cada 1 lb (0.4 kg)	Cacerola perforada (nivel 3) + cacerola para hornear (nivel 1)	Steam (Vapor)	212 °F (100 °C)	5 – 8 min

\* Dore primero

\*\* Use una cacerola para hornear de 1 5/8 pulg. de profundidad (consulte Accesorios adicionales)

## Consejos para saltear

¿Cuándo está salteada la carne?	Use la sonda para carne integrada para medir la temperatura de la carne.
La carne salteada está muy oscura, y la costra está quemada en algunas áreas.	Verifique el nivel de rack y la temperatura.
La carne salteada salió bien, pero la salsa está quemada.	La próxima vez, use una cacerola para saltear más pequeña o agregue más líquido.
La carne salteada tiene buen aspecto, pero la salsa está muy ligera y líquida.	La próxima vez, use una cacerola para saltear más grande o agregue menos líquido.

## Carne de cocción lenta

La cocción lenta es ideal para cocinar todos los cortes tiernos de carne que se cocinarán a punto. La carne queda muy húmeda y es tierna.

**Dore bien la carne de ambos lados sobre la placa.** Coloque la carne en el horno precalentado y continúe con la cocción lenta. Una vez lista, dispóngala en platos precalentados y agregue una salsa tibia encima.

Alimento	Cantidad/Peso	Accesorios	Temperatura	Tiempo de cocción
Pata de cordero con hueso	2 – 3,5 lb (1 – 1.5 kg)	Cacerola para hornear (nivel 2)	175 °F (80 °C)	140 – 160 min
Carne de res salteada	3,5 – 5,5 lb (1.5 – 2.5 kg)	Cacerola para hornear (nivel 2)	175 °F (80 °C)	150 – 180 min
Filetes de cerdo	–	Cacerola para hornear (nivel 2)	175 – 195 °F (80 – 90 °C)	50 – 70 min
Medallones de cerdo	–	Cacerola para hornear (nivel 2)	175 °F (80 °C)	50 – 60 min
Bistecs de carne de res	aprox. ½ pulg. de grosor	Cacerola para hornear (nivel 2)	175 °F (80 °C)	40 – 80 min
Pechuga de pato	–	Cacerola para hornear (nivel 2)	175 °F (80 °C)	35 – 55 min

## Soufflés, estofados, adicionales para sopas, etc.

Alimento	Accesorios	Modo del horno	Temperatura	Tiempo de cocción
Lasaña	Cacerola para hornear (nivel 2)	Steam Convection (Vapor/Convección)	320 – 340 °F (160 – 170 °C)	35 – 45 min
Soufflés	Plato para soufflé + rack de alambre (nivel 2)	Steam Convection (Vapor/Convección)	360 – 390 °F (180 – 200 °C)	15 – 25 min
Bolitas de masa de sémola hervida	Cacerola perforada (nivel 3) + cacerola para hornear (nivel 1)	Steam (Vapor)	195 °F (205 °C)	7 – 10 min

## Postres, Compotas

**Compota:** Pese la fruta, agregue aproximadamente 1/3 de agua, y agregue azúcar y especias a gusto.

**Pudín de arroz:** Pese el arroz y agregue 2.5 veces más de leche. Agregue el arroz y la leche a no más de 1 pulgada de la profundidad del accesorio. Revuelva después de la cocción. La leche restante se absorberá rápidamente.

**Yogur:** Caliente la leche en la placa hasta alcanzar los 195 °F (90 °C). Retire del calor y deje enfriar hasta los 105 °F (40 °C). No es necesario calentar la leche si usa leche de temperatura ultraalta (UHT, por sus siglas en inglés). Incorpore de una a dos cucharaditas de yogur natural o la cantidad apropiada de cultivo bacteriano por cada 100 ml de leche. Vierta la mezcla en tarros de vidrio de 8 oz esterilizados y cúbralos con tapas protectoras. Coloque los tarros en el horno y cocine al vapor según se indica a continuación. Después de la preparación, coloque los tarros en el refrigerador para que se enfríen durante la noche.

Alimento	Accesorios	Modo del horno	Temperatura	Tiempo de cocción
Bolitas de masa hervida de levadura	Cacerola para hornear	Steam (Vapor)	212 °F (100 °C)	20 – 25 min
Natilla de huevo	Molde + rack de alambre	Steam (Vapor)	195 – 205 °F (90 – 95 °C)	15 – 20 min
Alimentos dulces horneados (como pudín de pan)	Plato apto para horno + rack de alambre	Steam Convection (Vapor/Convección)	320 – 340 °F (160 – 170 °C)	50 – 60 min
Pudín de arroz	Cacerola para hornear	Steam (Vapor)	212 °F (100 °C)	25 – 35 min
Yogur	Tarros del tamaño de las porciones + rack de alambre	Steam (Vapor)	105 °F (40 °C)	5 – 6 horas
Compota de manzana	Cacerola para hornear	Steam (Vapor)	212 °F (100 °C)	10 – 15 min
Compota de pera	Cacerola para hornear	Steam (Vapor)	212 °F (100 °C)	10 – 15 min
Compota de cereza	Cacerola para hornear	Steam (Vapor)	212 °F (100 °C)	10 – 15 min
Compota de ruibarbo	Cacerola para hornear	Steam (Vapor)	212 °F (100 °C)	10 – 15 min
Compota de ciruela	Cacerola para hornear	Steam (Vapor)	212 °F (100 °C)	10 – 15 min

## Pasteles y alimentos horneados

Se recomienda usar cacerolas para hornear de metal oscuro. La temperatura y el tiempo de cocción dependen de la cantidad y la consistencia de la masa. Por lo tanto, se proporcionan rangos de temperatura en los cuadros. Empiece con una programación de menor temperatura. Esto hará que el dorado sea más parejo. De ser necesario, la próxima vez use una programación de mayor temperatura. **NO** llene en exceso la cacerola para hornear.

Alimento	Accesorios	Modo del horno	Temperatura	Tiempo de cocción
<b>Pastel en moldes o en cacerolas desmontables</b>				
Pastel esponjoso	Budinera de 10 pulgadas (nivel 2)	True Convection (Convección real)	300 – 320 °F (150 – 160 °C)	60 – 70 min
Tarteleta de frutas delicadas esponjosa	Cacerola desmontable para pastel (nivel 2)	True Convection (Convección real)	300 – 320 °F (150 – 160 °C)	45 – 55 min
Base esponjosa (2 huevos)	Anillo (nivel 2)	True Convection (Convección real)	360 – 375 °F (180 – 175 °C)	12 – 16 min

Alimento	Accesorios	Modo del horno	Temperatura	Tiempo de cocción
Tarteleta esponjosa (6 huevos)	Cacerola desmontable para pastel (nivel 2)	True Convection (Convección real)	300 – 320 °F (150 – 160 °C)	25 – 35 min
Costra de pastelito	Cacerola desmontable para pastel (nivel 2)	True Convection (Convección real)	300 – 320 °F (150 – 160 °C)	40 – 50 min
Tarteleta suiza	Cacerola desmontable para pastel (nivel 2)	True Convection (Convección real)	360 – 375 °F (180 – 175 °C)	35 – 60 min
Bundt®	Cacerola para pastel Bundt® (nivel 2)	True Convection (Convección real)	325 – 350 °F (163 – 177 °C)	35 – 45 min
Pasteles dulces	Plato para quiche (nivel 2)	True Convection (Convección real)	360 – 375 °F (180 – 175 °C)	35 – 60 min
Tarta de manzana	Cacerola para pastel de base de tarteleta (nivel 2)	True Convection (Convección real)	340 – 375 °F (170 – 190 °C)	35 – 50 min
<b>Pasteles planos</b>				
Pastel de levadura	Cacerola para hornear (nivel 2)	Steam Convection (Vapor/Convección)	300 – 320 °F (150 – 160 °C)/ 300 – 320 °F (150 – 160 °C)	35 – 45 min
		True Convection (Convección real)		35 – 45 min
Arrollado suizo	Cacerola para hornear (nivel 2)	True Convection (Convección real)	360 – 375 °F (180 – 175 °C)	10 – 15 min
Hogaza trenzada	Cacerola para hornear (nivel 2)	Steam Convection (Vapor/Convección)	300 – 320 °F (150 – 160 °C)	25 – 35 min
Strudel dulce	Cacerola para hornear (nivel 2)	Steam Convection (Vapor/Convección)	320 – 360 °F (160 – 180 °C)	40 – 60 min
<b>Pan, panecillos</b>				
Pan blanco, 1.7 lb (0.75 kg) de harina	Cacerola para hornear + papel pergamino (nivel 2)	Steam Convection (Vapor/Convección)/	390 – 410 °F (200 – 210 °C)/ 320 – 340 °F (160 – 170 °C)	15 – 20 min/ 20 – 25 min
		True Convection (Convección real)		
Pan de masa agria, 1.7 lb (0.75 kg) de harina	Cacerola para hornear + papel pergamino (nivel 2)	Steam Convection (Vapor/Convección)/	390 – 410 °F (200 – 210 °C)/ 300 – 320 °F (150 – 160 °C)	15 – 20 min/ 40 – 60 min
		True Convection (Convección real)		
Pan multigrano, 1.7 lb (0.75 kg) de harina	Cacerola para hornear + papel pergamino (nivel 2)	Steam Convection (Vapor/Convección)/	390 – 430 °F (200 – 220 °C)/ 320 – 340 °F (160 – 170 °C)	15 – 20 min/ 25 – 40 min
		True Convection (Convección real)		

Alimento	Accesorios	Modo del horno	Temperatura	Tiempo de cocción
Pan integral, 1.7 lb (0.75 kg) de harina	Cacerola para hornear + papel pergamino (nivel 2)	Steam Convection (Vapor/Convección)  True Convection (Convección real)	390 – 430 °F (200 – 220 °C)/ 285 – 300 °F (140 – 150 °C)	20 – 30 min/  40 – 60 min
Pan de centeno, 1.7 lb (0.75 kg) de harina	Cacerola para hornear + papel pergamino (nivel 2)	Steam Convection (Vapor/Convección)  True Convection (Convección real)	390 – 430 °F (200 – 220 °C)/ 300 – 320 °F (150 – 160 °C)	20 – 30 min/  50 – 60 min
Panecillos, 0.15 lb (70 g) cada uno, sin hornear	Cacerola para hornear + papel pergamino (nivel 2)	Steam Convection (Vapor/Convección)	375 – 390 °F (190 – 200 °C)	25 – 30 min
Panecillos hechos con masa de levadura dulce, 0.15 lb (70 g) cada uno, sin hornear	Cacerola para hornear + papel pergamino (nivel 2)	Steam Convection (Vapor/Convección)	340 – 360 °F (170 – 180 °C)	20 – 30 min
<b>Productos horneados pequeños</b>				
Merengue	Cacerola para hornear (nivel 2)	True Convection (Convección real)	175 – 195 °F (80 – 90 °C)	120 – 180 min
Macarrones	Cacerola para hornear (nivel 2)	True Convection (Convección real)	285 – 320 °F (140 – 160 °C)	15 – 25 min
Pastel de hojaldre	Cacerola para hornear (nivel 2)	Steam Convection (Vapor/Convección)	340 – 375 °F (170 – 190 °C)	10 – 20 min
Muffins	Cacerola para muffins (nivel 2)	True Convection (Convección real)	340 – 375 °F (170 – 190 °C)	20 – 30 min
Masa bomba, como bombas de crema	Cacerola para hornear (nivel 2)	True Convection (Convección real)	340 – 375 °F (170 – 190 °C)	27 – 35 min
Biscochos	Cacerola para hornear (nivel 2)	True Convection (Convección real)	300 – 320 °F (150 – 160 °C)	12 – 17 min
Pastel fermentado, como pastel de manzana	Cacerola para hornear (nivel 2)	True Convection (Convección real)	300 – 320 °F (150 – 160 °C)	15 – 20 min

## Consejos de horneado

Si utiliza una receta propia.	Observe en la tabla los pasteles o los alimentos horneados que sean similares a su receta.
Esto lo ayudará a determinar si el pastel está bien cocido.	Alrededor de 10 minutos antes de finalizar el tiempo de horneado según su receta, introduzca un palillo en la parte más alta del pastel. El pastel está listo cuando la masa no se pega al palillo.
El pastel se desmorona.	La próxima vez, use menos líquido o programe la temperatura del horno a 20 °F (10 °C) menos. Use los tiempos de mezclado especificados en la receta.
El pastel es más alto en el centro que en los costados.	No engrase los costados de la cacerola desmontable o cacerola para pastel. Después de hornear, retire con cuidado el pastel de la cacerola usando un cuchillo.
La parte trasera de la cacerola desmontable o de la cacerola para pastel está demasiado oscura.	No coloque la cacerola para hornear contra la pared trasera del horno. Colóquela en el centro del rack.
El pastel está demasiado seco.	Use un palillo para hacerle pequeños orificios al pastel terminado y verter gotas de jugo de fruta o de alguna bebida alcohólica sobre el pastel. La próxima vez, programe la temperatura a 20 °F (10 °C) más y acorte el tiempo de horneado o use el modo del horno Steam Convection (Vapor/Convección).
El pan o el pastel tienen un buen aspecto, pero están un poco blandos en el interior (demasiado húmedos, tienen vetas de líquido por dentro).	La próxima vez, use menos líquido. Hornee durante más tiempo y a menor temperatura. Prehornee masas para pies y pasteles con rellenos jugosos/líquidos. Espolvoree almendras o migas de pan en la masa y luego agregue el relleno. Use el tiempo de horneado especificado en la receta.
Los pasteles o los alimentos horneados se doran en forma despareja.	La próxima vez, programe el horno a una temperatura menor.

## Cómo recalentar alimentos

Alimento	Accesorios	Modo del horno	Temperatura	Tiempo
Plato de cena	Rack de alambre (nivel 2)	Reheat (Recalentar)	250 °F (120 °C)	12 – 18 min
Vegetables (Verduras)	Cacerola para hornear (nivel 3)	Reheat (Recalentar)	212 °F (100 °C)	12 – 15 min
Fideos, papas, arroz	Cacerola para hornear (nivel 3)	Reheat (Recalentar)	212 °F (100 °C)	5 – 10 min
Panecillos	Rack de alambre (nivel 2)	Steam Convection (Vapor/Convección)	340 – 360 °F (170 – 180 °C)	6 – 8 min
Baguettes	Rack de alambre (nivel 2)	Steam Convection (Vapor/Convección)	340 – 360 °F (170 – 180 °C)	5 – 10 min
Pan	Rack de alambre (nivel 2)	Steam Convection (Vapor/Convección)	340 – 360 °F (170 – 180 °C)	8 – 12 min
Pizza	Rack de alambre + cacerola para hornear (nivel 3)	Reheat (Recalentar)	340 – 360 °F (170 – 180 °C)	12 – 15 min

## Cómo descongelar

Congele los alimentos tan planos como sea posible y en porciones adecuadas a -0 °F (-18 °C). No congele porciones demasiado grandes. Los alimentos descongelados no se mantienen por tanto tiempo como los alimentos frescos y se echan a perder más rápido. Descongele los alimentos en la bolsa para congelador sobre un plato o en la cacerola perforada para hornear. Siempre deslice la cacerola para hornear debajo de la cacerola perforada para hornear. Esto evita que los alimentos queden en el agua descongelada y mantiene limpio el horno. Use el modo Defrost (Descongelar). De ser necesario, mientras se descongelan los alimentos, divídalos o retire del horno los trozos que ya se hayan descongelado. Deje reposar los alimentos durante otros 5 – 15 minutos después de que se hayan descongelado para alcanzar la temperatura ambiente.



### ADVERTENCIA:

Al descongelar productos alimenticios de origen animal, asegúrese de retirar el líquido descongelado. El líquido no debe entrar en contacto con otros productos alimenticios. Podrían transferirse bacterias a los otros alimentos. Después de que se hayan descongelado los alimentos, retírelos y caliente el horno de vapor con True Convection (Convección real) durante 15 minutos a 360 °F (180 °C).

**Cómo descongelar carnes:** Descongele cortes de carne que se empanarán solo hasta que los condimentos y las migas de pan puedan adherirse a la carne.

**Cómo descongelar aves:** Retire del embalaje antes de descongelar. Asegúrese de verter todo el líquido que se produce por la descongelación.

Alimento	Cantidad/Peso	Accesorios	Tiempo de cocción
Trozos de pollo, con hueso	2 lb (1 kg)	Cacerola perforada (nivel 3) + cacerola para hornear (nivel 1)	60 – 70 min
Trozos de pollo, sin hueso	1 lb (0.4 kg)	Cacerola perforada (nivel 3) + cacerola para hornear (nivel 1)	30 – 35 min
Verduras congeladas en bloque (como espinaca)	1 lb (0.4 kg)	Cacerola perforada (nivel 3) + cacerola para hornear (nivel 1)	20 – 30 min
Frutos rojos	0.66 lb (0.3 kg)	Cacerola perforada (nivel 3) + cacerola para hornear (nivel 1)	5 – 8 min
Filetes de pescado	1 lb (0.4 kg)	Cacerola perforada (nivel 3) + cacerola para hornear (nivel 1)	15 – 20 min
Carne de res	–	Cacerola perforada (nivel 3) + cacerola para hornear (nivel 1)	70 – 80 min

## Cómo leudar masa

La masa leuda mucho más rápido usando este modo que a temperatura ambiente.

Coloque el bol con la masa que debe leudarse sobre el rack. **NO** cubra la masa.

Alimento	Cantidad/Peso	Accesorios	Temperatura	Tiempo para leudar
Masa de levadura	2 lb (1 kg)	Bol + rack de alambre	100 F (38 C)	20 – 30 min
Masa agria	2 lb (1 kg)	Bol + rack de alambre	100 F (38 C)	20 – 30 min

## Productos congelados

Siga las instrucciones del proveedor respecto del embalaje. Los tiempos de cocción especificados corresponden a los platos colocados en el horno frío.

Alimento	Accesorios	Modo del horno	Temperatura	Tiempo de cocción
Papas fritas	Cacerola para hornear + papel pergamino (nivel 2)	True Convection (Convección real)	340 – 375 °F (170 – 190 °C)	25 – 35 min
Croquetas	Cacerola para hornear + papel pergamino (nivel 2)	True Convection (Convección real)	360 – 390 °F (180 – 200 °C)	18 – 22 min
Papas fritas cortadas en rebanadas finas	Cacerola para hornear + papel pergamino (nivel 2)	True Convection (Convección real)	360 – 390 °F (180 – 200 °C)	25 – 30 min
Pasta, fresca, refrigerada*	Cacerola para hornear + papel pergamino (nivel 2)	Steam (Vapor)	212 F (100 C)	5 – 10 min
Lasaña, congelada	Cacerola para hornear + rack de alambre (nivel 2)	Steam Convection (Vapor/ Convección)	375 – 410 °F (190 – 210 °C)	35 – 55 min
Pizza, masa fina	Cacerola para hornear + rack de alambre (nivel 2)	True Convection (Convección real)	360 – 390 °F (180 – 200 °C)	15 – 23 min
Pizza, masa gruesa	Cacerola para hornear + rack de alambre (nivel 2)	True Convection (Convección real)	360 – 390 °F (180 – 200 °C)	18 – 25 min
Pizza, pan francés	Cacerola para hornear + rack de alambre (nivel 2)	True Convection (Convección real)	360 – 390 °F (180 – 200 °C)	18 – 22 min
Pizza fría	Cacerola para hornear + papel pergamino (nivel 2)	True Convection (Convección real)	340 – 360 °F (170 – 180 °C)	12 – 17 min
Baguettes de mantequilla con finas hierbas, refrigeradas	Cacerola para hornear (nivel 2)	True Convection (Convección real)	360 – 390 °F (180 – 200 °C)	15 – 20 min
Pretzels, congelados	Cacerola para hornear + papel pergamino (nivel 2)	True Convection (Convección real)	360 – 390 °F (180 – 200 °C)	18 – 22 min
Panecillos o baguettes parcialmente cocinados, prehornados	Cacerola para hornear + papel pergamino (nivel 2)	True Convection (Convección real)	300 – 340 °F (150 – 170 °C)	18 – 22 min
Strudel, congelado	Cacerola para hornear + papel pergamino (nivel 2)	Steam Convection (Vapor/ Convección)	320 – 360 °F (160 – 180 °C)	45 – 60 min
Bastoncitos de pescado	Cacerola para hornear + papel pergamino (nivel 2)	True Convection (Convección real)	380 – 400 °F (195 – 205 °C)	20 – 24 min
Pescado entero	Cacerola perforada (nivel 3) + cacerola para hornear (nivel 1)	Steam (Vapor)	175 – 212 °F (80 – 100 °C)	20 – 25 min
Filetes de pescado congelados	Cacerola para hornear + rack de alambre (nivel 2)	Steam Convection (Vapor/ Convección)	360 – 390 °F (180 – 200 °C)	35 – 50 min
Filetes de salmón	Cacerola perforada (nivel 3) + cacerola para hornear (nivel 1)	Steam (Vapor)	175 – 212 °F (80 – 100 °C)	20 – 25 min
Brócoli	Cacerola perforada (nivel 3) + cacerola para hornear (nivel 1)	Steam (Vapor)	212 F (100 C)	4 – 6 min

\* Agregue un poco de líquido.

Alimento	Accesorios	Modo del horno	Temperatura	Tiempo de cocción
Coliflor	Cacerola perforada (nivel 3) + cacerola para hornear (nivel 1)	Steam (Vapor)	212 °F (100 °C)	5 – 8 min
Frijoles verdes	Cacerola perforada (nivel 3) + cacerola para hornear (nivel 1)	Steam (Vapor)	212 °F (100 °C)	4 – 6 min
Chícharos	Cacerola perforada (nivel 3) + cacerola para hornear (nivel 1)	Steam (Vapor)	212 °F (100 °C)	4 – 6 min
Zanahorias	Cacerola perforada (nivel 3) + cacerola para hornear (nivel 1)	Steam (Vapor)	212 °F (100 °C)	3 – 5 min
Verduras mixtas	Cacerola perforada (nivel 3) + cacerola para hornear (nivel 1)	Steam (Vapor)	212 °F (100 °C)	4 – 8 min
Colecitas de Bruselas	Cacerola perforada (nivel 3) + cacerola para hornear (nivel 1)	Steam (Vapor)	212 °F (100 °C)	5 – 10 min

\* Agregue un poco de líquido.

## Alimentos especiales

Alimento	Tamaño	Accesorios	Modo del horno	Temperatura	Tiempo de cocción
Huevos cocidos blandos	Grandes	Cacerola perforada (nivel 3) + cacerola para hornear (nivel 1)	Steam (Vapor)	212 °F (100 °C)	9 – 11 min
Huevos cocidos duros	Grandes	Cacerola perforada + cacerola para hornear	Steam (Vapor)	212 °F (100 °C)	14 – 17 min

## Consejos

### Utensilios para horno

- Use los accesorios que vienen con el aparato. Si usa utensilios para horno, siempre colóquelos en el centro del rack. Los utensilios para horno deben ser resistentes al calor y al vapor. Los utensilios para horno de bordes gruesos prolongan el tiempo de cocción.
- Use papel para cubrir los alimentos que normalmente se prepararían a baño María (como para fundir chocolate).

### Cocción al vapor

- Al cocinar al vapor, los tiempos de cocción se basan en el tamaño de la porción, no en la cantidad total de alimentos. El aparato puede cocinar al vapor hasta 14 lb (6.4 kg) de alimentos.
- Observe los tamaños de porciones enumerados en las tablas. El tiempo de cocción es más breve para porciones más pequeñas y más prolongado para porciones más grandes. La calidad y la maduración de los alimentos también afectan el tiempo de cocción. Por lo tanto, los valores suministrados son solo orientativos.
- Distribuya siempre los alimentos de manera pareja en los utensilios para horno. Si los alimentos se colocan en forma despareja en los utensilios para horno, se cocinarán en forma despareja.
- No coloque alimentos delicados en las capas más altas de la cacerola para hornear. Es mejor usar dos cacerolas en este caso.

# Limpieza y mantenimiento

## Limpieza

### AVISO:

- Retire los residuos y los derrames de alimentos de la cavidad inmediatamente después de que se haya enfriado el aparato. Es muy difícil retirar los residuos quemados después de transcurrido un tiempo.
- Las sales son muy abrasivas y pueden causar manchas de óxido. Retire los residuos que dejan las salsas fuertes (ketchup, mostaza) o los alimentos con sal inmediatamente después de que el horno se haya enfriado.



### ADVERTENCIA:

RIESGO DE QUEMADURAS — Espere hasta que el aparato se haya enfriado antes de limpiarlo.



### ADVERTENCIA:

RIESGO DE CORTOCIRCUITO — Nunca use hidrolavadoras ni limpiadores a vapor para limpiar el aparato.

### Esponja de limpieza

Use la esponja de limpieza para retirar cualquier resto de agua del plato evaporador. Limpie el horno con la esponja de limpieza y, luego, séquelo con un paño suave.

La esponja de limpieza provista es muy absorbente. Use la esponja de limpieza solo para limpiar la cavidad del horno y para remover cualquier resto de agua del plato evaporador.

Lave bien la esponja de limpieza antes de usarla por primera vez. La esponja de limpieza puede lavarse en un lavavajillas.

## Limpiadores

<b>Exterior del aparato</b>	Agua jabonosa. Use un paño suave para secar. Siempre retire los depósitos de calcio, grasa, aceite, almidón y las manchas de clara de huevo de inmediato después de que se haya enfriado el aparato
Panel/manija frontal de aluminio	Limpiador de ventanas suave. Limpie en un ángulo horizontal usando un paño para ventanas suave o un paño de microfibra sin pelusa, sin hacer presión sobre las superficies.
Borde delantero y manija de la puerta de acero inoxidable	Agua jabonosa. Use un paño suave para secar. Siempre retire los depósitos de calcio, grasa, aceite, almidón y las manchas de clara de huevo de inmediato después de que se haya enfriado el aparato. Siempre retire los depósitos de calcio, la grasa, el aceite, el almidón y las manchas de clara de huevo inmediatamente después de que se haya enfriado el aparato. Hay limpiadores especiales para acero inoxidable disponibles a través del Servicio de Atención al Cliente o en tiendas minoristas.
<b>Interior del horno</b>	Agua jabonosa tibia o mezcla de vinagre y agua. Use la esponja de limpieza proporcionada o un cepillo para lavar platos suave. <b>AVISO:</b> ¡Nunca use lana de acero ni esponjas abrasivas! La cavidad del horno puede oxidarse. Si está muy sucio, use un limpiador multiuso, como Simple Green. Siga las instrucciones del envase para mezclarlo. Rocíe sobre los residuos, deje actuar durante 15 a 30 minutos, luego limpie toda la cavidad con toallas de papel o con un paño. Ponga en marcha el ciclo Steam Clean (Limpieza por vapor) para enjuagar bien la cavidad. <b>AVISO:</b> No permita que la luz, el foco ni los empaques de la puerta del horno entren en contacto con el limpiador.
<b>Plato evaporador</b>	Agua jabonosa tibia o mezcla de vinagre y agua.
<b>Empaque externo del horno</b>	Agua jabonosa tibia.
<b>Tanque de agua</b>	Agua jabonosa. ¡No limpiar en lavavajillas!
Ranura del tanque	Seque después de cada uso.
Sello de la tapa protectora	Seque bien después de cada uso.

<b>Rieles de racks</b>	Use agua jabonosa tibia o lávelos en el lavavajillas (consulte <i>Cómo limpiar los racks</i> ).
<b>Vidrio de las puertas</b>	Limpiador para vidrios.
<b>Accesorios</b>	Remoje en agua jabonosa tibia. Limpie con un cepillo o con una esponja de cocina, o lave en el lavavajillas. Use una mezcla de agua y vinagre para las manchas o la decoloración causados por alimentos con almidón (como el arroz).

## Importante:

Nunca use abrasivos para limpiar el horno de vapor.

Retire todos los restos de limpiadores utilizados en el horno de vapor siguiendo cuidadosamente todas las instrucciones para limpiar el horno y ejecutando ciclos de enjuague. Los residuos de limpiadores pueden adherirse al vidrio en la puerta del horno. También pueden afectar en forma adversa el sabor de los alimentos cocinados en el horno de vapor.

Nunca use lana de acero ni esponjas abrasivas para limpiar el horno de vapor. La cavidad del horno puede oxidarse si no se cuida en forma adecuada.

## Limpieza por vapor

La limpieza por vapor utiliza vapor para ayudar a disolver los residuos y derrames de alimentos en el horno de modo que puedan limpiarse con facilidad. La limpieza por vapor incluye una fase de exposición a 212 °F (100 °C), una fase de limpieza a temperaturas más frías y dos ciclos de enjuague. La limpieza por vapor requiere un tiempo total de 30 – 35 minutos.

Puede comenzar STEAM CLEAN (Limpieza por vapor) únicamente cuando el horno esté OFF (Apagado) y se haya enfriado por completo. **La operación del aparato se bloqueará si se cancela Steam Clean (Limpieza por vapor). El aparato no puede volverse a operar hasta después del primer y segundo ciclo de limpieza para asegurarse de que no haya ningún agente de limpieza en su interior.**

### NOTA:

La limpieza por vapor requiere 3 ciclos de start/stop (Comenzar/Parar) para completar su operación. No puede abortarse una vez que haya comenzado. Deben completarse los tres ciclos antes de que pueda operarse el aparato nuevamente.

### Fase de limpieza (ciclo 1)

1. Deje enfriar el horno y retire todos los accesorios.
2. Utilizando la esponja de limpieza que se proporciona con el horno (o una esponja o un paño suaves comparables), limpie el plato evaporador.
3. Llene el tanque de agua hasta MAX. (Máx.)
4. Agregue una gota de detergente líquido al plato evaporador.

5. En el display, en el menú SETTINGS (Programaciones), desplácese con los botones “+/-” hasta STEAM CLEAN (Limpieza por vapor) y presione “ENTER” (Intro).
6. El display mostrará START STEAM CLEAN? YES (¿Comenzar limpieza por vapor? Sí). Presione ENTER (Intro) nuevamente.
  - Al desplazarse con los botones “+/-”, aparece la opción START STEAM CLEAN? NO (¿Comenzar limpieza por vapor? No). Si presiona “ENTER” (Intro) cuando el display muestra START STEAM CLEAN? NO (¿Comenzar limpieza por vapor? No), el display regresa al anterior menú, y muestra STEAM CLEAN (Limpieza por vapor) en el menú SETTINGS (Programaciones).
7. Presione “ENTER” (Intro) para comenzar la limpieza por vapor.
  - El display mostrará EXPOSURE PHASE (Fase de exposición) en la primera línea y el tiempo de exposición de 10 minutos en la segunda línea. El display comenzará la cuenta regresiva de 10:00 a 00:00. El display luego mostrará CLEANING PHASE (Fase de limpieza) y un tiempo total de 20 minutos. Comenzará una cuenta regresiva de 20:00 a 00:00.

Al final de la fase de limpieza (alrededor de 30 minutos), se suspenderá la cuenta regresiva y sonará un zumbador. El display mostrará CLEAN DISH (Plato limpio) en la primera línea y PRESS ENTER BUTTON (Presionar el botón ENTER [Intro]) en la segunda línea. **NO** presione ENTER (Intro) antes de seguir las instrucciones que se indican a continuación.

### Primer enjuague (ciclo 2)

8. Retire los rieles de racks del horno y limpie los residuos de alimentos blandados en ellos (*consulte “Limpieza de los racks” en la página 36*).
9. Utilizando un cepillo para lavar platos **suave** y la esponja de limpieza, limpie los residuos de alimentos parcialmente disueltos del horno y del plato evaporador. Lave bien la esponja de limpieza.
10. Verifique el tanque de agua, vuelva a llenarlo y deslícelo nuevamente a su lugar.

11. Presione **“ENTER”** (Intro) para comenzar el primer ciclo de enjuague.
  - El display mostrará 1ST RINSE (1.º enjuague) en la primera línea. Se reanuda la cuenta regresiva y, después de un tiempo breve (alrededor de 20 segundos), un bip indicará la finalización del primer enjuague.
  - El display mostrará CLEAN DISH (Plato limpio) en la primera línea y PRESS ENTER BUTTON (Presionar el botón ENTER [Intro]) en la segunda línea.
12. Utilizando la esponja de limpieza, limpie el plato evaporador. Enjuague bien la esponja de limpieza.

### Segundo enjuague (ciclo 3)

13. Presione **“ENTER”** (Intro) para comenzar el segundo ciclo de enjuague.
  - El display mostrará 2ND RINSE (2.º enjuague) en la primera línea. Se reanuda la cuenta regresiva y, después de otros 20 segundos, un bip indicará la finalización de STEAM CLEAN (Limpieza por vapor). El display mostrará STEAM CLEAN FINISHED (Limpieza por vapor finalizada) en la primera línea y CLEAN DISH (Plato limpio) en la segunda línea.
14. Utilizando la esponja de limpieza, limpie cualquier resto de agua del plato evaporador y limpie el horno. Enjuague bien la esponja de limpieza.
15. Utilizando un paño suave, seque la cavidad del horno.

## Eliminación del sarro del horno de vapor

A menos que use agua ablandada, necesitará eliminar el sarro del horno de vapor a intervalos regulares. Una vez que haya programado su nivel de grado de dureza del agua (consulte *página 7*), el display del horno de vapor le informará automáticamente cuando se necesita eliminar el sarro. La eliminación del sarro incluye una fase de exposición, dos fases de eliminación de sarro y dos ciclos de enjuague, con un tiempo total de 30-35 minutos.

Grado de dureza del agua	Contador de horas de operación
1 – ablandada	ilimitado, sin mensaje
2 – blanda	400 horas
3 – término medio	200 horas
4 – dura	100 horas
5 – muy dura	70 horas

Si se excede la cantidad de horas de operación, se mostrará el mensaje DESCALE NEEDED (Eliminación de sarro necesaria) cada vez que se seleccione un nuevo modo de calentamiento. Seleccione ENTER (Intro) para continuar. Después de finalizar la operación de eliminación de sarro, se restablecerá el contador de horas de operación y ya no se mostrará el mensaje.

Puede comenzar DESCALE (Eliminar sarro) únicamente cuando el horno esté programado en OFF (Apagado) y se haya enfriado por completo. Una vez que haya comenzado la eliminación del sarro, no debe interrumpirse. Es muy importante que se completen todos los ciclos de enjuague. **La operación del aparato se bloqueará si se cancela Descalce (Eliminar sarro). El aparato no puede volverse a operar hasta después del primer y segundo ciclo de limpieza para asegurarse de que no haya ningún agente de limpieza en su interior.**

### NOTA:

La eliminación del sarro requiere 3 ciclos de start/stop (Comenzar/Parar) para completar su operación.

### Fase de eliminación del sarro (ciclo 1)

1. Utilizando únicamente el polvo para eliminar el sarro recomendado para este horno (número de pieza de BSH 573828; obténgalo de su tienda minorista o pídalo a través de <http://www.thermador-eshop.com>), mezcle 32 oz (1 cuarto de galón o 0.95 l) de agua con un paquete de polvo para eliminar el sarro, a fin de producir la solución para eliminar el sarro.
2. Vacíe el tanque de agua y vuelva a llenarlo con la solución de eliminación del sarro. Vuelva a colocar el tanque de agua en el conducto del tanque.
3. En el display, en el menú **SETTINGS** (Programaciones), desplácese con los botones **“+/-”** hasta **DESCALE** (Eliminar sarro) y presione **“ENTER”** (Intro). El display mostrará **START DESCALE? YES** (¿Comenzar eliminación del sarro? Sí).
  - Al desplazarse con los botones **“+/-”**, aparece la opción **START DESCALE? NO** (¿Comenzar eliminación del sarro? No). Si presiona **“ENTER”** (Intro) cuando el display muestra **START DESCALE? NO** (¿Comenzar eliminación del sarro? No), el display regresa al anterior menú, y muestra **DESCALE** (Eliminar sarro) en el menú **SETTINGS** (Programaciones).
4. Presione **“ENTER”** (Intro) para comenzar la eliminación del sarro.
  - El display mostrará **EXPOSURE PHASE** (Fase de exposición) en la primera línea y 10:00 en la segunda línea, y comienza la cuenta regresiva hasta 00:00. En este punto, se muestra **DESCALE PHASE** (Fase de eliminación del sarro) con un tiempo de 20 minutos.

Al finalizar la fase de eliminación del sarro, se suspende la cuenta regresiva y sonará un bip. El display mostrará CLEAN DISH, FILL TANK (Limpiar plato, llenar tanque) en la primera línea y WIPE OUT OVEN (Limpiar horno) en la segunda línea.

### Primer enjuague (ciclo 2)

5. Retire el tanque de agua y lávelo bien; llénelo con agua y deslícelo de nuevo en su lugar.
6. Utilizando la esponja de limpieza proporcionada con su horno (o un paño o una esponja suaves comparables), limpie toda el agua del plato evaporador y limpie el horno. Lave bien la esponja de limpieza.
7. El display ahora mostrará PRESS ENTER BUTTON (Presionar el botón ENTER [Intro]). Presione **"ENTER"** (Intro) para comenzar el primer ciclo de enjuague.
  - El display mostrará 1ST RINSE (1.º enjuague) en la primera línea. Se reanuda la cuenta regresiva.
8. Después de 20 segundos, un bip indicará la finalización del primer ciclo de enjuague. El display mostrará CLEAN DISH (Plato limpio) en la primera línea y PRESS ENTER BUTTON (Presionar el botón ENTER [Intro]) en la segunda línea.
9. Utilizando la esponja de limpieza, limpie toda el agua del plato evaporador.

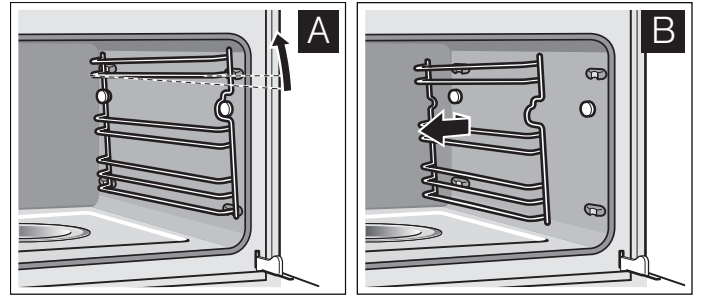
### Segundo enjuague (ciclo 3)

10. Presione **"ENTER"** (Intro) para comenzar el segundo ciclo de enjuague.
  - El display mostrará 2ND RINSE (2.º enjuague) en la primera línea. Se reanuda la cuenta regresiva nuevamente.
11. Después de 20 segundos, un bip indicará la finalización de DESCALE (Eliminar sarro). El display mostrará DESCALE FINISHED (Eliminación del sarro finalizada) en la primera línea y CLEAN DISH (Plato limpio) en la segunda línea.
12. Utilizando la esponja de limpieza, limpie toda el agua del plato evaporador y limpie el horno. Enjuague bien la esponja de limpieza.
13. Utilizando un paño suave, seque la cavidad del horno.

## Limpeza de los racks

### Cómo retirar los racks

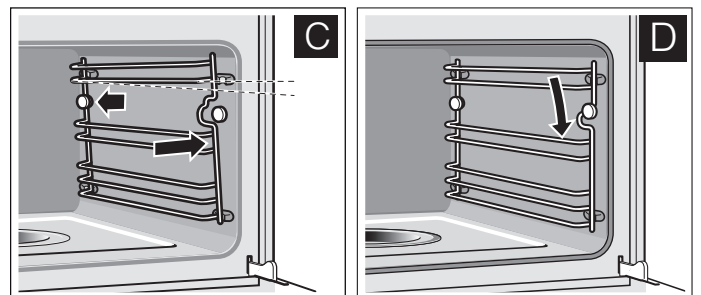
1. Con cuidado, presione la parte delantera del rack hacia arriba hasta que se desenganche de la bisagra y quítelo del soporte desplazándolo hacia uno de los lados (imagen A).
2. Desenganche el rack de las bisagras del soporte y retírelo (imagen B).



3. Limpie los racks con detergente para platos y una esponja/un cepillo para platos, o limpie los racks en el lavavajillas.

### Cómo volver a insertar los racks

1. Inserte el rack con las muescas mirando hacia arriba. Los racks solo calzan en un lado.
2. Enganche el rack nuevamente y empújelo hacia atrás hasta que trabe (imagen C).
3. Enganche el rack en el soporte delantero, y presione hacia abajo hasta que trabe y esté asegurado en el aparato de manera horizontal (imagen D).

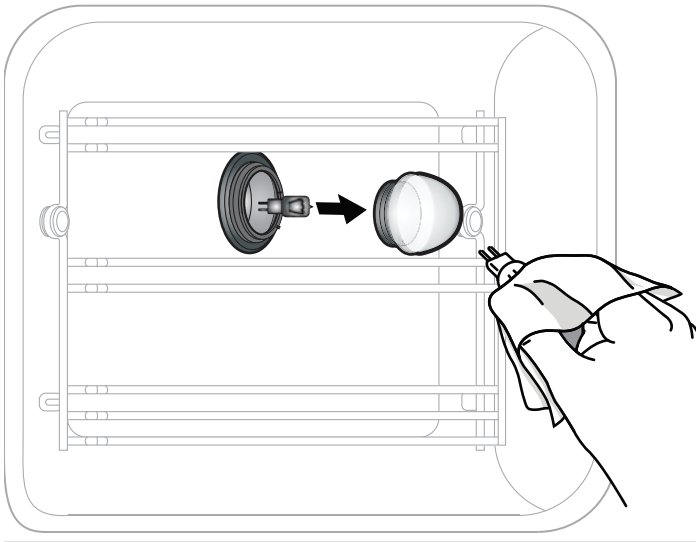


# Mantenimiento

## Para reemplazar el foco de luz del horno de vapor

Pueden comprarse focos halógenos de 230 V/25 W máx. resistentes al calor con sellos a través de tiendas minoristas o Servicio de Atención al Cliente. Al comprar a través de Servicio de Atención al Cliente, proporcione los números de modelo y serie del aparato.

1. Apague la alimentación al aparato en el suministro de alimentación principal (caja de disyuntores).
2. Rote la cubierta en el sentido contrario a las agujas del reloj.
3. Retire el foco tomándolo y jalándolo hacia afuera directamente.
4. No toque el vidrio del nuevo foco de repuesto con los dedos. Puede provocar la falla del foco cuando se enciende por primera vez. Tome el foco de repuesto con un paño seco limpio. Ubique las dos clavijas en el sostén de cerámica presionando suavemente hasta que las dos clavijas calcen en la toma de corriente de cerámica.
5. Asegúrese de que los sellos y el aro de tensión estén en la cubierta de vidrio. Atornille la cubierta de vidrio.
6. Vuelva a conectar el aparato a la alimentación.



Nunca opere el aparato sin la cubierta de vidrio ni los sellos.

# Servicio técnico

## Resolución de problemas

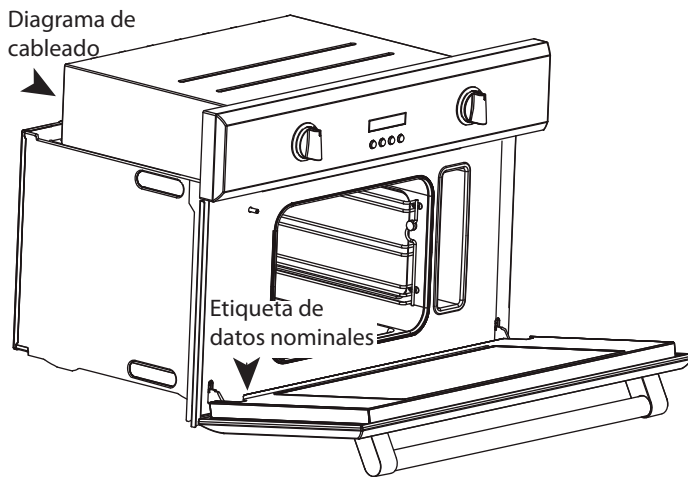
Si encuentra un problema, a menudo, será algo menor. Antes de llamar a Servicio de Atención al Cliente, considere las sugerencias y las instrucciones que se encuentran a continuación.

Problema	Causa posible	Consejo/Solución
El aparato no funciona.	El cable no está enchufado.	Conecte el aparato a la alimentación.
	Corte de alimentación	Verifique que los otros aparatos de la cocina funcionan.
	Fusible defectuoso.	Verifique la caja de fusibles o disyuntores para ver si el disyuntor o el fusible del aparato funcionan.
	Funcionamiento defectuoso.	Apague la alimentación al aparato en el suministro de alimentación principal (caja de fusibles o disyuntores) y vuelva a encenderlo después de, aproximadamente, 10 segundos.
El aparato no enciende.	La puerta del aparato no está completamente cerrada.	Cierre la puerta del aparato.
El tanque de agua se vacía sin motivo aparente. El plato evaporador se desborda.	El tanque de agua no se cerró en forma adecuada.	Cierre la tapa protectora del tanque hasta que calce bien a presión.
	El sello de la tapa protectora del tanque está sucio.	Limpie el sello.
	El sello de la tapa protectora del tanque está defectuoso.	Obtenga un nuevo tanque de agua a través de Servicio de Atención al Cliente.
El agua del plato evaporador se ha evaporado, a pesar de que el tanque de agua está lleno.	El tanque de agua no se insertó correctamente.	Deslice el tanque de agua hasta que quede trabado en su lugar.
	La línea de suministro está obstruida.	Elimine el sarro del aparato. Verifique que el nivel del grado de dureza del agua esté programado correctamente.
Puede escucharse un “plaf” al cocinar.	El cambio de temperatura afecta los alimentos congelados y es causado por el vapor del agua.	Esto es normal.
Se produce una cantidad de vapor excesiva al cocinar al vapor.	El aparato se está calibrando automáticamente.	Esto es normal.
Se produce repetidamente una cantidad de vapor excesiva al cocinar al vapor.	El aparato no puede calibrarse automáticamente al cocinar durante períodos breves.	Restablezca el aparato a la programación de fábrica (consulte <i>Programaciones básicas</i> ). Luego, inicie el modo Steam (Vapor) durante 20 minutos a 210 °F (100 °C).
Sale vapor por las aberturas de ventilación al cocinar.		Esto es normal.
El aparato ya no produce vapor correctamente.	Es necesario eliminar el sarro del aparato.	Inicie el modo Decalcify (Eliminar el sarro).

## Ubicaciones de la etiqueta de datos nominales y del diagrama de cableado

Las etiquetas de datos nominales contienen los números de modelo y serie. Puede encontrar esta información en la parte inferior de la estructura delantera, detrás de la puerta del horno.

Los diagramas y los esquemas de cableado eléctrico se encuentran en la parte trasera del aparato y puede retirarlos solo un técnico de servicio, que debe devolverlos a su lugar después de su uso.



## Información del servicio técnico

Las reparaciones solo deben ser realizadas por un técnico de servicio capacitado. La reparación inadecuada de su aparato puede provocar riesgo de lesiones físicas graves o la muerte.

Para consultar a un representante de servicio técnico, consulte la información de contacto que aparece en la contraportada del manual. Independiente de si nos escribe o nos llama, indíquenos el número de modelo, el número de serie y la fecha de compra original.

Para una referencia rápida, copie la información que se encuentra a continuación de la placa de datos nominales. Conserve su factura para la validación de la garantía.

Número de modelo \_\_\_\_\_

Número de serie \_\_\_\_\_

Fecha de compra \_\_\_\_\_

Nombre del distribuidor \_\_\_\_\_

Número de teléfono del distribuidor \_\_\_\_\_

Nombre del centro de servicio técnico \_\_\_\_\_

Número de teléfono del centro de servicio técnico \_\_\_\_\_

También, ingrese esta información en el formulario de registro del producto que se incluye con este producto y, luego, envíelo por correo a la dirección indicada.

Registre su producto de BSH para garantizar un servicio técnico oportuno y acceso a la información relacionada con su producto. Puede registrar su producto a través de una de las siguientes maneras:

1. Envíe por correo la tarjeta de registro del producto THERMADOR® completada.
2. Registre su producto en línea en [www.thermador.com](http://www.thermador.com).
3. Llámenos al Servicio de Atención al Cliente de THERMADOR al 1-800-735-4328.

# Declaración de Garantía Limitada del Producto

## Qué cubre esta garantía y a quiénes se aplica

La garantía limitada otorgada por BSH Home Appliances Corporation (BSH) en esta Declaración de Garantía Limitada del Producto se aplica únicamente al aparato THERMADOR® vendido a usted, el primer comprador usuario, condicionada estrictamente a que el Producto haya sido comprado:

- Para uso doméstico (no comercial) normal y haya sido utilizado en todo momento únicamente para fines domésticos normales.
- Nuevo en una tienda minorista (que no sea un producto de exhibición, ni un producto vendido “en las condiciones en que se encuentra” ni un modelo devuelto anteriormente) y no esté destinado para reventa ni uso comercial.
- Dentro de los Estados Unidos o Canadá, y permanezca en todo momento dentro del país de compra original.

Las garantías incluidas en el presente se aplican únicamente al primer comprador del Producto y no son transferibles.

Asegúrese de devolver su tarjeta de registro; si bien no es necesario para hacer efectiva la cobertura de la garantía, es la mejor manera para que BSH le notifique en el caso poco probable de que se emita un aviso de seguridad o se retire del mercado un producto.

## Plazo de vigencia de la garantía

**Producto fabricado antes del 1 de enero de 2012 con un número de FD911299999 o menor:** BSH garantiza que el Producto no tendrá defectos en los materiales ni en la mano de obra durante un período de trescientos sesenta y cinco (365) días a partir de la fecha de compra. El período precedente comienza a regir a partir de la fecha de compra y no se interrumpirá, dejará sin efecto, extenderá ni suspenderá por ningún motivo.

**Producto fabricado después del 1 de enero de 2012 con un número de FD920100000 o mayor:** BSH garantiza que el Producto no tendrá defectos en los materiales ni en la mano de obra durante un período de setecientos treinta (730) días a partir de la fecha de compra. El período precedente comienza a regir a partir de la fecha de compra y no se interrumpirá, dejará sin efecto, extenderá ni suspenderá por ningún motivo.

## Reparación/Reemplazo como único recurso

Durante el período de esta garantía, BSH o uno de sus proveedores de servicio técnico autorizados reparará su Producto sin cargo para usted (con sujeción a determinadas limitaciones especificadas en el presente) si se prueba que su Producto ha sido fabricado con un defecto en los materiales o en la mano de obra. Si se ha intentado reparar el Producto sin éxito una cantidad razonable de veces, BSH reemplazará su Producto (es posible que tenga a su disposición modelos mejorados, a entera discreción de BSH, por un cargo adicional). Todas las piezas y los componentes extraídos serán propiedad de BSH, a su entera discreción. Todas las piezas reemplazadas y/o reparadas se considerarán como la pieza original a los fines de esta garantía, y esta garantía no se extenderá con respecto a dichas piezas. En virtud del presente documento, la única responsabilidad y obligación de BSH consiste en reparar el Producto defectuoso de fábrica, a través de un proveedor de servicio técnico autorizado por BSH durante el horario normal de oficina. Por cuestiones de seguridad y daños materiales, BSH recomienda categóricamente que no intente reparar el Producto por su cuenta ni use un centro de servicio técnico no autorizado; BSH no tendrá ninguna responsabilidad ni obligación por reparaciones o trabajos realizados por un proveedor de servicio técnico no autorizado. Si usted prefiere que una persona que no es un proveedor de servicio técnico autorizado trabaje en su Producto, **ESTA GARANTÍA SE ANULARÁ AUTOMÁTICAMENTE.** Los proveedores de servicio técnico autorizados son aquellas personas o compañías que han sido especialmente capacitadas para manejar los productos de BSH y que tienen, según el criterio de BSH, una reputación superior de servicio al cliente y capacidad técnica (tenga en cuenta que son entidades independientes y no son agentes, socios, afiliados ni representantes de BSH). Independientemente de lo antedicho, BSH no tendrá responsabilidad ni obligación alguna por el Producto que se encuentre en un área remota (a más de 100 millas de un proveedor de servicio técnico autorizado) o en un lugar, área circundante o entorno que no sea accesible por medios razonables o que sea peligroso, hostil o arriesgado; en cualquier caso, a su pedido, BSH de todas maneras pagará por la mano de obra y las piezas, y enviará las piezas al proveedor de servicio técnico autorizado más cercano, pero usted seguirá siendo totalmente responsable por el tiempo de viaje y demás cargos especiales de la compañía de servicio técnico, siempre que esta acepte realizar la visita de servicio técnico.

## Producto fuera de la garantía

BSH no tiene obligación alguna, en virtud de la ley o por otro motivo, de otorgarle ninguna concesión, incluidos reparaciones, prorratesos o reemplazo del Producto, con posterioridad al vencimiento de la garantía.

## Exclusiones de la garantía

La cobertura de garantía descrita en el presente excluye todos los defectos o daños que no fueron provocados directamente por BSH, incluidos, entre otros, alguno de los siguientes:

- Uso del Producto de maneras distintas del uso normal, habitual y previsto (incluidos, entre otros, cualquier forma de uso comercial, uso o almacenamiento en exteriores de un producto diseñado para interiores, uso del Producto en aeronaves o embarcaciones).
- Conducta indebida, negligencia, uso indebido, abuso, accidentes, descuido, operación inadecuada, omisión de mantener, instalación inadecuada o negligente, adulteración, omisión de seguir las instrucciones de operación, manipulación inadecuada, servicio técnico no autorizado (incluidos "arreglos" o exploración de los mecanismos internos del aparato realizados por uno mismo) por parte de cualquier persona.
- Ajuste, alteración o modificación de cualquier tipo.
- Incumplimiento de los códigos, reglamentaciones o leyes de electricidad, plomería y/o construcción estatales, locales, municipales o de condado, incluida la omisión de instalar el producto cumpliendo estrictamente con los códigos y reglamentaciones locales de construcción y protección contra incendios.
- Desgaste habitual, derrames de alimentos, líquidos, acumulaciones de grasa u otras sustancias que se acumulen sobre el Producto, dentro o alrededor de este.
- Y cualquier fuerza y factor externo, elemental y/o ambiental, incluidos, entre otros, lluvia, viento, arena, inundaciones, incendios, aludes de lodo, temperaturas bajas extremas, humedad excesiva o exposición prolongada a la humedad, rayos, sobrecargas eléctricas, fallas estructurales alrededor del aparato y caso fortuito.

En ningún caso, BSH tendrá responsabilidad ni obligación alguna por los daños ocasionados a los bienes circundantes, incluidos los gabinetes, pisos, techos y demás estructuras u objetos que se encuentren alrededor del Producto. También se excluyen de esta garantía las rayas, hendiduras, abolladuras menores y daños estéticos en superficies externas y piezas expuestas; los Productos en los cuales los números de serie hayan sido alterados, modificados o eliminados; las visitas del servicio técnico para enseñarle a usar el Producto o las visitas en las que se determine que no hay ningún problema con el Producto; la corrección de los problemas de instalación (usted es el único responsable de cualquier estructura y soporte del Producto, incluidas todas las instalaciones de electricidad y

plomería o demás instalaciones de conexión, de la correcta instalación en bases/pisos y de cualquier alteración, incluidos, a modo de ejemplo, gabinetes, paredes, pisos, repisas, etc.); y el restablecimiento de disyuntores o fusibles.

EN LA MEDIDA PERMITIDA POR LA LEY, ESTA GARANTÍA ESTABLECE SUS RECURSOS EXCLUSIVOS CON RESPECTO AL PRODUCTO, INDEPENDIENTEMENTE DE QUE LA RECLAMACIÓN SEA CONTRACTUAL O EXTRA CONTRACTUAL (INCLUIDA LA RESPONSABILIDAD OBJETIVA O LA NEGLIGENCIA), O DE CUALQUIER OTRO MODO. ESTA GARANTÍA REEMPLAZA TODAS LAS DEMÁS GARANTÍAS EXPRESAS O IMPLÍCITAS. LAS GARANTÍAS IMPLÍCITAS POR LEY, YA SEA DE COMERCIALIZACIÓN O DE APTITUD PARA UN FIN ESPECÍFICO, O DE CUALQUIER OTRO TIPO, TENDRÁN VIGENCIA ÚNICAMENTE POR EL PERÍODO DE VIGENCIA DE LA PRESENTE GARANTÍA LIMITADA EXPRESA. EN NINGÚN CASO SERÁ EL FABRICANTE RESPONSABLE POR LOS DAÑOS CONSECUENTES, ESPECIALES, INCIDENTALES, INDIRECTOS, POR "PÉRDIDAS COMERCIALES" Y/O DAÑOS PUNITIVOS, PÉRDIDAS O GASTOS, INCLUIDOS, ENTRE OTROS, TIEMPO FUERA DEL TRABAJO, HOTELES Y/O COMIDAS EN RESTAURANTES, GASTOS DE REMODELACIÓN QUE SUPEREN LOS DAÑOS DIRECTOS, QUE DEFINITIVAMENTE HAYAN SIDO PROVOCADOS DE MANERA EXCLUSIVA POR BSH O DE OTRO MODO. ALGUNOS ESTADOS NO PERMITEN LA EXCLUSIÓN O LIMITACIÓN DE DAÑOS INCIDENTALES O CONSECUENTES, Y ALGUNOS ESTADOS NO PERMITEN LIMITACIONES CON RESPECTO AL PLAZO DE VIGENCIA DE UNA GARANTÍA IMPLÍCITA; POR LO TANTO, ES POSIBLE QUE LAS LIMITACIONES PRECEDENTES NO SE APLIQUEN. ESTA GARANTÍA LE OTORGA DERECHOS LEGALES ESPECÍFICOS, Y TAMBIÉN PUEDEN CORRESPONDERLE OTROS DERECHOS QUE PUEDEN VARIAR SEGÚN EL ESTADO.

Ningún intento de alterar, modificar o enmendar la presente garantía entrará en vigencia, a menos que fuera autorizado por escrito por un ejecutivo de BSH.

**Nos reservamos el derecho de realizar modificaciones al Producto o a este manual sin notificación.**

We reserve the right to change specifications or design without notice.

Some models are certified for use in Canada. THERMADOR<sup>®</sup> is not responsible for products which are transported from the U.S. for use in Canada. Check with your local Canadian distributor or dealer.

---

Nous nous réservons le droit de changer les spécifications ou la conception de nos appareils sans préavis.

Certains modèles sont certifiés pour une utilisation au Canada. THERMADOR<sup>mc</sup> n'est pas responsable des produits transportés à partir des États-Unis pour une utilisation au Canada. Informez-vous auprès de votre distributeur ou détaillant local (Canada).

---

Nos reservamos el derecho a cambiar las especificaciones o el diseño de nuestros aparatos sin previo aviso.

Algunos modelos están aprobados para un uso en Canadá. THERMADOR<sup>®</sup> no es responsable de los productos transportados desde Estados Unidos para un uso en Canadá. Infórmese con su distribuidor o minorista local (Canadá).

# THERMADOR® Service/Entretien/Mantenimiento

## Service

We realize that you have made a considerable investment in your kitchen. We are dedicated to supporting you and your appliance so that you have many years of creative cooking.

Please don't hesitate to contact our excellent STAR™ Customer Support Department if you have any questions or in the unlikely event that your THERMADOR® appliance needs service. Our service team is ready to assist you.

**USA:**  
**800-735-4328**  
[www.thermador.com/support](http://www.thermador.com/support)

**Canada:**  
**800-735-4328**  
[www.thermador.ca](http://www.thermador.ca)

## Parts & Accessories

Parts, filters, descalers, stainless steel cleaners and more can be purchased in the THERMADOR eShop or by phone.

**USA:**  
[www.thermador-eshop.com](http://www.thermador-eshop.com)

**Canada:**  
**Marcone 800-287-1627**  
or  
**Reliable Parts 800-663-6060**

## Entretien

Nous savons bien que vous avez investi une somme considérable dans votre cuisine. Nous nous faisons un devoir de vous soutenir pour que vous puissiez profiter pleinement d'une cuisine où vous pourrez exprimer toute votre créativité de nombreuses années durant.

N'hésitez pas à communiquer avec l'un des membres chevronnés de notre équipe de soutien au client si vous avez des questions ou dans le cas plutôt improbable où votre appareil THERMADOR<sup>MC</sup> aurait besoin d'entretien. Notre équipe sera prête à vous aider.

**USA:**  
**800-735-4328**  
[www.thermador.com/support](http://www.thermador.com/support)

**Canada:**  
**800-735-4328**  
[www.thermador.ca](http://www.thermador.ca)

## Pièces et Accessoires

Vous pouvez vous procurer par téléphone ou à notre boutique THERMADOR en ligne des pièces, des filtres, des produits nettoyants pour acier inoxydable et plus encore.

**USA:**  
[www.thermador-eshop.com](http://www.thermador-eshop.com)

**Canada:**  
**Marcone 800-287-1627**  
or  
**Reliable Parts 800-663-6060**

## Mantenimiento

Nos damos cuenta que Usted invirtió una suma considerable en su cocina. Nos dedicamos a atenderle para que pueda sacar provecho de una cocina donde podrá expresar toda su creatividad durante muchos años.

Por favor, no dude en ponerse en contacto con uno de nuestros empleados ESTRELLAS™ de atención al cliente si tiene preguntas o en el caso más bien improbable que su aparato THERMADOR® necesite mantenimiento. Nuestro equipo estará listo para ayudarle.

**USA:**  
**800-735-4328**  
[www.thermador.com/support](http://www.thermador.com/support)

**Canada:**  
**800-735-4328**  
[www.thermador.ca](http://www.thermador.ca)

## Piezas y Accesorios

Usted puede comprar piezas, filtros, productos de limpieza para acero inoxidable por teléfono o en nuestra tienda THERMADOR en línea.

**USA:**  
[www.thermador-eshop.com](http://www.thermador-eshop.com)

**Canada:**  
**Marcone 800-287-1627**  
or  
**Reliable Parts 800-663-6060**

**Thermador** 

**REAL INNOVATIONS FOR REAL COOKS®**

1901 Main Street, Suite 600, Irvine, CA 92614 • 800-735-4328 • [www.thermador.com](http://www.thermador.com)  
9000873446 • Rev. A • 5U04PM • © BSH Home Appliances Corporation, 7/13